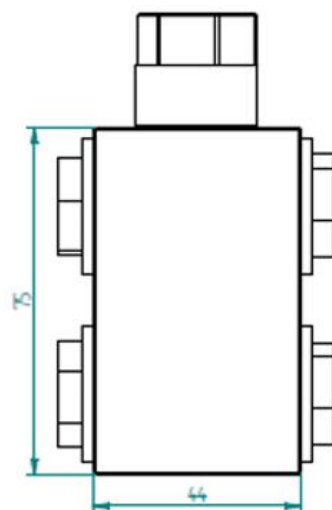
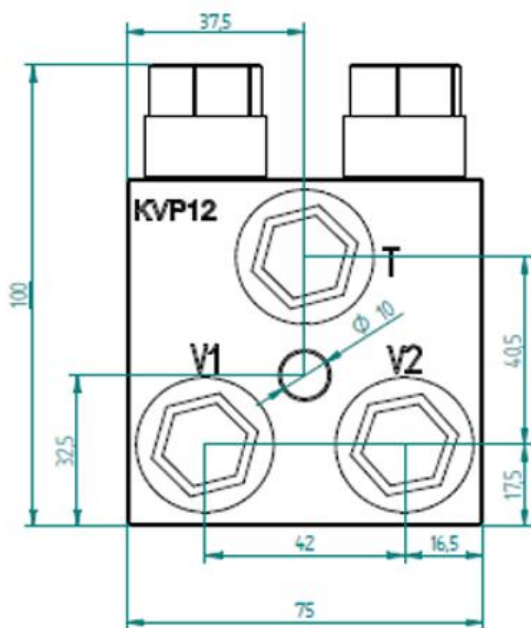
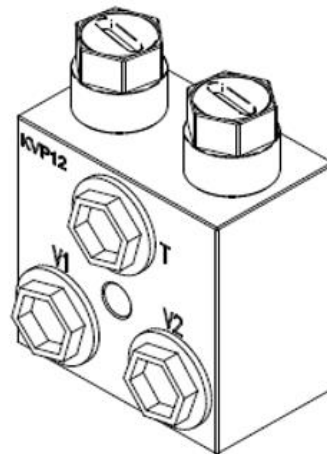
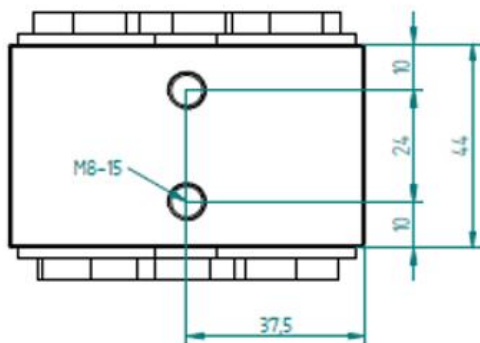
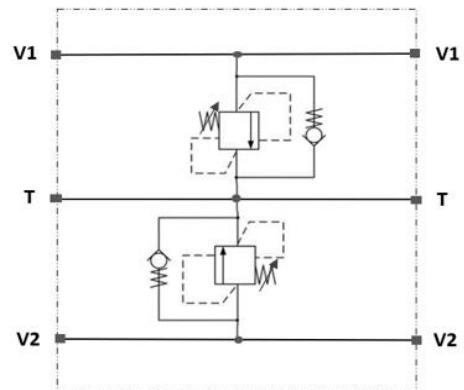


KVP12

Double pressure control valve with tank connection

- connection R1/2"
- flow 60 l/min
- max.pressure 300 bar, adjustment interval 130-180 bar
- no return valves in ports V1 and V2



Piippo Hydraulic: Yrittäjätie 10, 74700 Kiuruvesi FINLAND tel. +35817750500