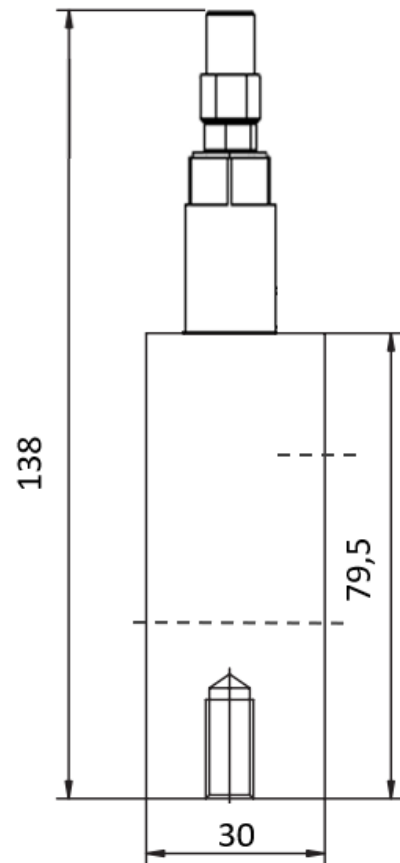
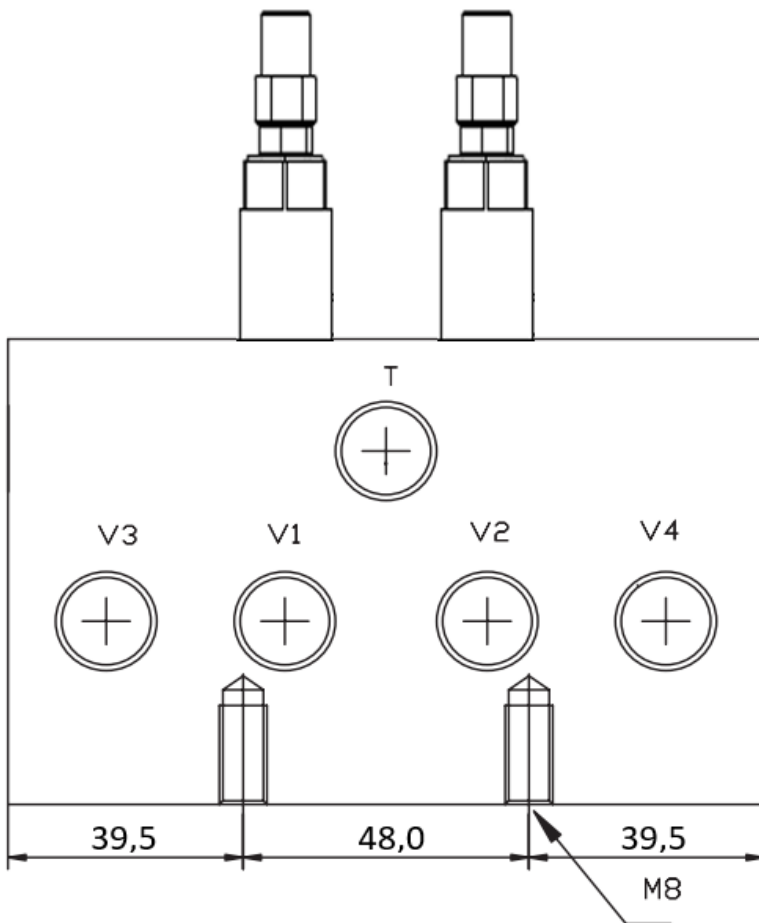
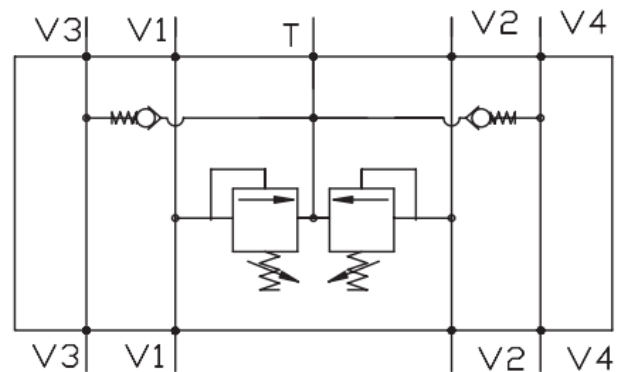


Double pressure control valve with tank connection

- connection R3/8"
- flow 35 l/min
- max.pressure 250 bar, adjustment interval 50-220 bar
- no-return valves in ports V2 and V3



Piippo Hydraulic: Yrittäjätie 10, 74700 Kiuruvesi FINLAND tel. +35817750500