

---

## 1CH/2CH Relay Module

- Module overview

1. The module uses genuine high-quality relay, the maximum load of the normally open interface: AC 250V/10A, DC 30V/10A;
2. Using patch optocoupler isolation, strong driving ability, stable performance; trigger current 5mA;
3. The module working voltage is available in 5V, 9, 12V, 24V;
4. The module can be triggered by a jumper to set a high level or a low level;
5. Fault-tolerant design, even if the control line is broken, the relay will not move;
6. Power indicator (green), relay status indicator (red);
7. The interface design is user-friendly, and all interfaces can be directly connected through the terminal block, which is very convenient;
8. Module size: 50mm \* 26mm \* 18.5mm (length \* width \* height);
9. With 4 fixing bolt holes, hole 3.1mm, spacing 44.5mm\*20.5mm

- Module interface

### Relay input:

- IN** : Trigger signal
- GND** : DC Power supply negative and signal common
- VCC** : DC Positive power supply

### Relay output:

- NO** : Relay normally open

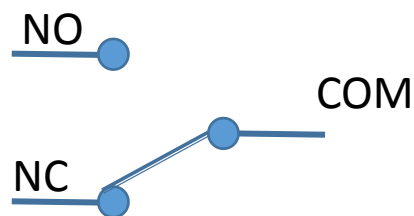
---

**COM** : Relay normally common

**NC** : Relay normally closed

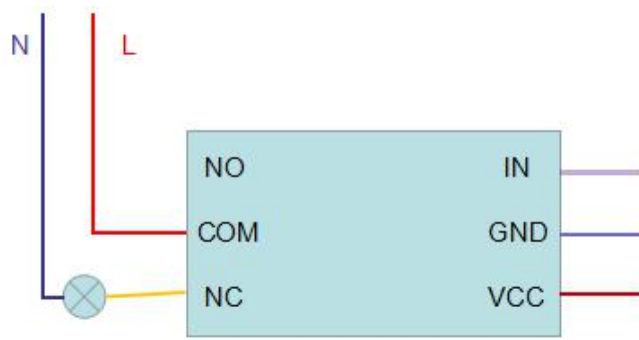
- How to use

1. When the relay is not powered, The **NC** point is connected to the **COM** point .The **NO** point is floating state.The schematic is as follows.



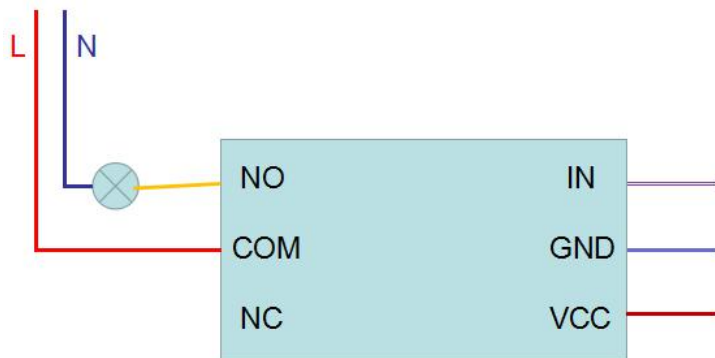
2. For this relay we usually have two ways to use it,we called NC mode and NO mode.

When we need the equipment to work for a long time, but stop working under the specified conditions, we use NC mode.For example, the fan at home needs to work for a long time, but we hope it will stop working for two hours.We enter a low level at IN point to allow the relay to operate in NC mode. Then we input a high level for 2 hours at the IN Point, let the NC point of the relay disconnect from the COM point, and realize the function of powering off the device for 2 hours.



NC mode

When we need the equipment to work for a couple of hours, we use the NO mode. Then we input a high level for couple hours at the IN Point, Then IN Point return to the low state.



NO mode

