

BUY ON

www.cablematic.com

2CH/ 4CH 12V USB Control Relay Module



- **Module Application:**

Home intelligent switch control, hotel intelligent switch, hotel intelligent electrical control, intelligent greenhouse, shopping mall

ntelligent switch, company plant intelligent switch, Internet cafe timing management, karaoke timing control, object network, industrial equipment, test equipment power control, street light management,intelligent management,centralized power management, etc.

- Module description:

1. Onboard square USB interface, stable connection
 2. Use imported high performance USB control chip
 3. Use genuine Songle relay
 4. Military grade PCB board production
 5. 4channels, 8 channels reserved power interface, after connecting the power, even if the computer is turned off or the USB is pulled out from the computer, the relay can also maintain the setting state.
- 1 and 2 channels have no power interface.

Note: Due to the characteristics of the USB protocol, this module is not suitable for use in places with large electromagnetic interference! If you want to use it, please do electromagnetic shielding and buy a good USB data cable with electromagnetic shielding.

- Product parameters

Input voltage: DC 12 V

Input current: greater than 300mA

Wiring method: NC/COM/NO

- Relay parameters

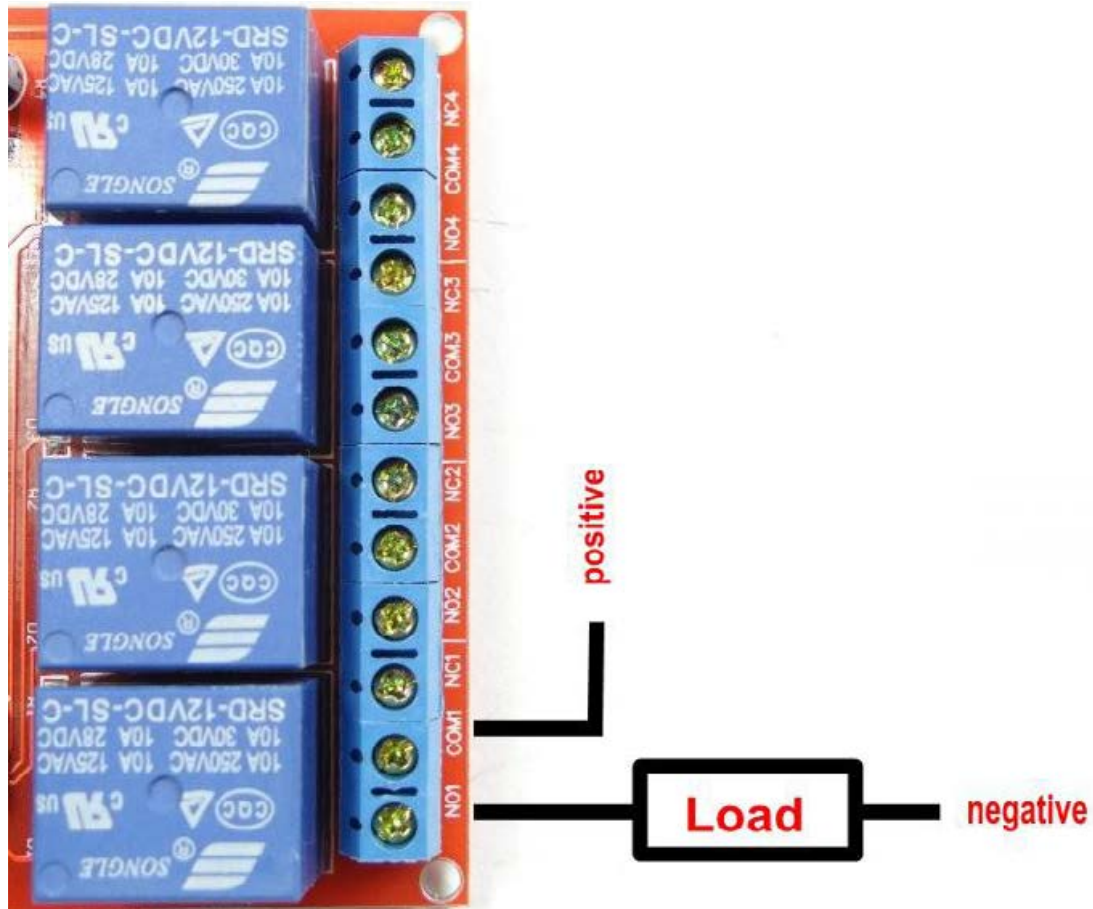
Maximum control AC 250V, 10A AC load and maximum DC30V 10A

DC load

- Wiring Diagram

BUY ON

www.cablematic.com



- Software Interface

1. Green indicates that the relay is closed and red indicates disconnection

2. After the device is turned on, the software automatically obtains the working status of the current relay.

BUY ON

www.cablematic.com

