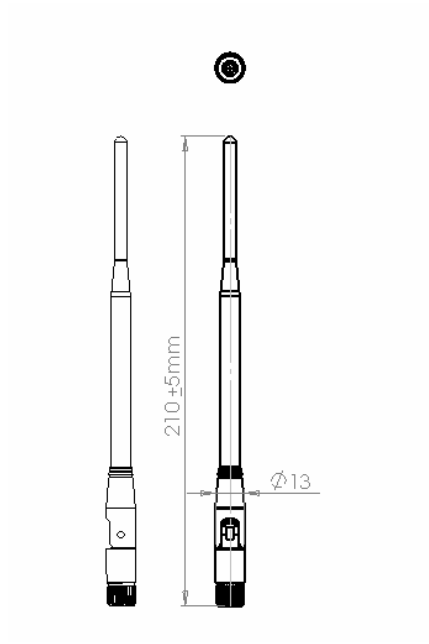


Customer :

Model No. : 1GB-2405S

Description : 2.4GHz SWIVEL ANTENNA

Date : 2006/12/04



Electrical Specifications:

Frequency Range	2.4 ~ 2.4835GHz
VSWR	≤ 2.0
Impedance	50Ω ± 5Ω
Gain	5dBi
Polarization	Vertical
Power Handling	1 Watt
Beam Width	H: 360° / E: 37.7°

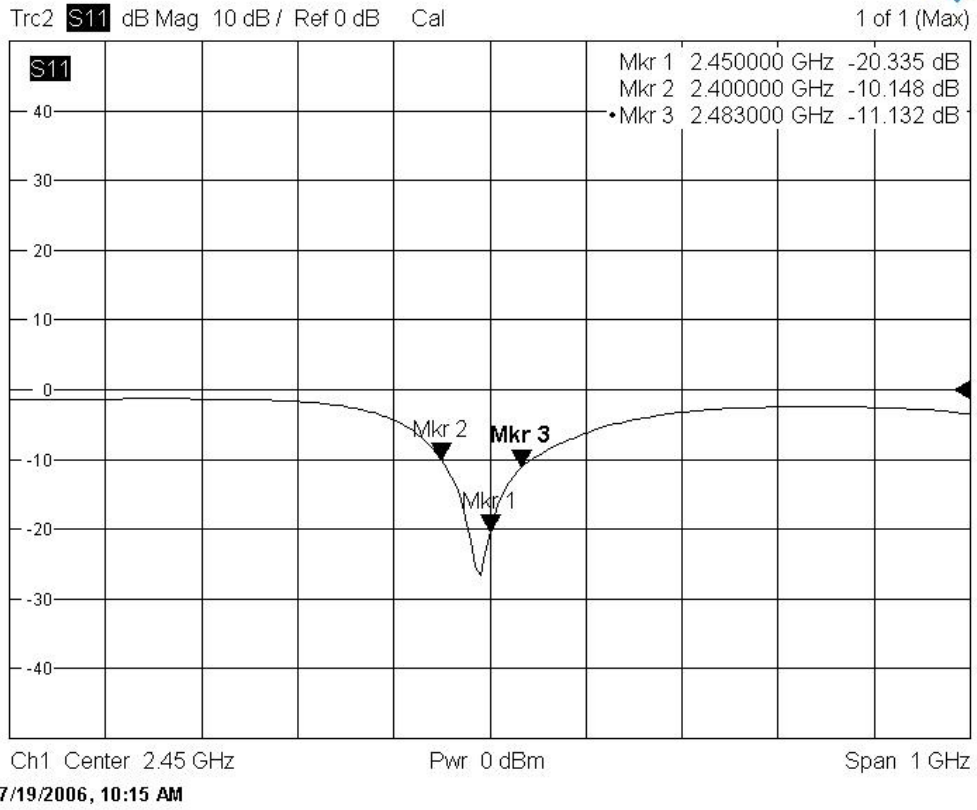
Mechanical Specifications:

Connector	SMA Male RS
Operation Temp.	-30°C ~ +60°C
Material	Radome: ABS Base: ABS
Dimension (L*W*H)	210*13Ø mm
Weight	24g ± 2g
Color	Black

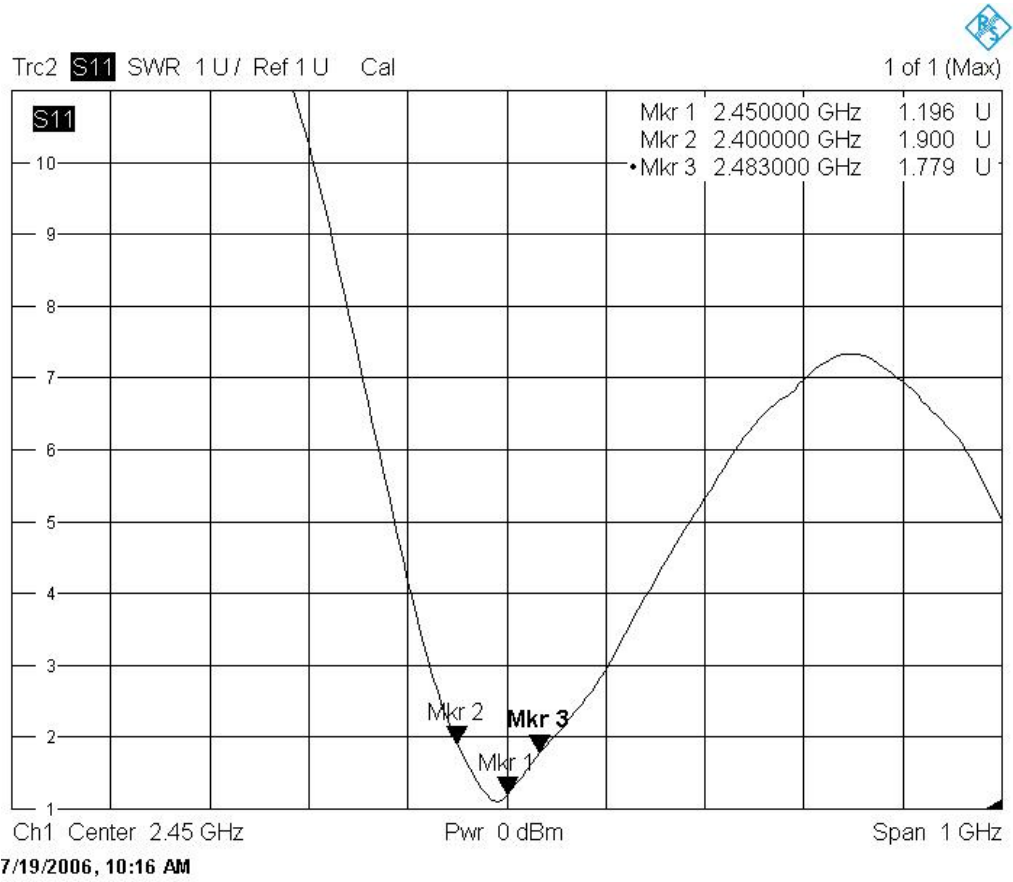
3D Illustration



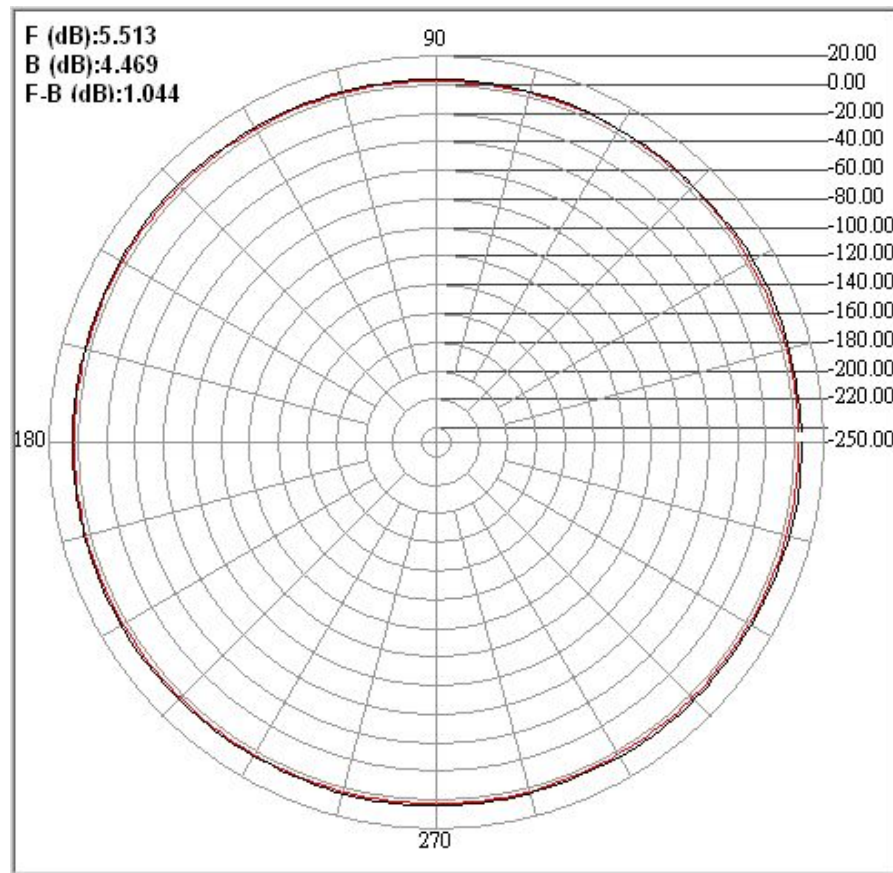
RETURN LOSS



SWR



H-PLANE



E-PLANE

