

Universal User Manual

Smart Plug/Lamp holder/Switch/Controller



Works with Amazon Alexa and Google Assistant

Thank you for choosing our Wi-Fi smart products. This smart product can connect 2.4G Wi-Fi. No matter where you are, as long as there is a network, you can control your devices via smart phone App. The products have timer function and appointment function.

Please read the manual before usage.

Identification of parts:



Specification:

Power supply: AC100V-240V, 50/60Hz

Load current: 10A Resistive Max

WIFI standard: 2.4G 802.11 b/g/n

Operation temperature: -20°C ~ +50°C

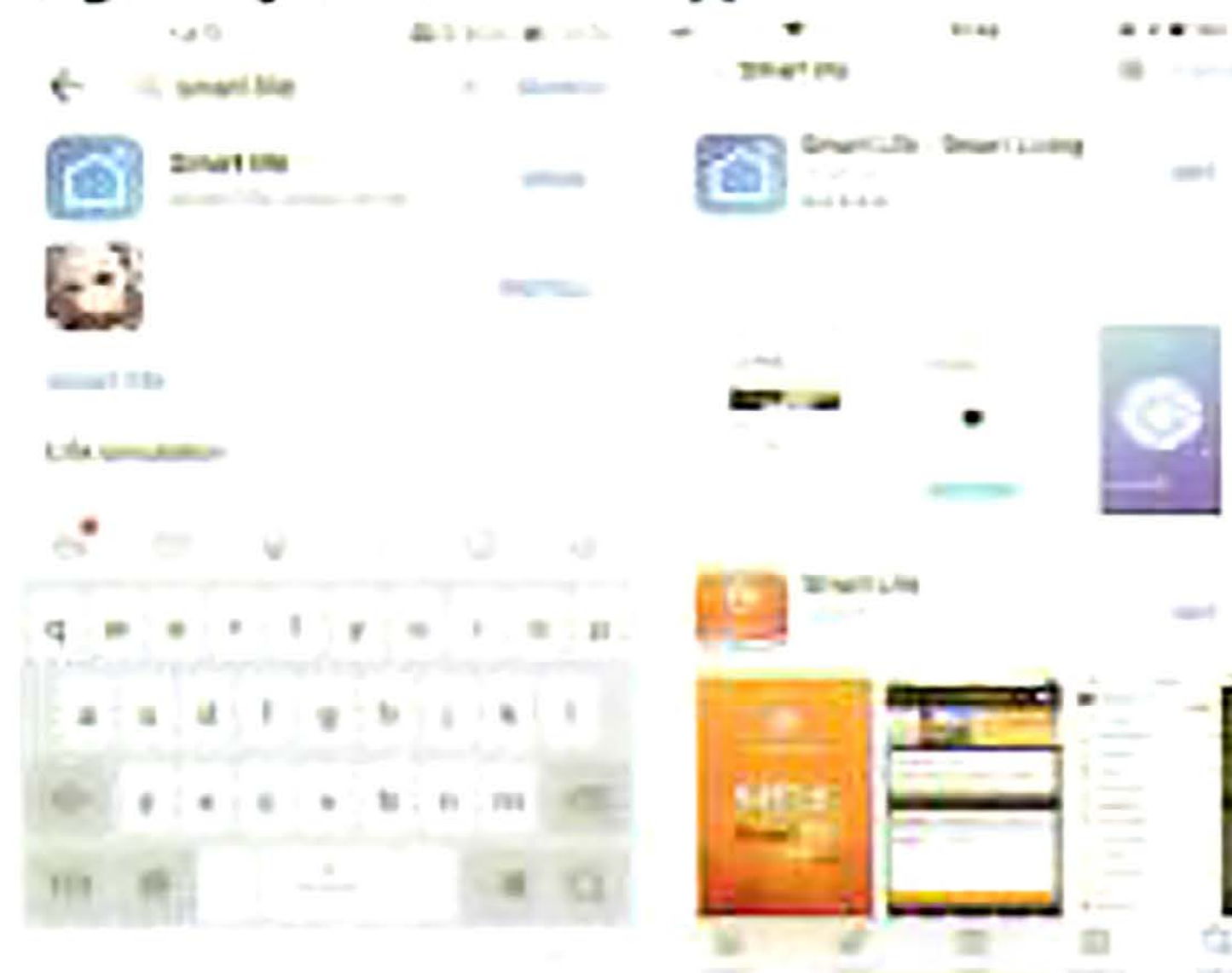
Operation:

1. Down load APP:

You can scan the QR code to down load:



You also can search "Smart Life " in App Store or Google Play to install the App.



Android

2

Apple

How to sync With Amazon Echo

1. Link Smart life account to Echo

>>Go to Home menu on Alexa App.

>>Select "Skills" in Home menu, search.

"Smart Life" on search window.select "Smart Life and tap

"Enable" to enable the Smart Life skill.

>>In link page, type in your Smart Life account & password and tap "link now" to link your Smart life account. Wait until "Alexa has been successfully linked with Smart Life" shows up.

2. Control smart devices through Echo



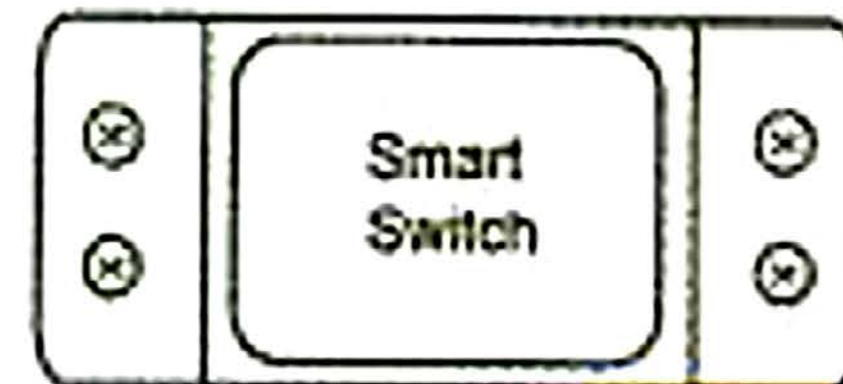
>>Echo needs to discover your smart devices before it controls them. You can say "Alexa, discover devices" to Echo. Echo will discover devices in about 20 seconds.

Now, you can control your smart devices through Echo: "Alexa, turn on/off bedroom light"

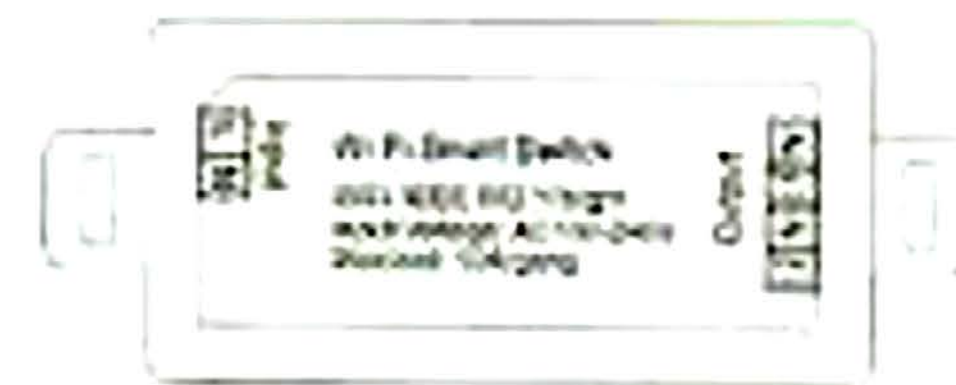
>>If you changed the device's name on Smart Life APP, Echo must re-discover it before you control them.

>>You can set up groups on Alexa App to control.

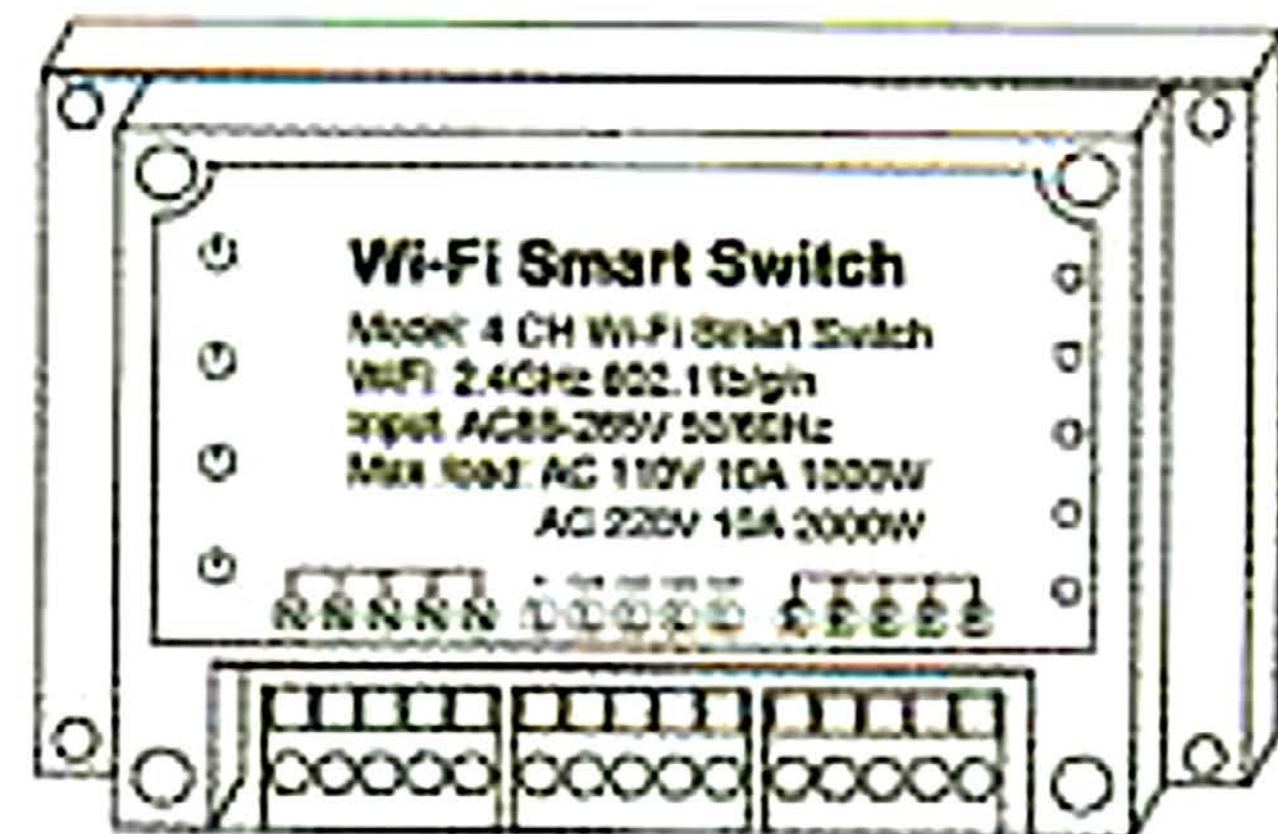
User Manual 1CH/2CH/4CH Smart Breaker



1CH



2CH



4CH

Parameter

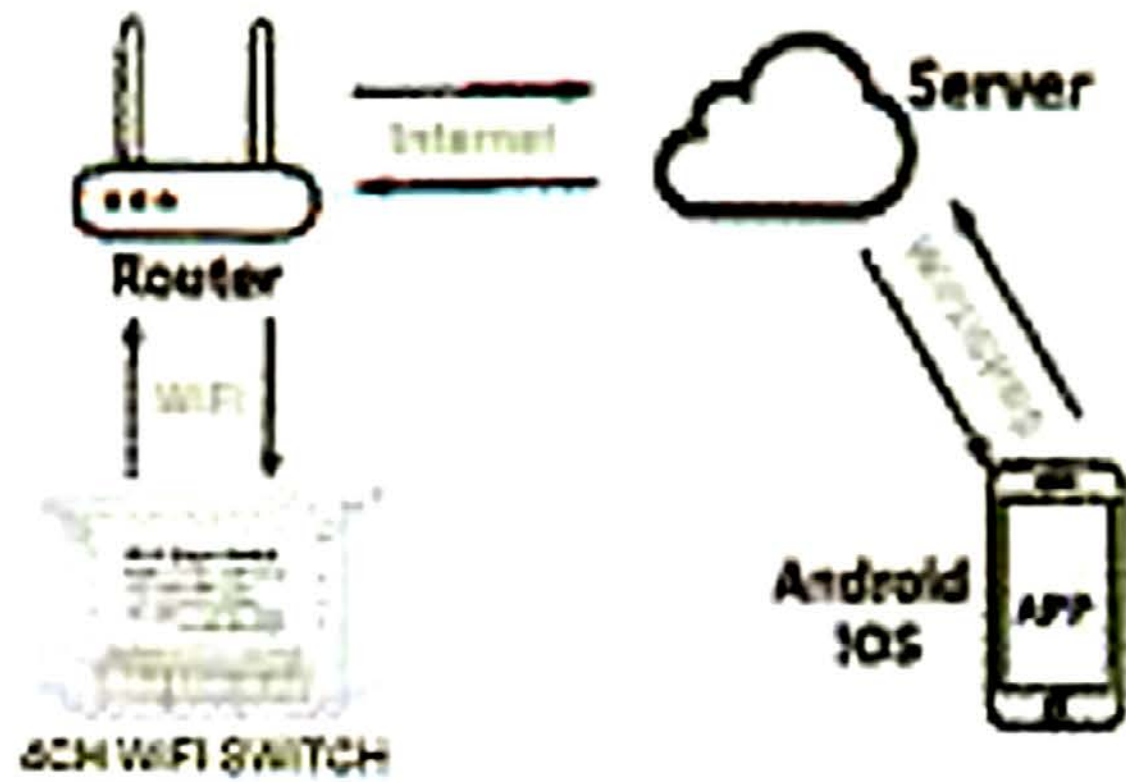
Wi-Fi standard: 2.4GHz b/g/n

Input voltage: 100-240V AC

Output voltage: 100-240V AC

Max. load: 240V 10A/CH

Max. total load: 240V 10A/1CH, 10A/2CH, 16A/4CH.



① Start with "Smart Life" App.



② Register an Smart Life Smart account.

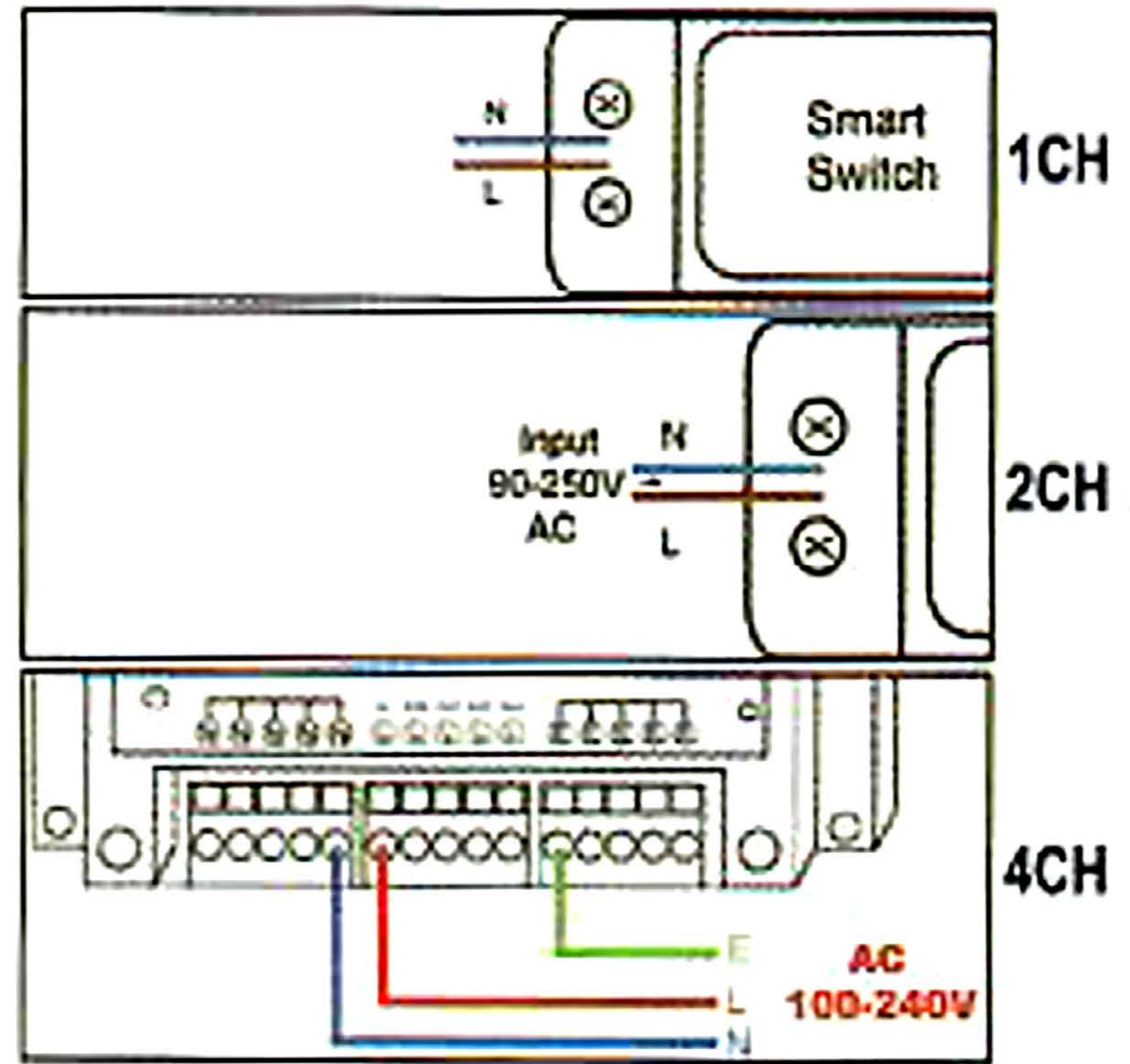
③ IF you have Smart Life account, just log in.



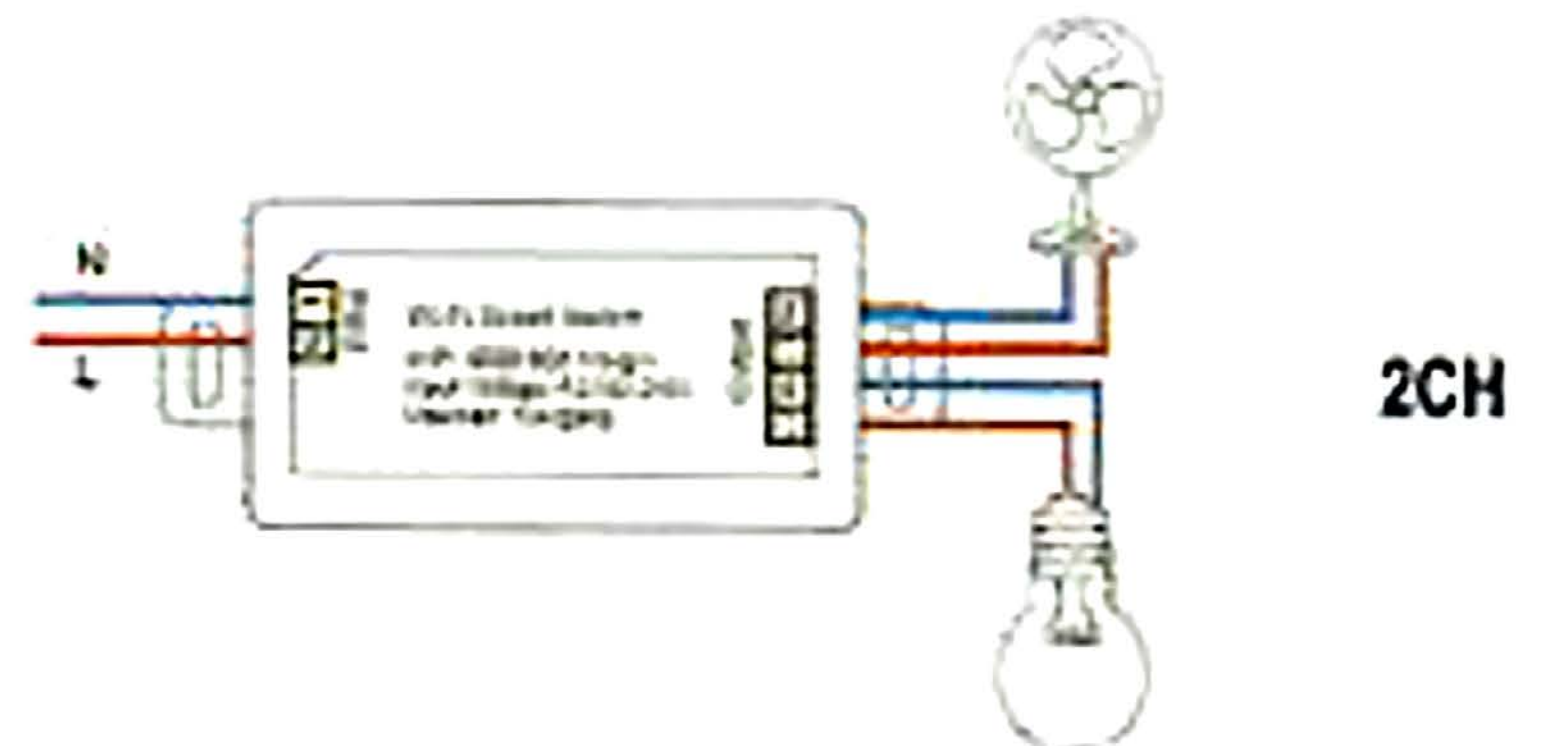
④ Wiring instructions:

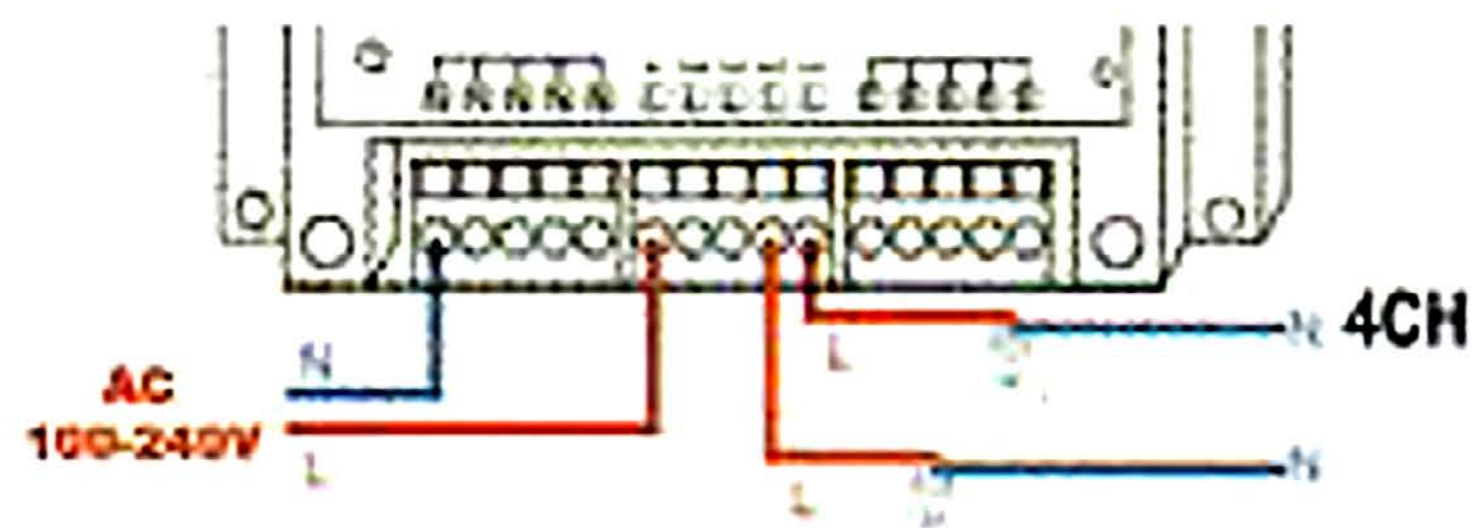
ON/OFF operating principle: The connected appliances work/stop through live wire power on/off.

***Note:** The WiFi Switch must be powered up by N and L wires.

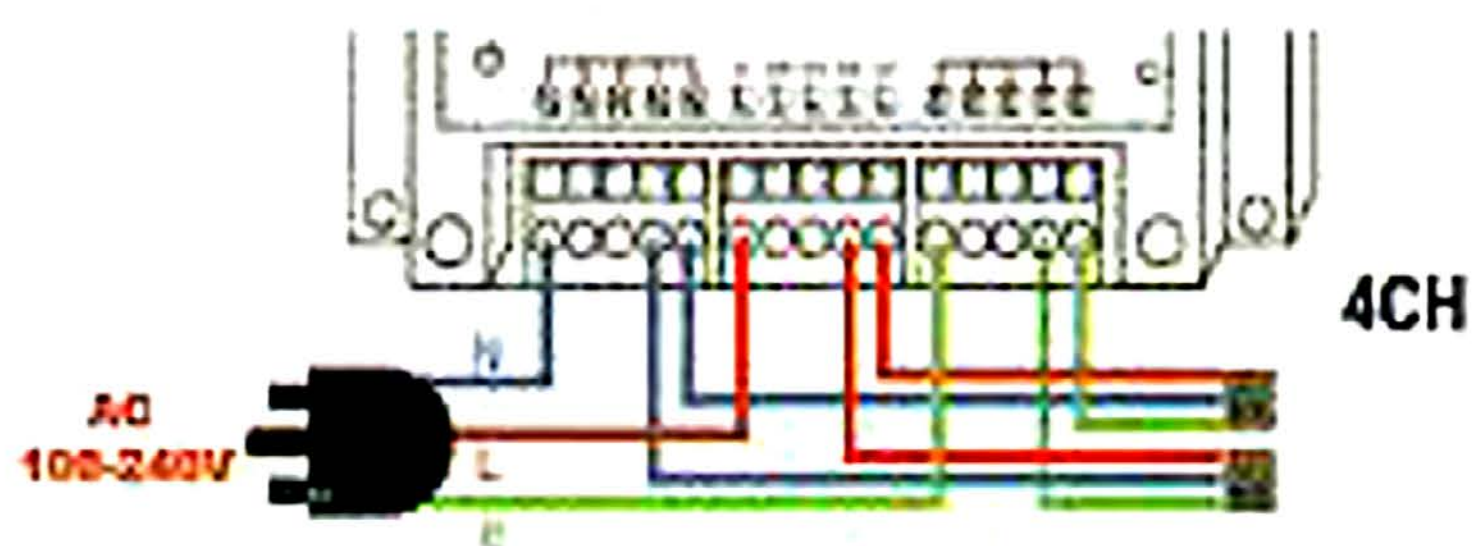


4.1 N+L 2-Wire connection:
(Earth wire is not essential for 4CH, example: lamp/fan)

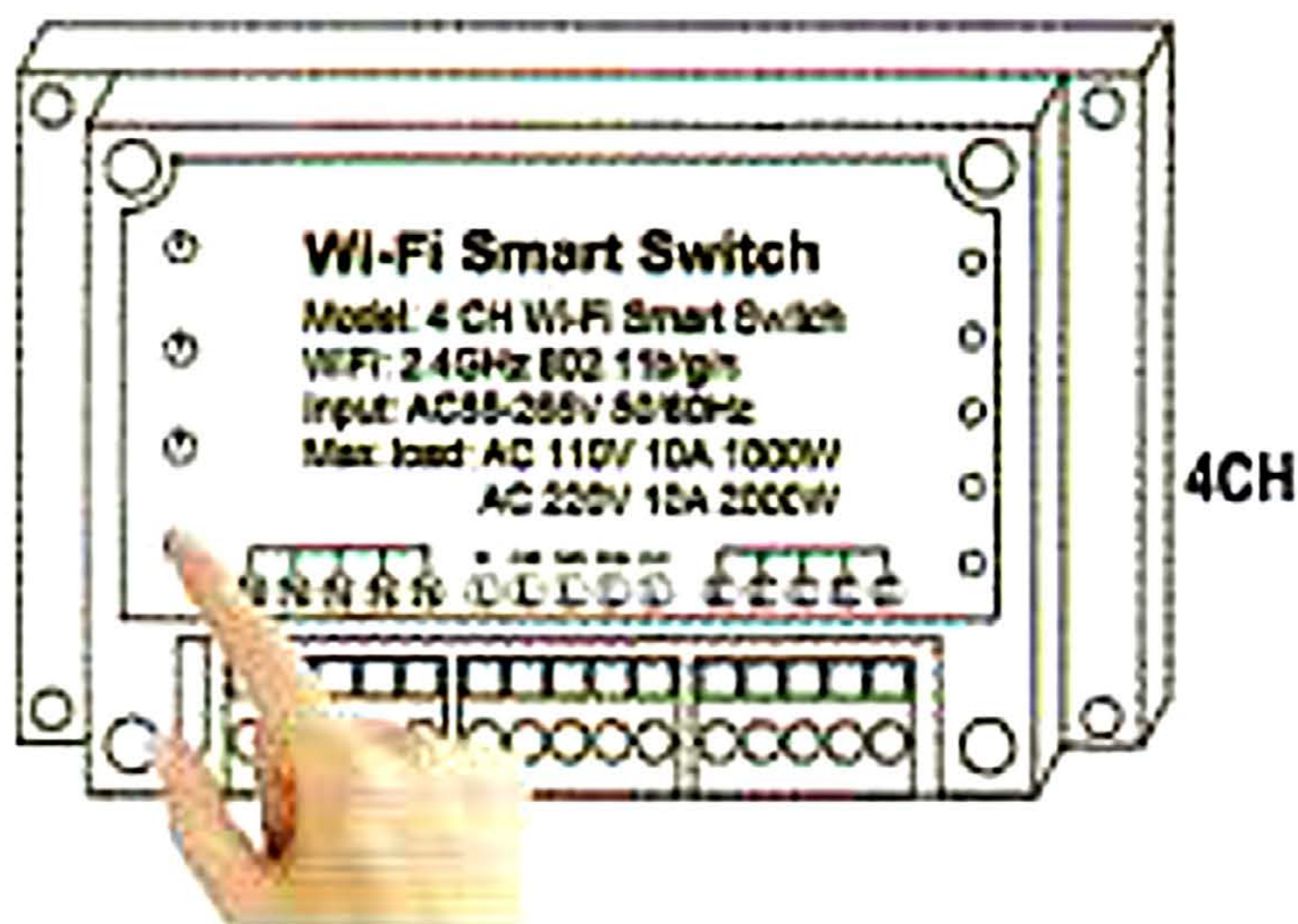
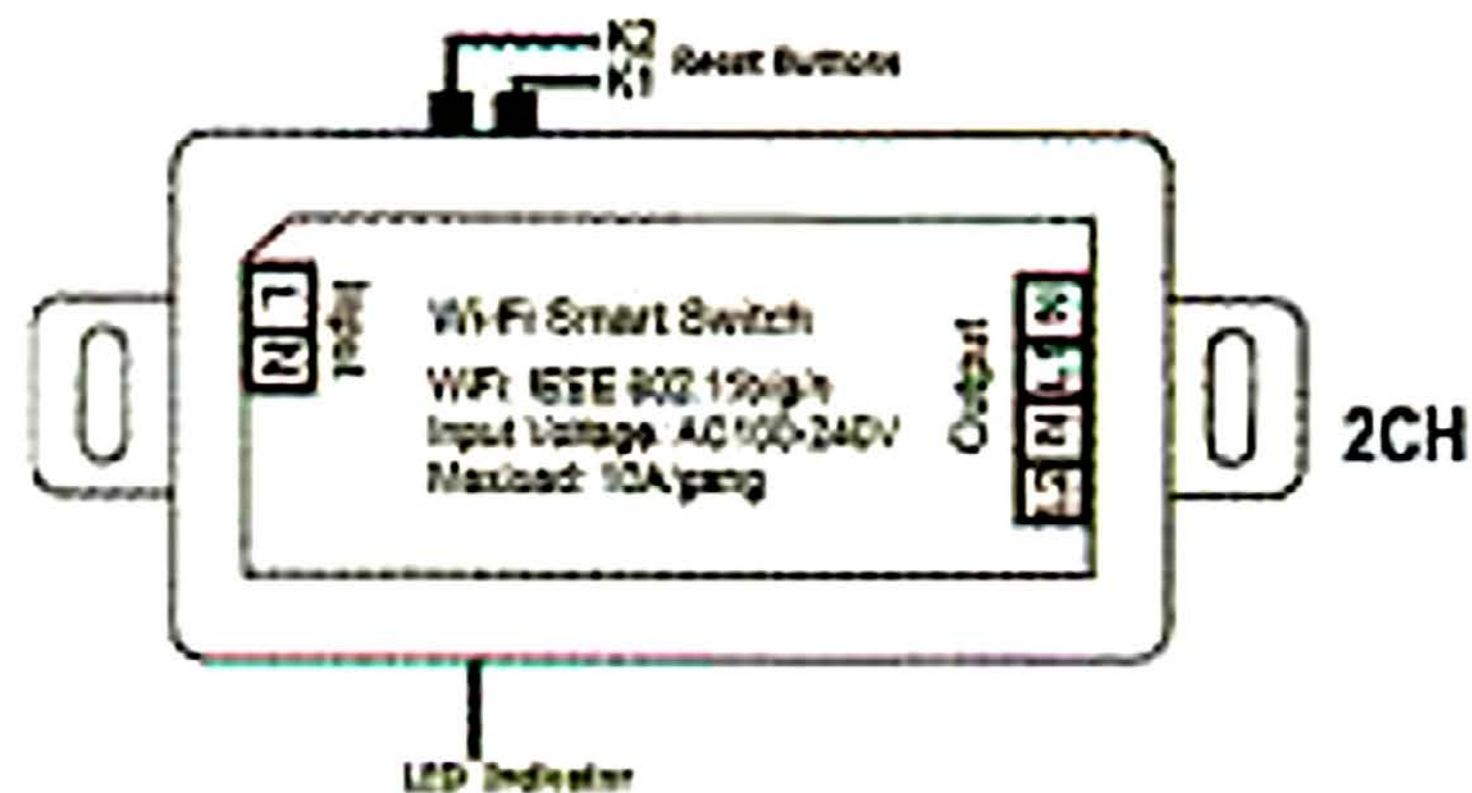
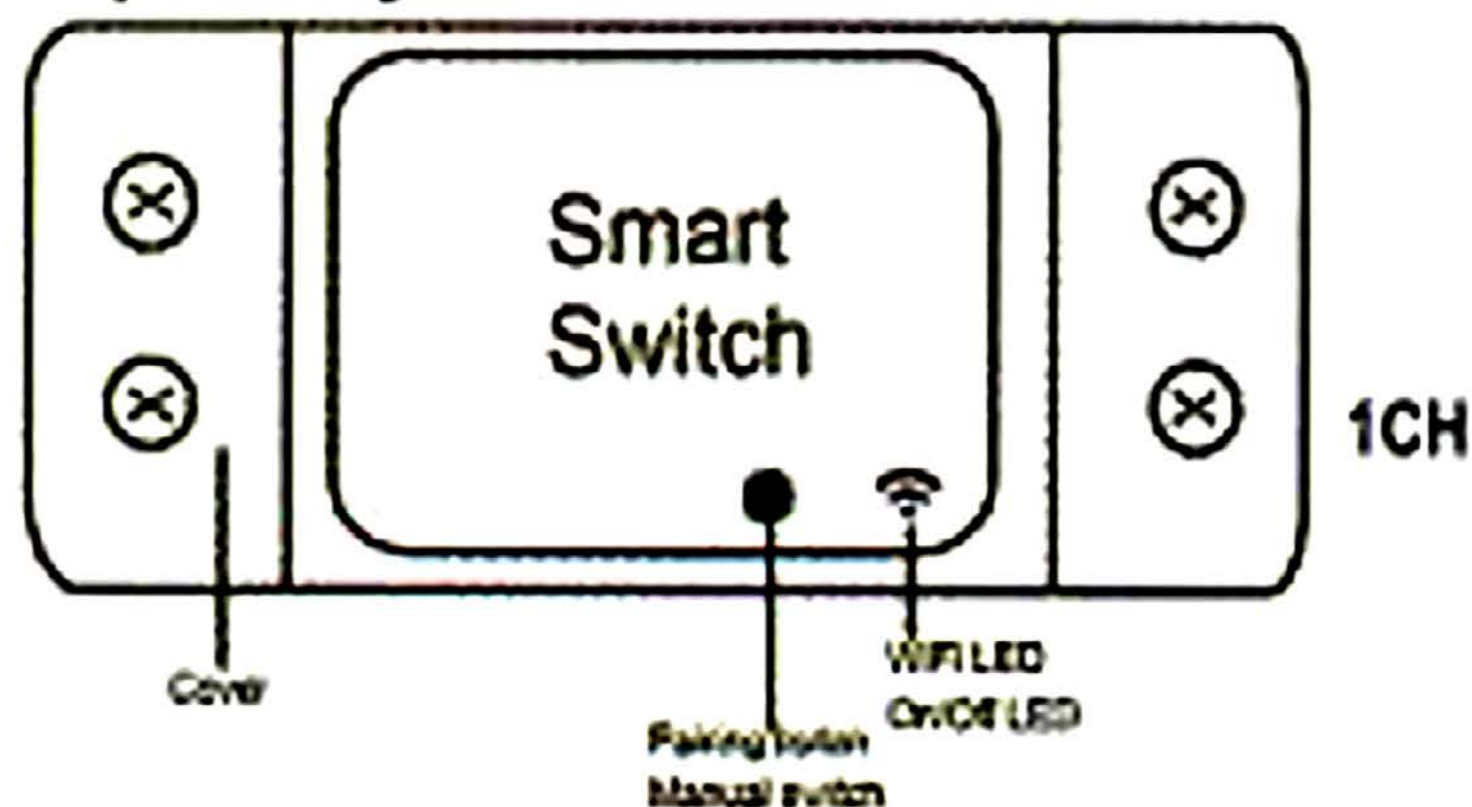




4.2 N+L+E 3-Wire connection:
 ((Earth wire is not needed for 4CH, example:
 refrigerator/heater)



⑤ Press one of the buttons for 7s until the WiFi LED blinks like this: blinks 3 times and on repeatedly.



⑥ Enter the App, tap "+" in the upper right of the page to enter network connection page.

⑦ Please make sure the flashes (2 times per second), tap to go on to the next step.

⑧ Input your WiFi password.

⑨ Name your device.

⑩ When the WiFi LED is on, the device is online. Start to control now!