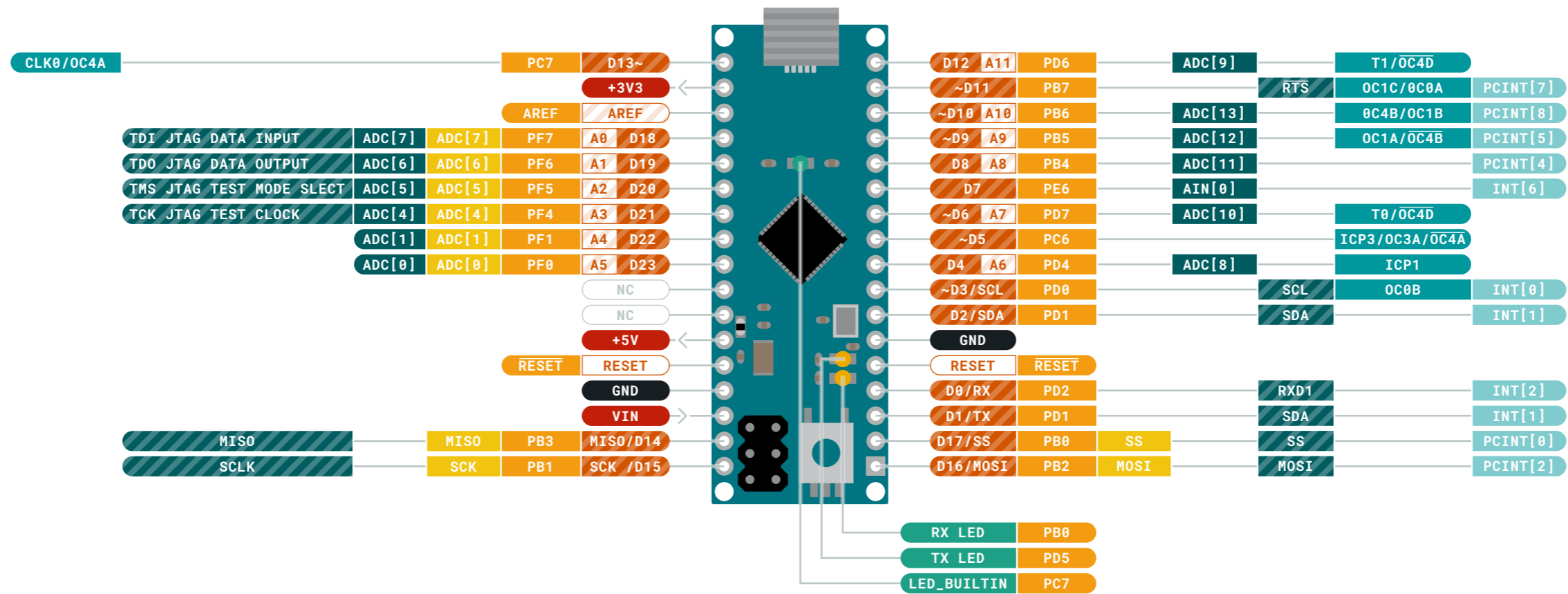


- Ground
- Power
- LED
- Internal Pin
- SWD Pin
- Digital Pin
- Analog Pin
- Other Pin
- Microcontroller's Port
- Default

**!** **MAXIMUM** current per I/O pin is 40mA

**!** **MAXIMUM** current per +3.3V pin is 50mA

**VIN** 6-20 V input to the board.

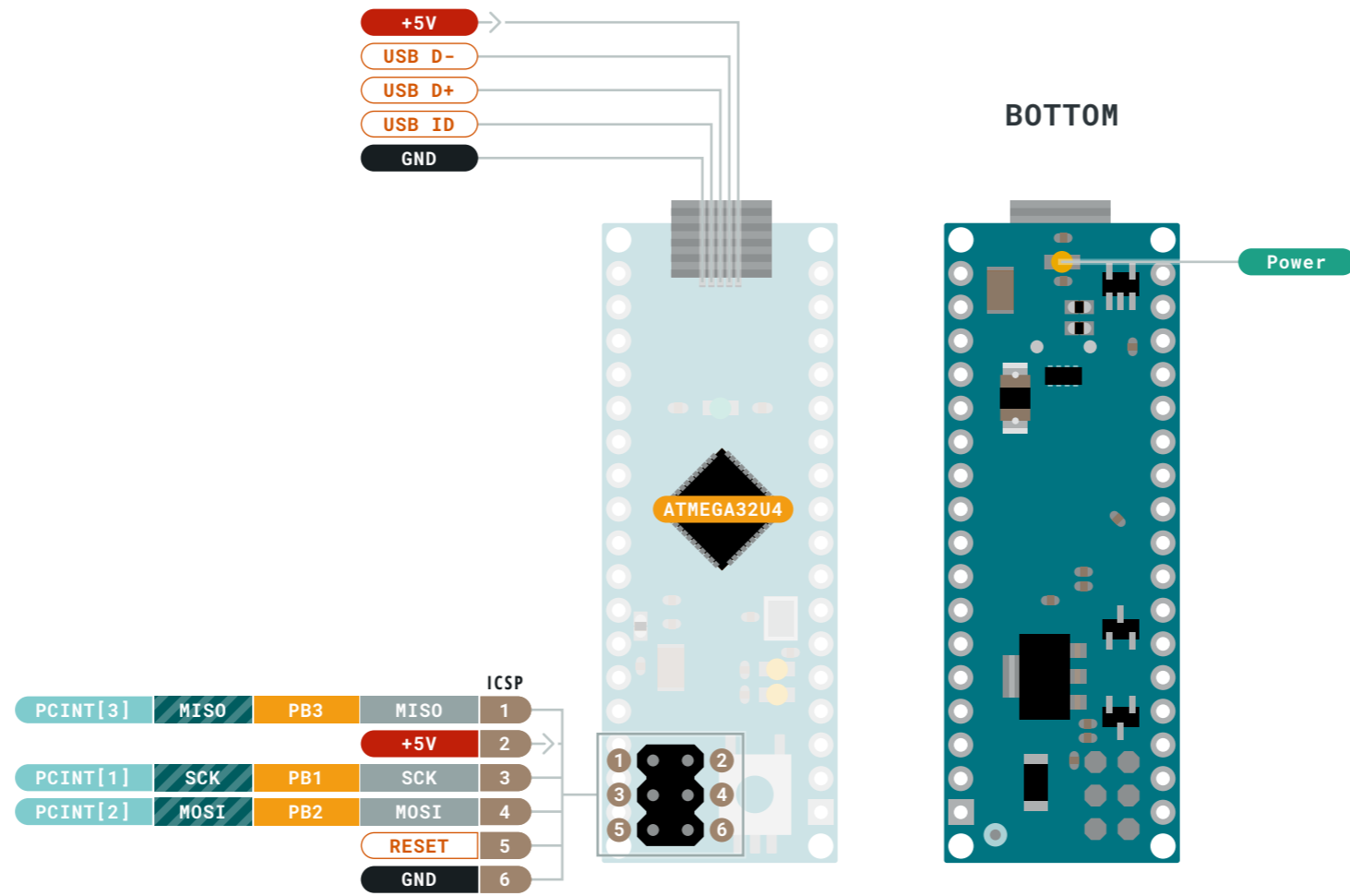


- Ground
- Power
- LED
- Internal Pin
- SWD Pin
- Digital Pin
- Analog Pin
- Other Pin
- Microcontroller's Port
- Default
- Analog
- Communication
- Timer
- Interrupt
- Sercom

**!** **MAXIMUM** current per I/O pin is 40mA

**!** **MAXIMUM** current per +3.3V pin is 50mA

**VIN** 6-20 V input to the board.



- Ground
- Power
- LED
- Internal Pin
- SWD Pin
- Digital Pin
- Analog Pin
- Other Pin
- Microcontroller's Port
- Default
- Analog
- Communication
- Timer
- Interrupt
- Sercom

**⚠️ MAXIMUM** current per I/O pin is 40mA

**⚠️ MAXIMUM** current per +3.3V pin is 50mA

**VIN** 6-20 V input to the board.