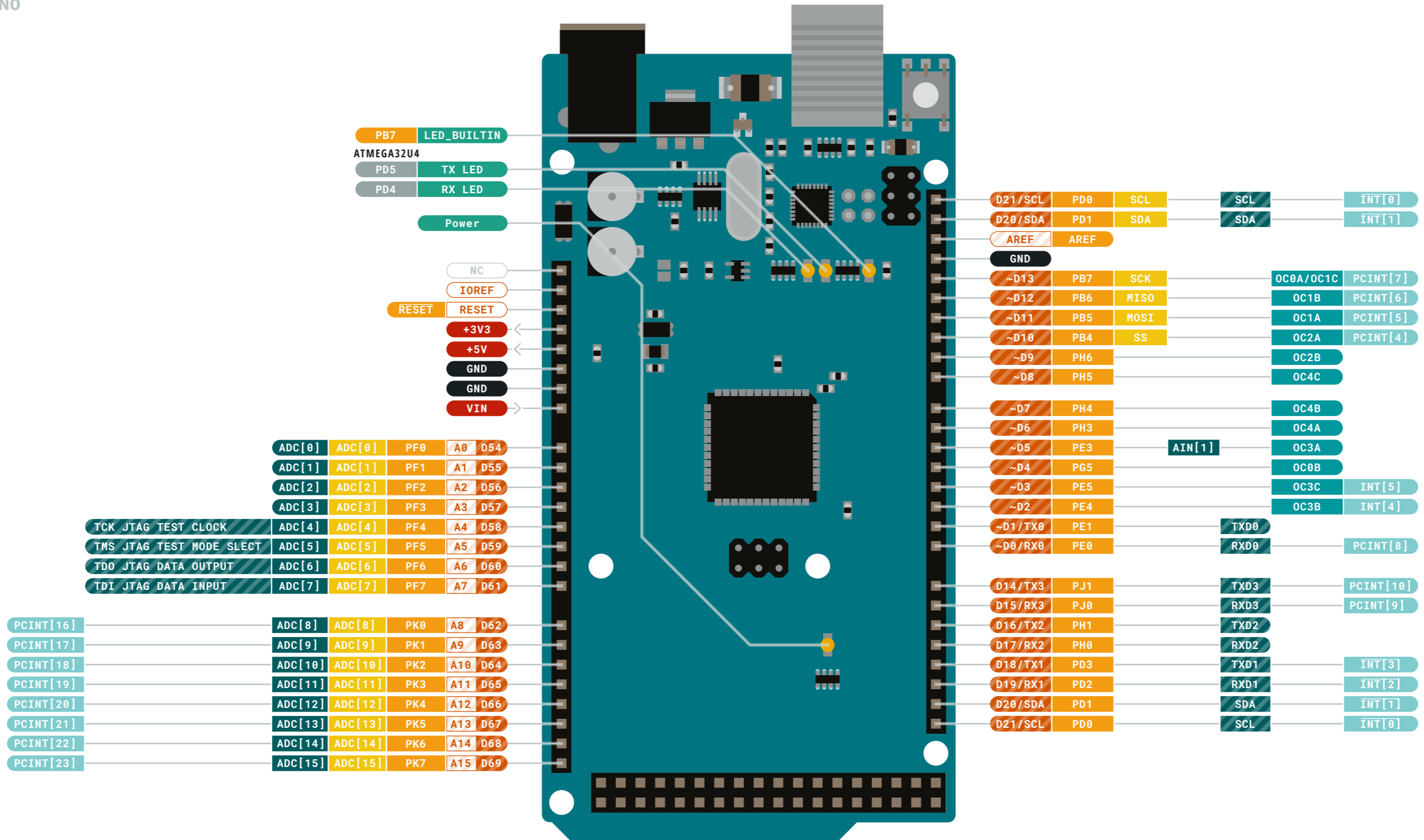


- Ground
- Power
- LED
- Internal Pin
- SWD Pin
- Digital Pin
- Analog Pin
- Other Pin
- Microcontroller's Port
- Default

⚠ **MAXIMUM** current per I/O pin is 20mA

⚠ **MAXIMUM** current per +3.3V pin is 50mA

VIN 6-20 V input to the board.

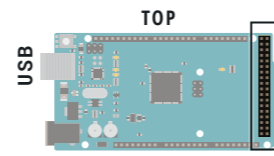


- Ground
- Power
- LED
- Internal Pin
- SWD Pin
- Digital Pin
- Analog Pin
- Other Pin
- Microcontroller's Port
- Default
- Analog
- Communication
- Timer
- Interrupt
- Sercom

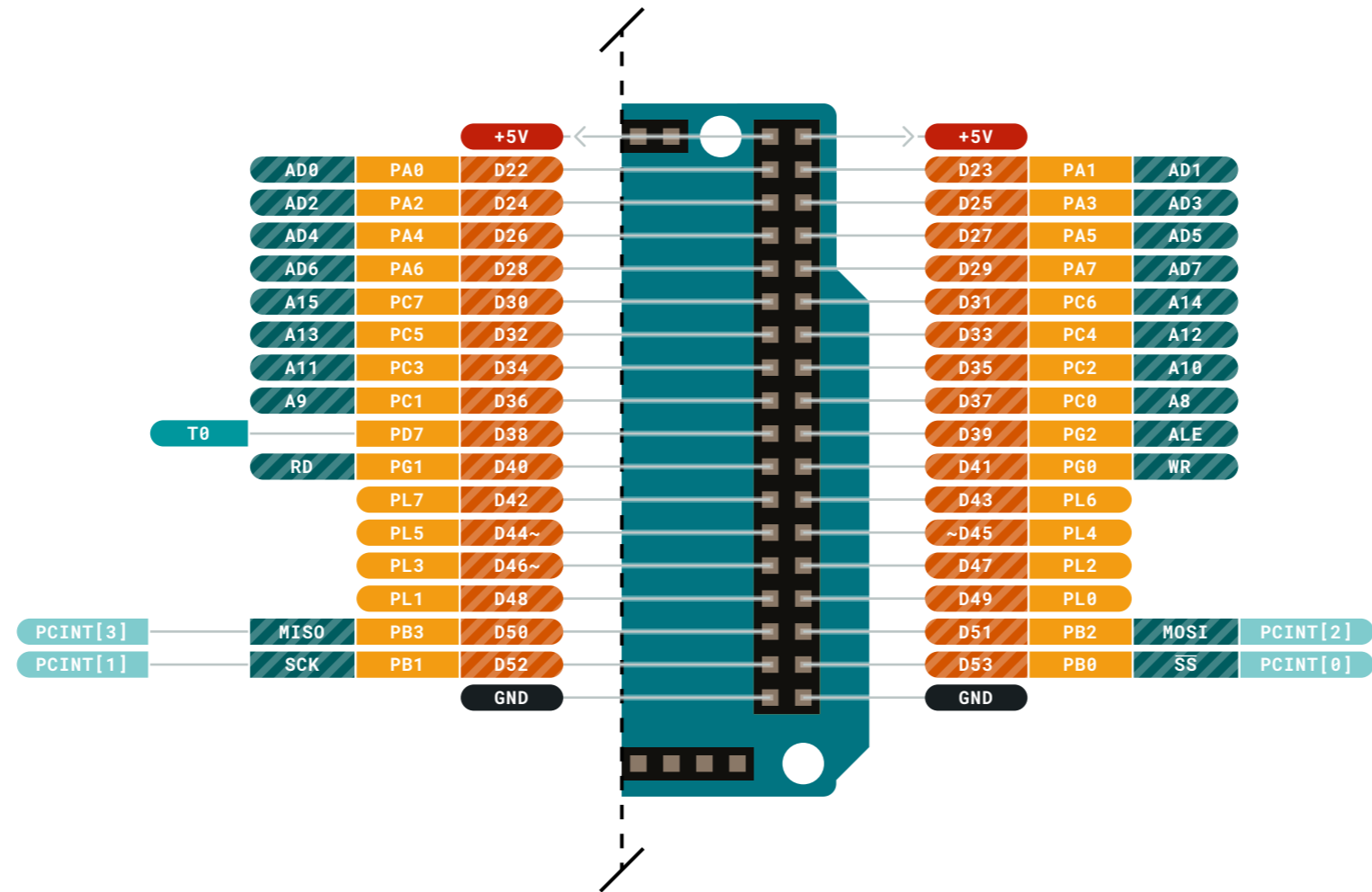
⚠ **MAXIMUM** current per I/O pin is 20mA

VIN 6-20 V input to the board.

⚠ **MAXIMUM** current per +3.3V pin is 50mA



Digital pins D22-D53

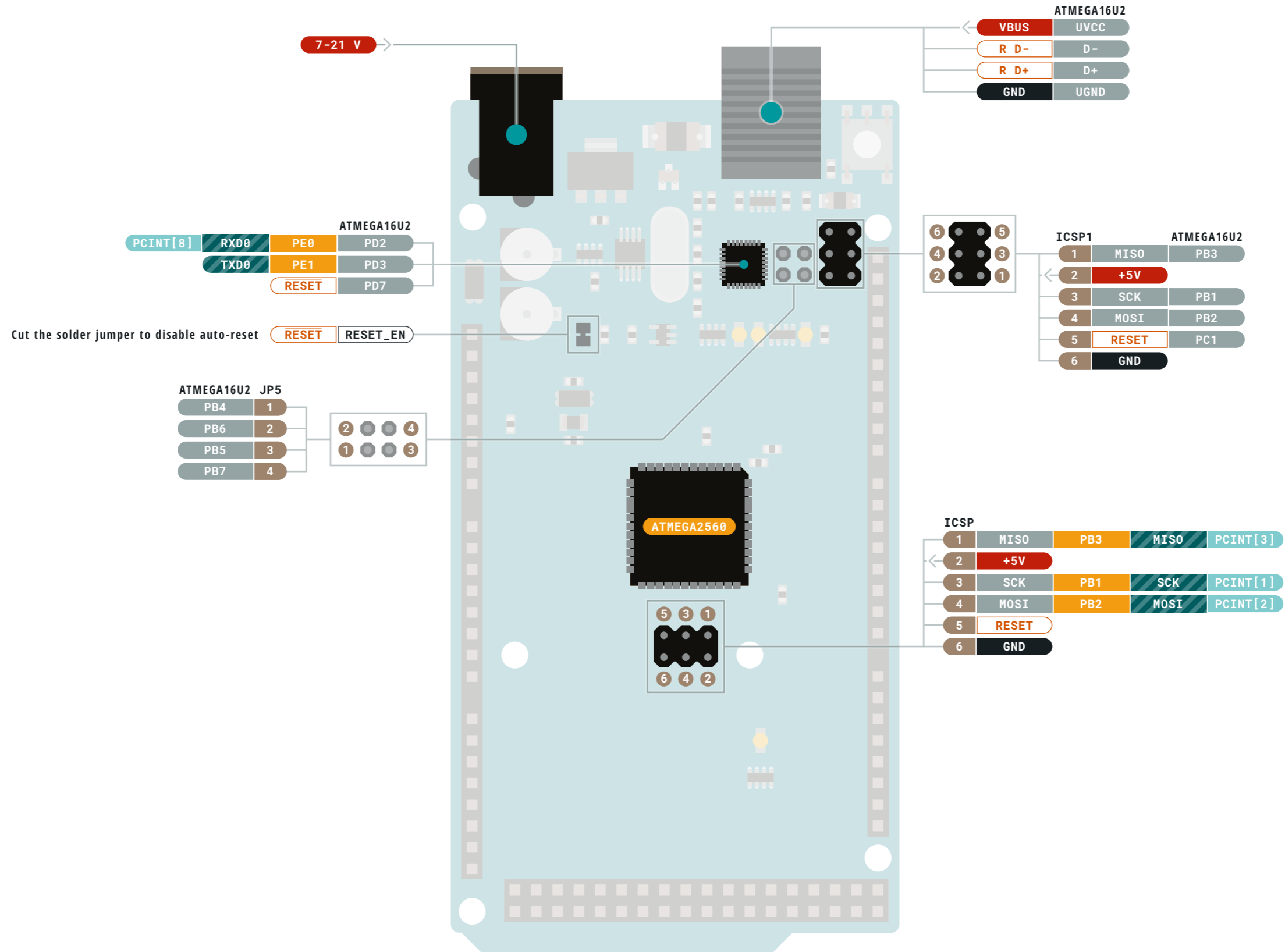


- Ground
- Power
- LED
- Internal Pin
- SWD Pin
- Digital Pin
- Analog Pin
- Other Pin
- Microcontroller's Port
- Default
- Analog
- Communication
- Timer
- Interrupt
- Sercom

! **MAXIMUM** current per I/O pin is 20mA

! **MAXIMUM** current per +3.3V pin is 50mA

VIN 6-20 V input to the board.



- Ground
- Power
- LED
- Internal Pin
- SWD Pin
- Digital Pin
- Analog Pin
- Other Pin
- Microcontroller's Port
- Default
- Analog
- Communication
- Timer
- Interrupt
- Sercom

- ⚠ **MAXIMUM** current per I/O pin is 20mA
- ⚠ **MAXIMUM** current per +3.3V pin is 50mA

VIN 6-20 V input to the board.