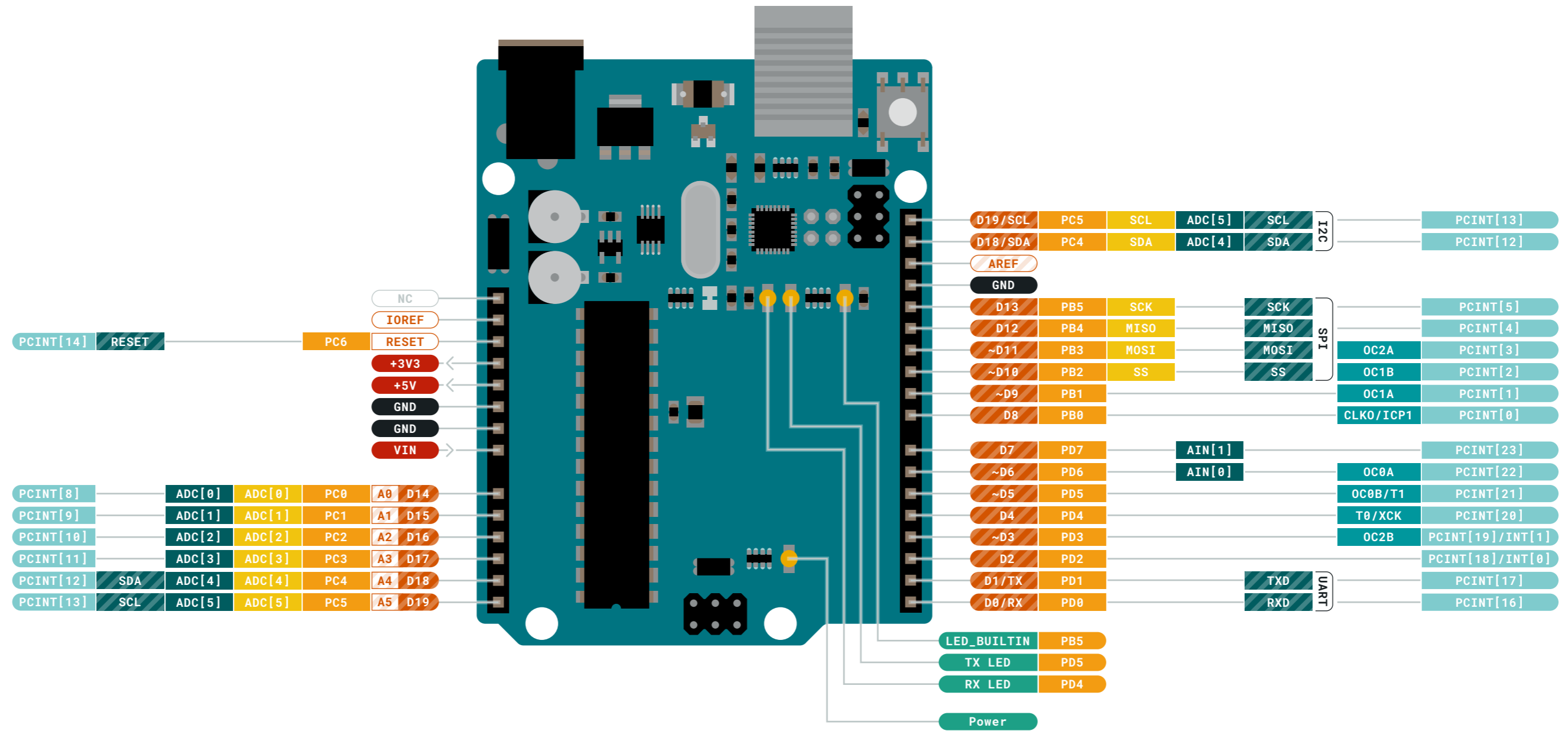


- Ground
- Power
- LED
- Internal Pin
- SWD Pin
- Digital Pin
- Analog Pin
- Other Pin
- Microcontroller's Port
- Default

**⚠** **MAXIMUM** current per I/O pin is 20mA

**⚠** **MAXIMUM** current per +3.3V pin is 50mA

**VIN** 6-20 V input to the board.

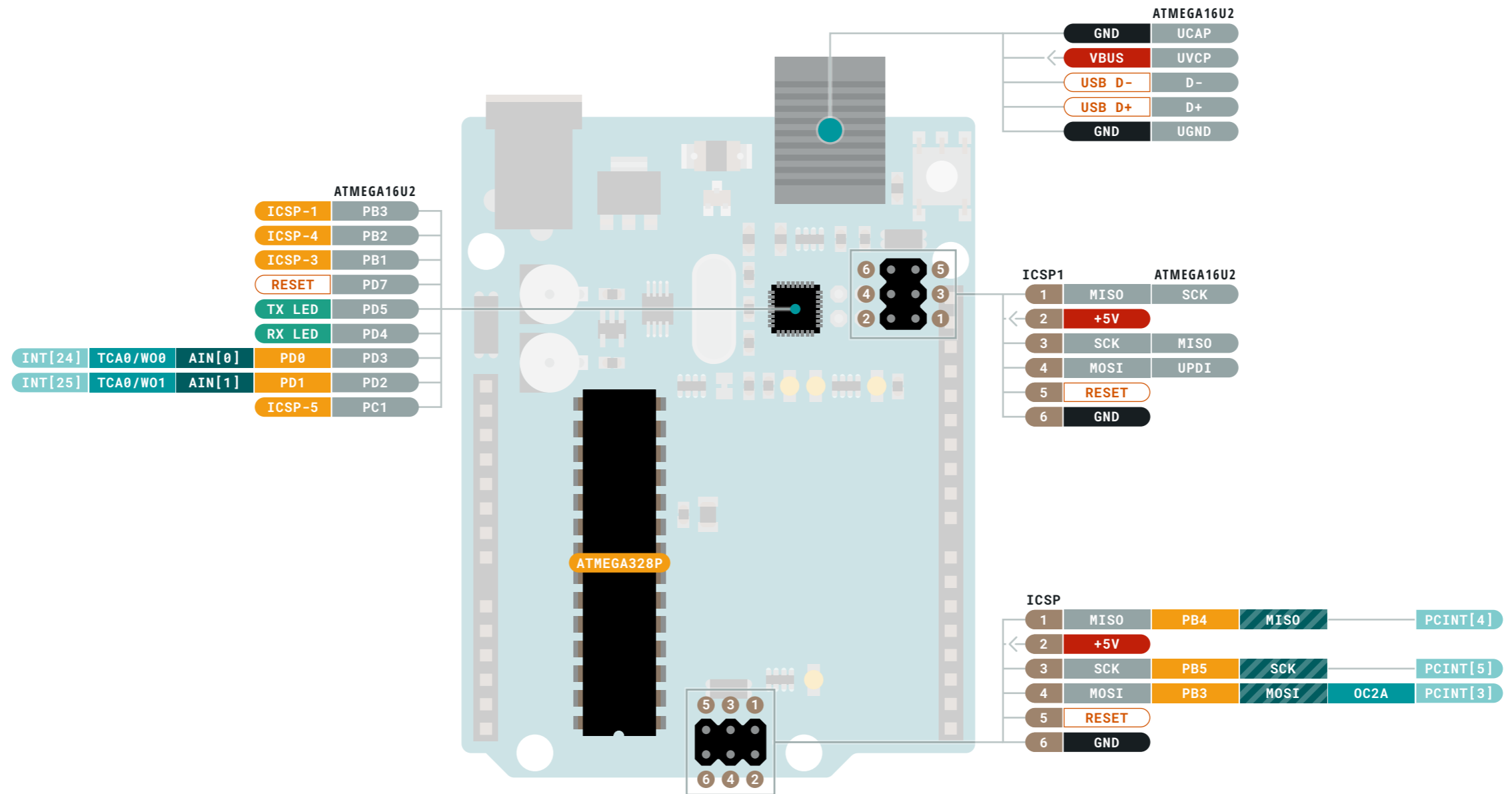


- Ground
- Power
- LED
- Internal Pin
- SWD Pin
- Digital Pin
- Analog Pin
- Other Pin
- Microcontroller's Port
- Default
- Analog
- Communication
- Timer
- Interrupt
- Sercom

**⚠️ MAXIMUM** current per I/O pin is 20mA

**⚠️ MAXIMUM** current per +3.3V pin is 50mA

**VIN** 6-20 V input to the board.

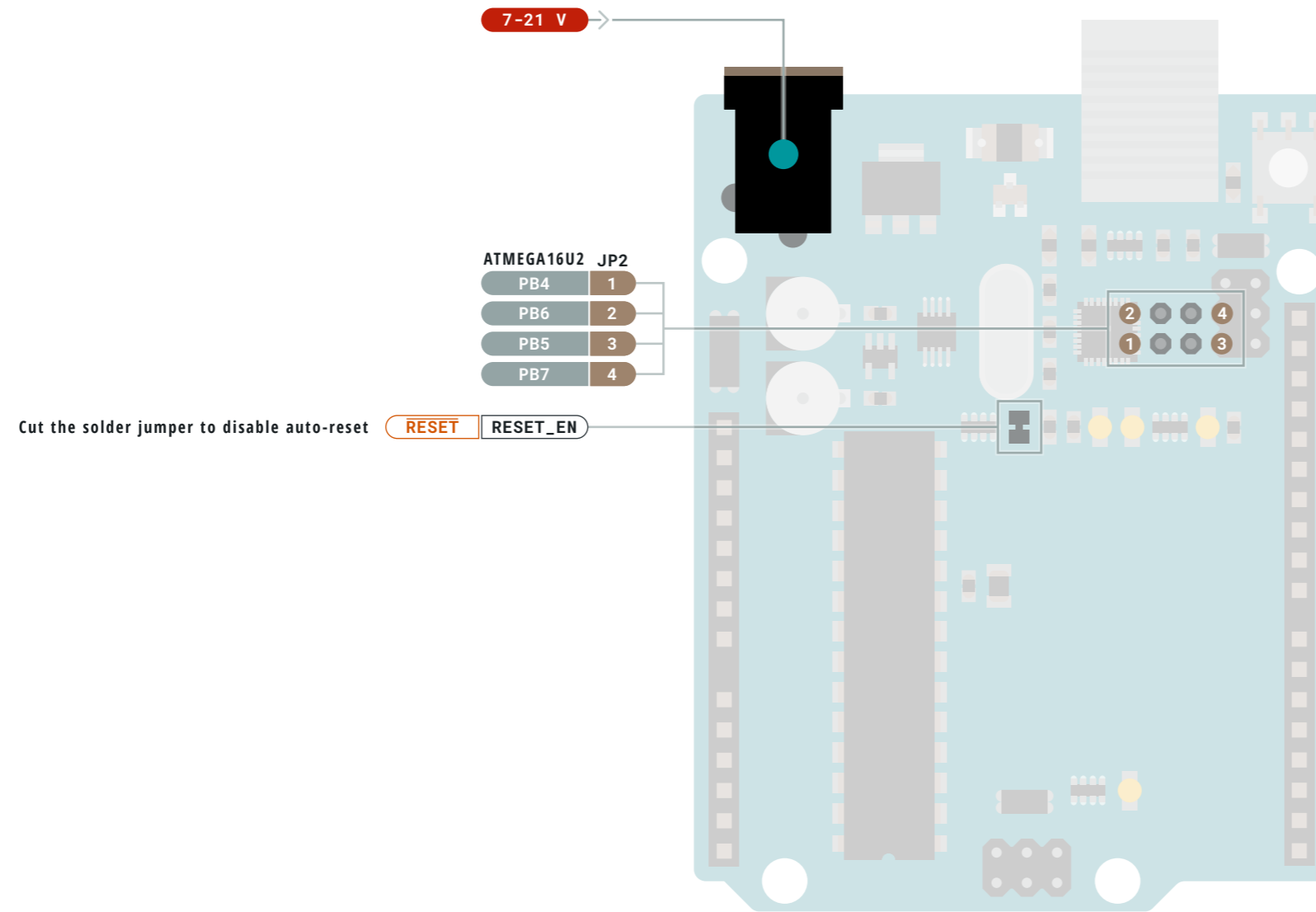


- Ground
- Power
- LED
- Internal Pin
- SWD Pin
- Digital Pin
- Analog Pin
- Other Pin
- Microcontroller's Port
- Default
- Analog
- Communication
- Timer
- Interrupt
- Sercom

**⚠** **MAXIMUM** current per I/O pin is 20mA

**⚠** **MAXIMUM** current per +3.3V pin is 50mA

**VIN** 6-20 V input to the board.



- Ground
- Power
- LED
- Internal Pin
- SWD Pin
- Digital Pin
- Analog Pin
- Other Pin
- Microcontroller's Port
- Default
- SJ Pin  
Making a short circuit using the solder jumper allows only the function in the SJ Pin cells.

- ⚠ **MAXIMUM** current per I/O pin is 20mA
- ⚠ **MAXIMUM** current per +3.3V pin is 50mA

**VIN** 6-20 V input to the board.