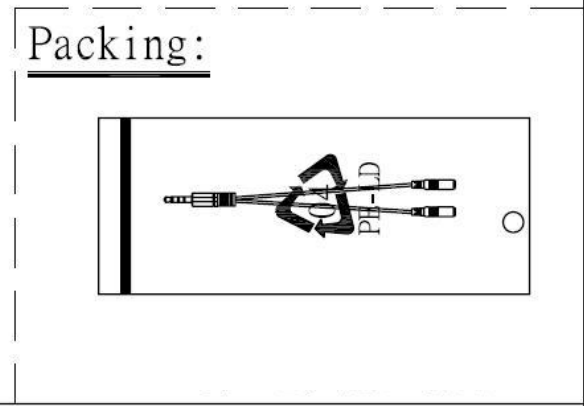
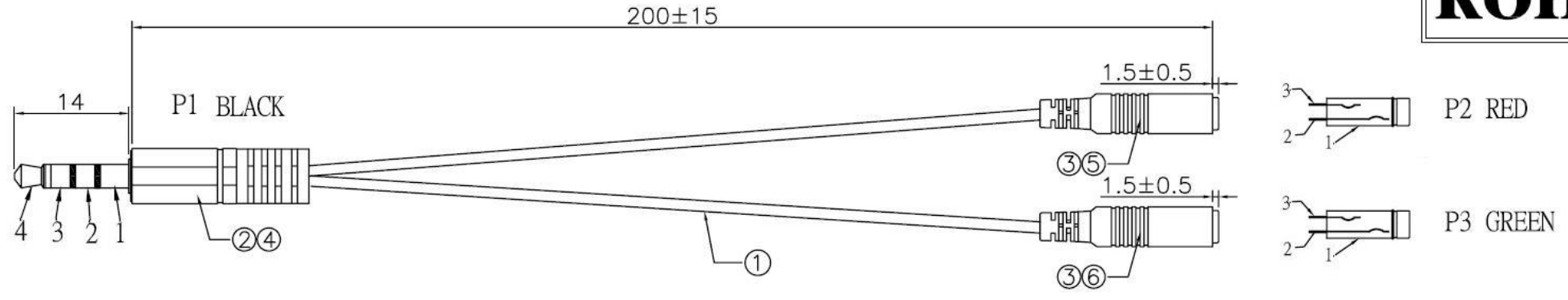
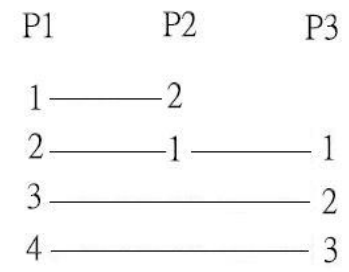


Rev	Modification Content	Date	Validate
A	the First Edition	2013-01-14	

**ROHS**



Pin Assignment:



<b>AY48</b>			
P/N	20CM		
Item	HJ-141-130109-01		
Drawn By	Customer NO.	NO	N
Audited By			Unit : mm
Date	2013-01-14	Rev. : 1.00	ME

6	Molding	P3: 50P PVC GREEN	g
5	Molding	P2: 50P PVC RED	g
4	Molding	P1: 50P PVC BLACK	g
3	Connector	3.5立體母頭, 鍍銀	2 pcs
2	Connector	3.5四極頭 鍍銀 6.0邊 L:24.2	1 pcs
1	Cable	UL2547 28AWG*2C+S OD:3.0 BLACK	1 pcs
NO.	P/N	DESCRIPTION	QTY