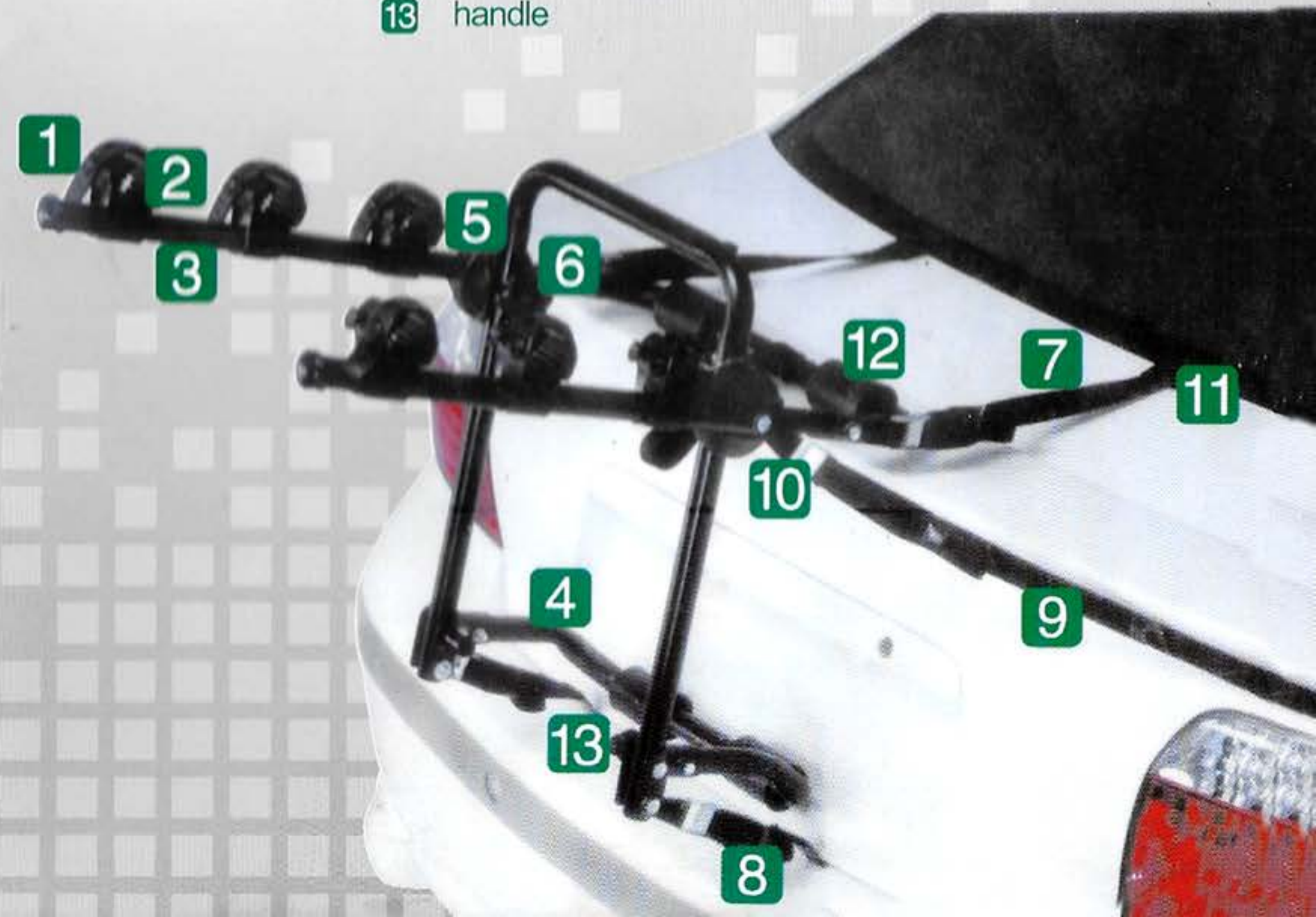


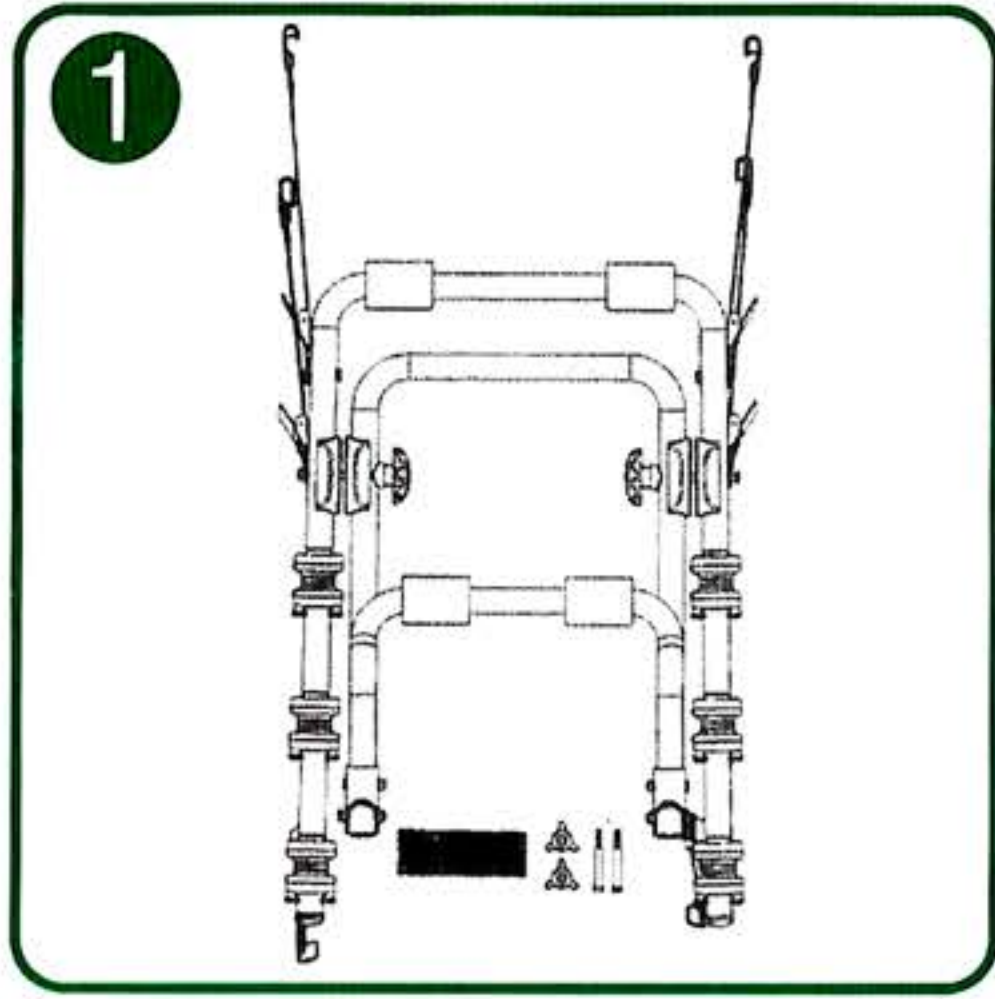
BUY ON

www.cablematic.com

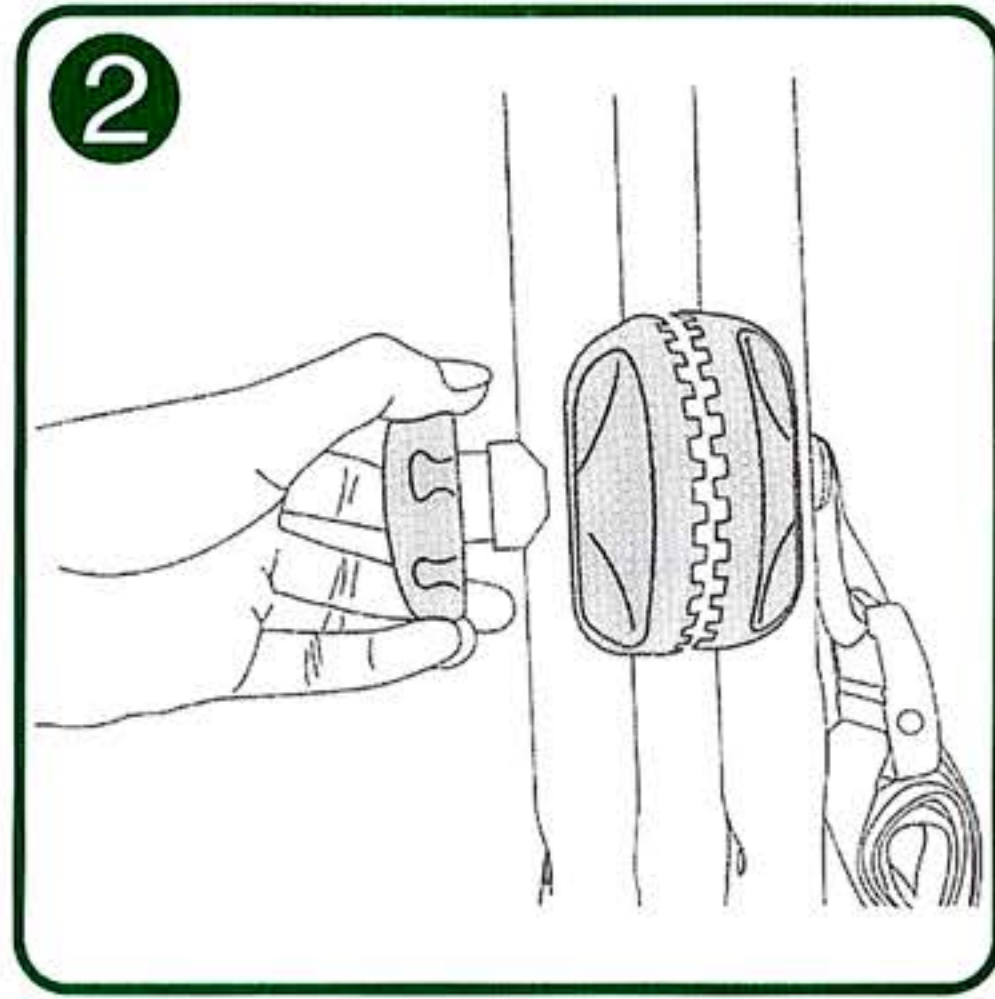
INSTALLATION INSTRUCTION

- 1 Belt for bicycle
- 2 fixed clip
- 3 arm tube
- 4 down suspension tube
- 5 adjuster
- 6 button
- 7 up braid
- 8 down braid
- 9 middle braid
- 10 alum. Button
- 11 fixed fork
- 12 rubber protector
- 13 handle

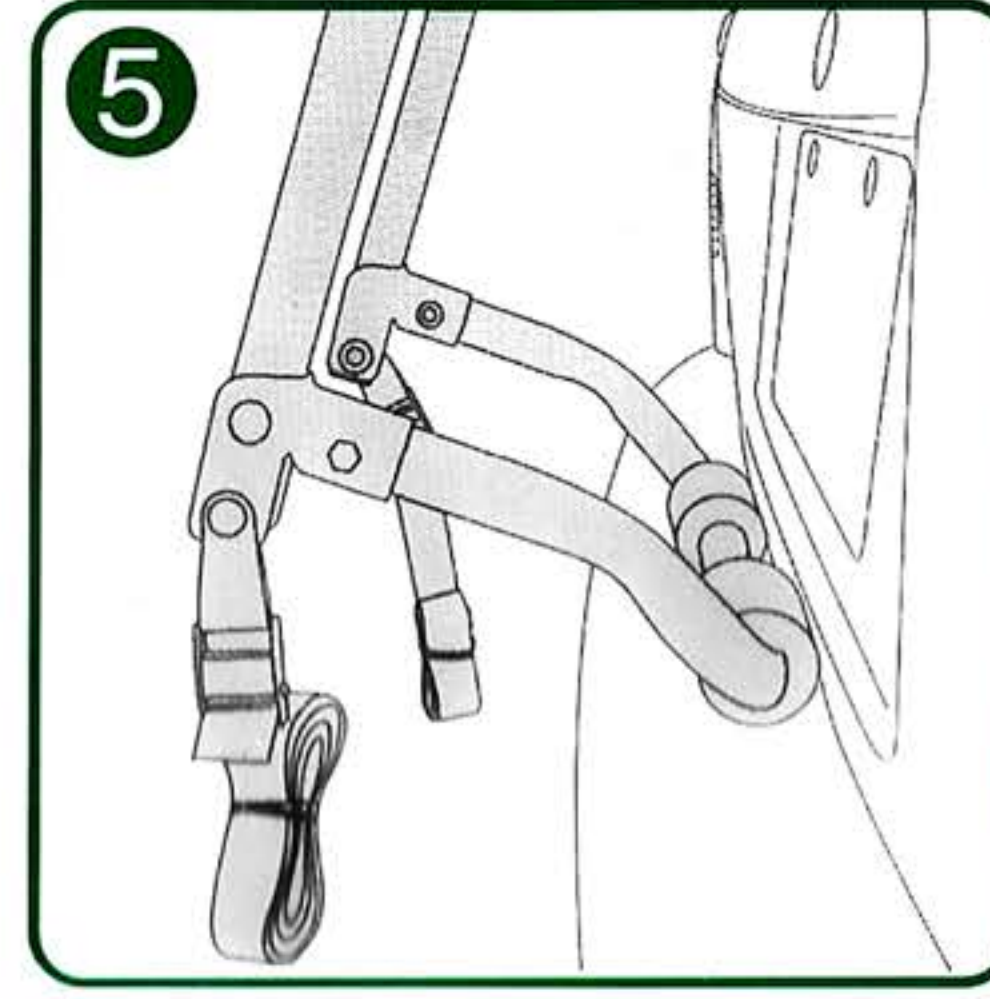




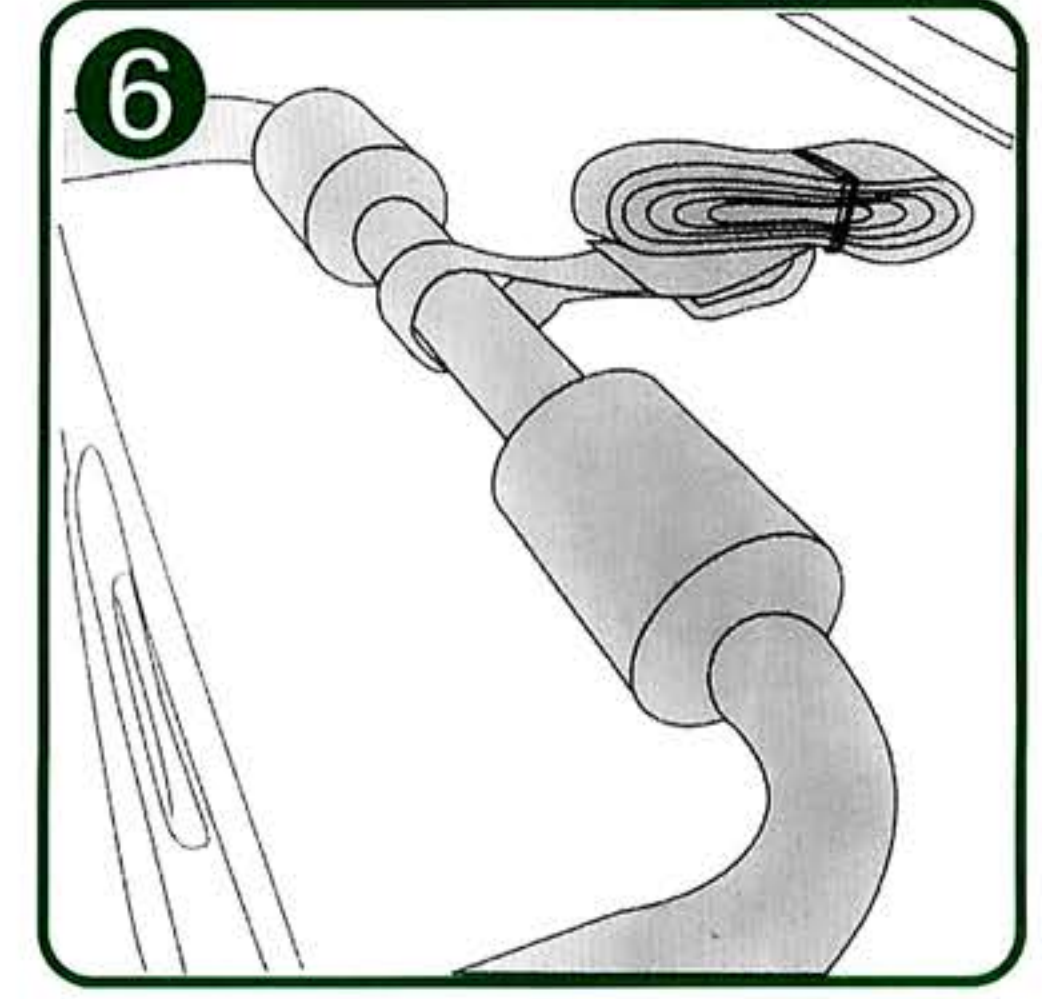
1、 first check the product in the carton, including the rack, six belts and accessories package (2 pcs handles, and two screwers)



2、 to open the button anticlockwise, the adjuster will loose, repeat the same step as above to the other side



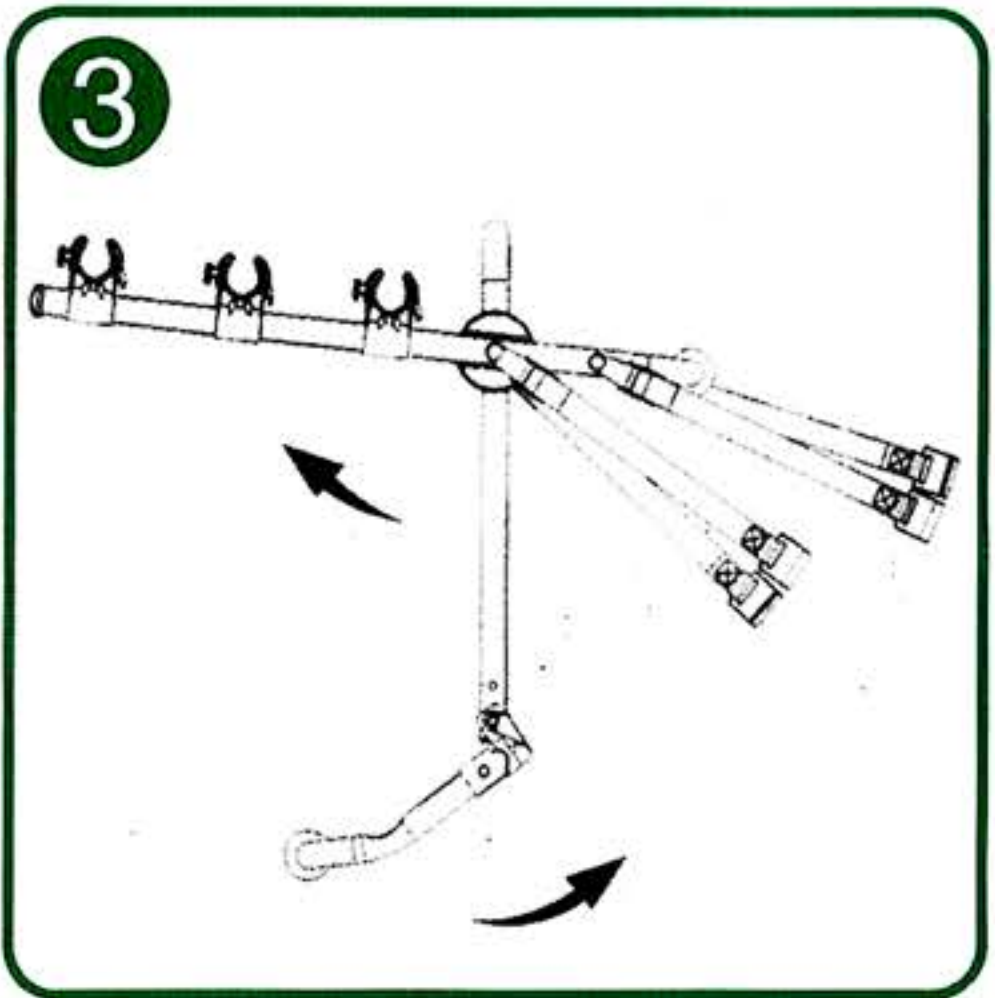
5、 put the rack on the trunk, the bottom part(protector)need install closely between the gap of bar and trunk



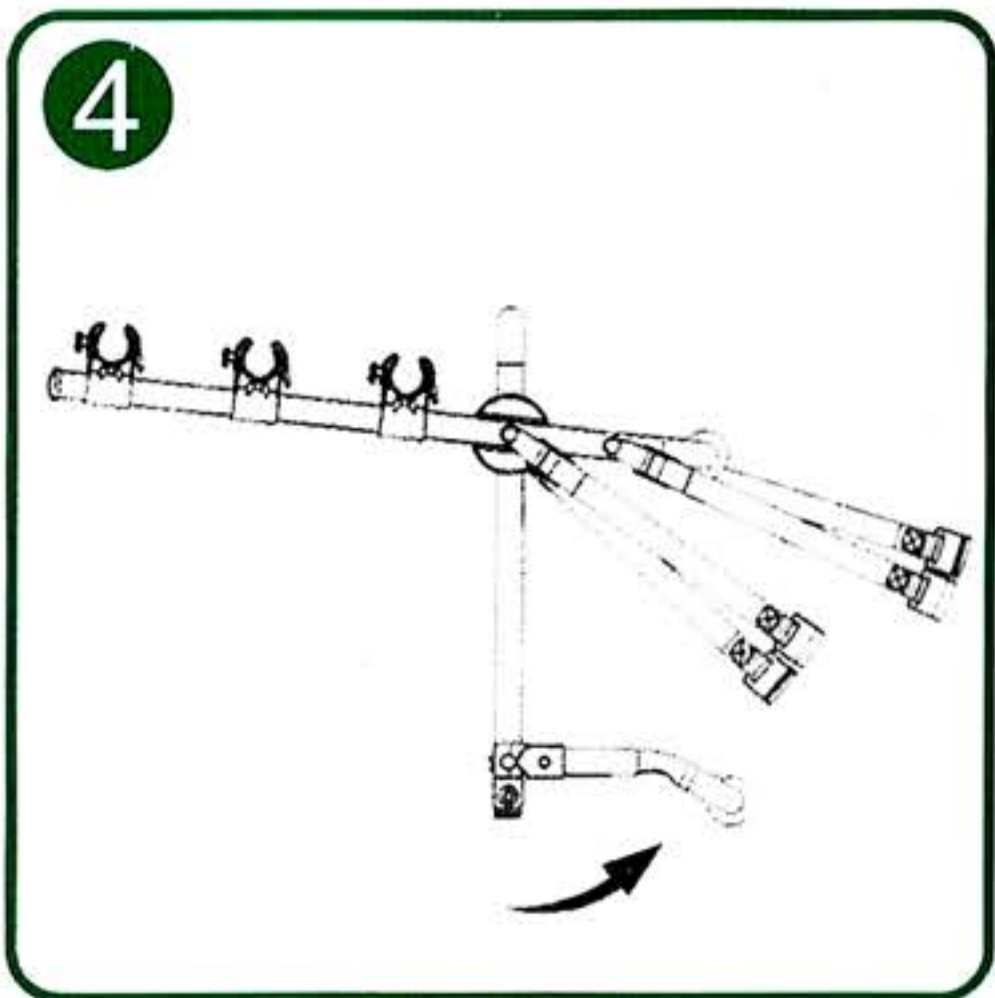
6、 the upper arm tube needs stick to the trunk cover

BUY ON

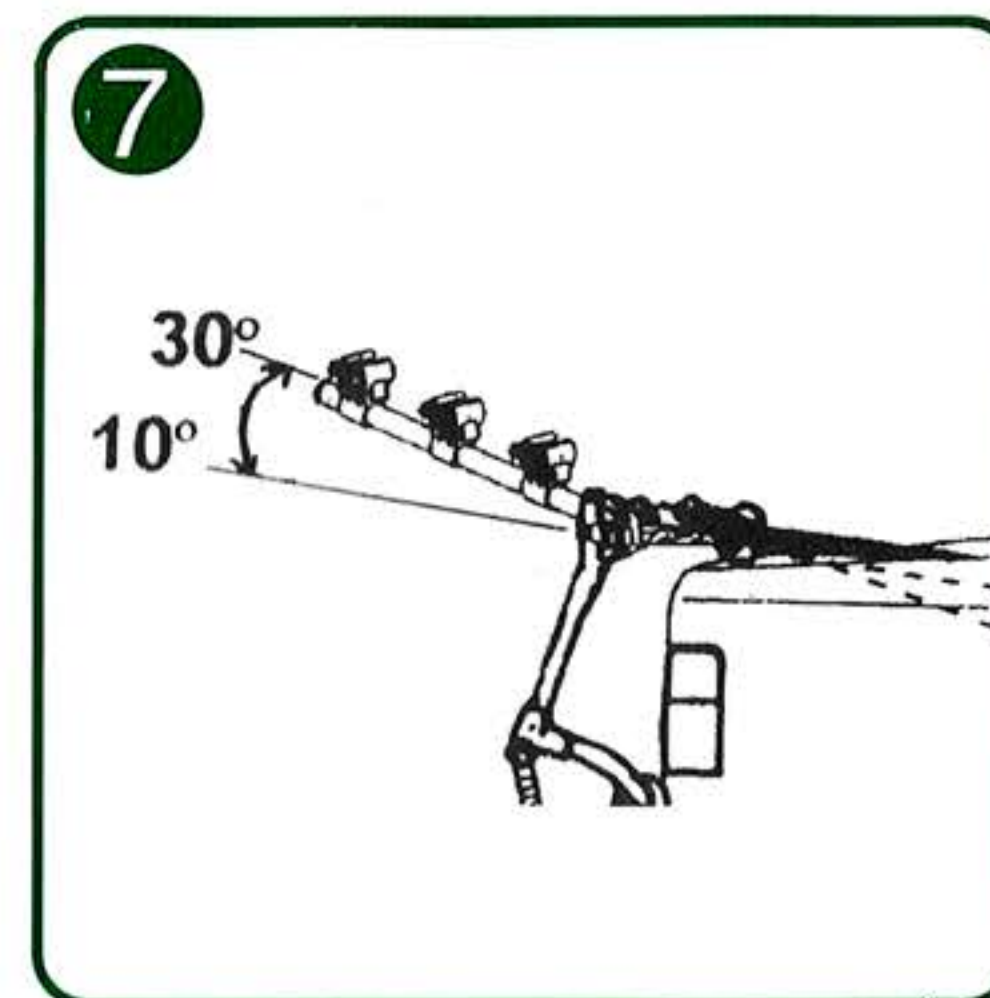
www.cablematic.com



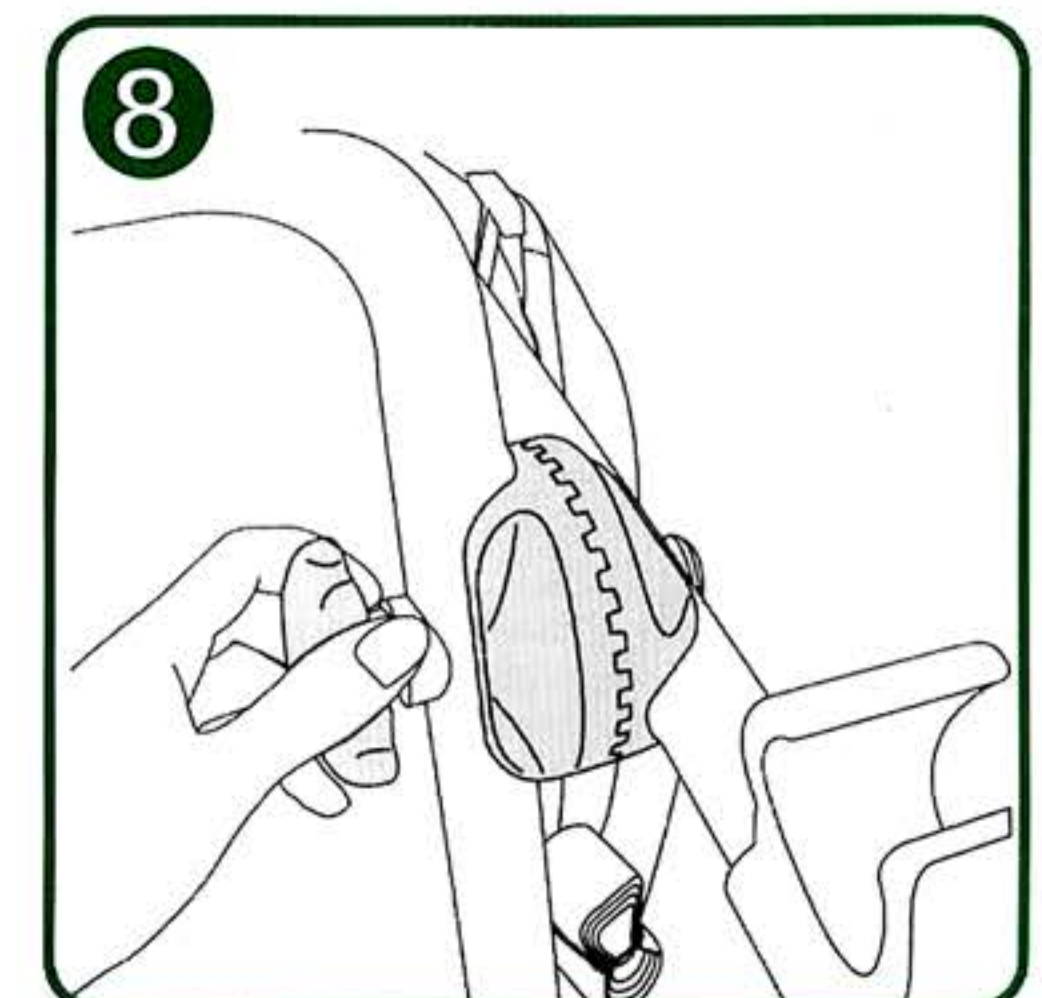
3、 fafter the loosing of the adjuster, the arm tube can be movable and can adjust the angle freely. The lower suspension tube needs be extend backwards, and opposite to the arm tube.



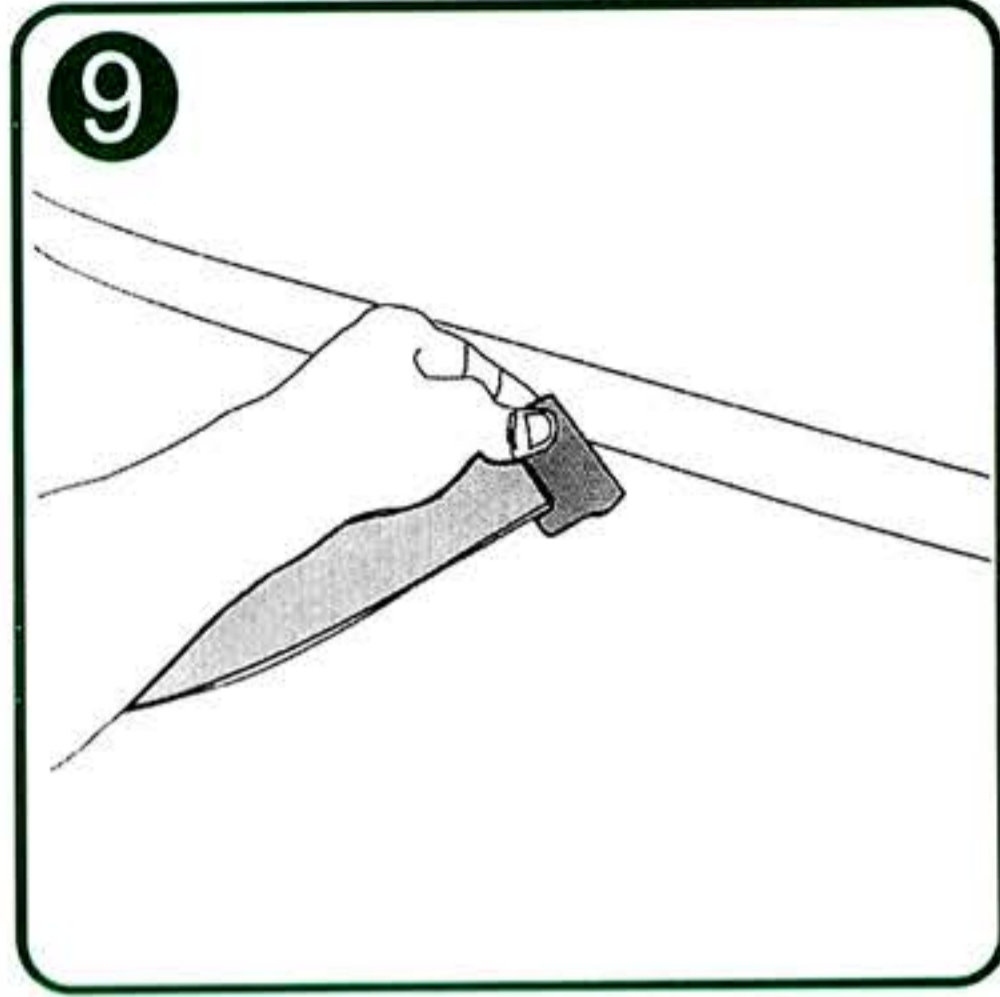
4、 see the diagrahm after extending



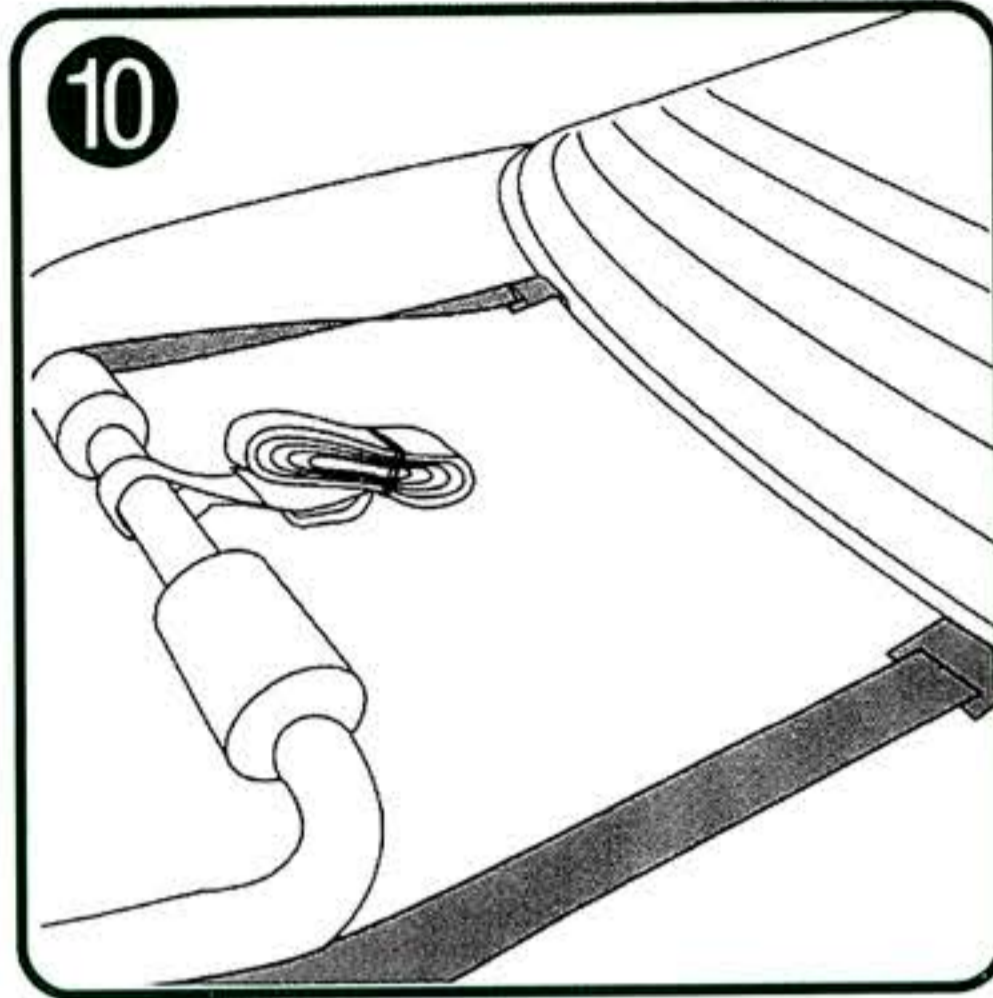
7、 pls adjust the arm tube to 10-30 degree angle, and confirm the rack is installed in the middle of the trunk



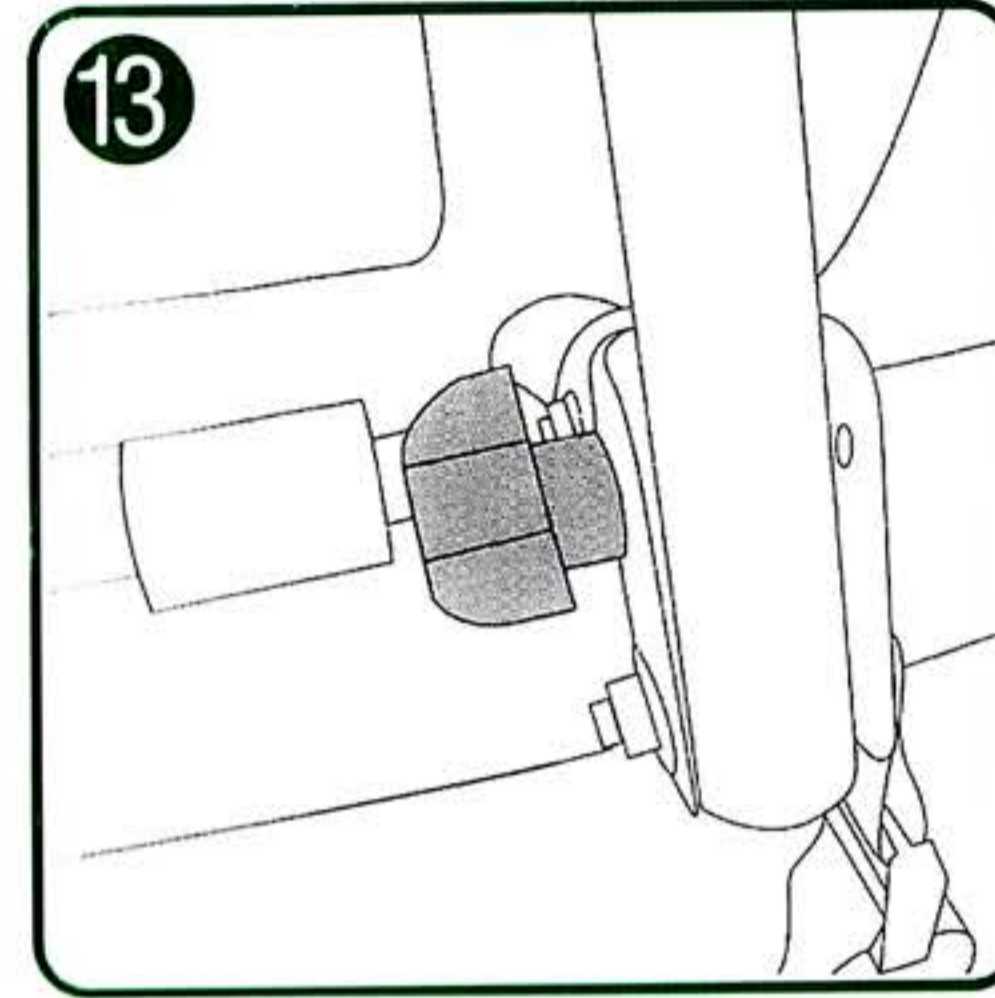
8、 after confirming the right position, then adjust the adjuster clockwise, be carefully do not adjust overmuch



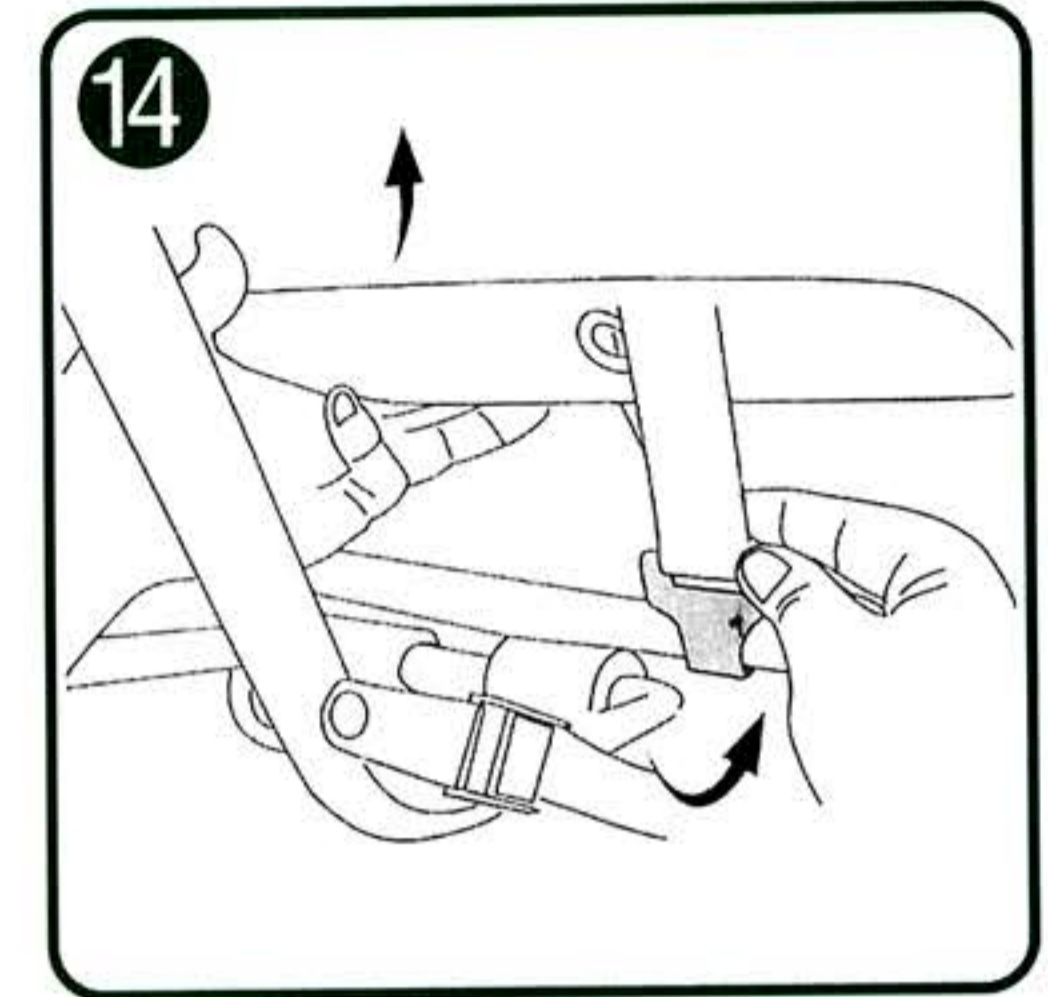
9、 take the top bolt and then press the alum button down, then it can easily adjust the length of the bolt



10、 pls fixed the fork between the gap of the rear window of the car and trunk cover, and fasten the bolt to fix the rack, same with the other side

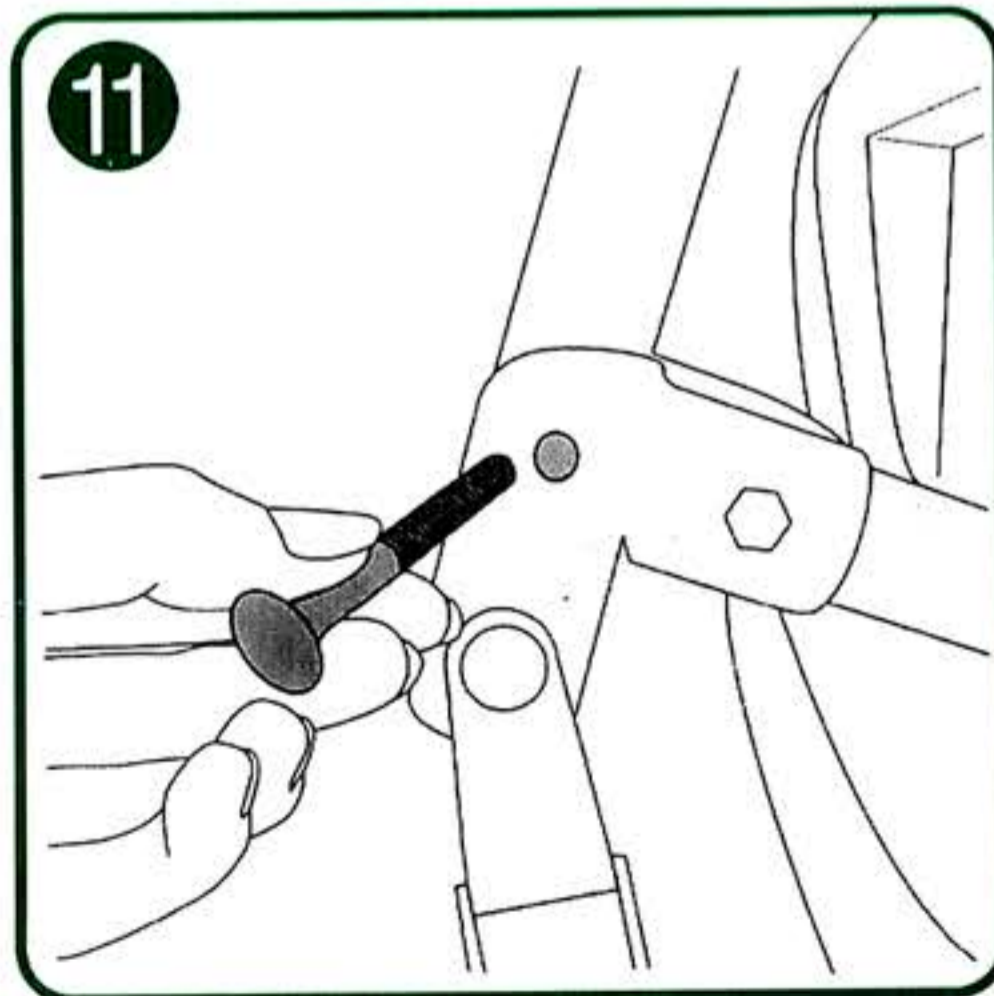


13、 same with the other side, and thus the lower suspension tube is fixed

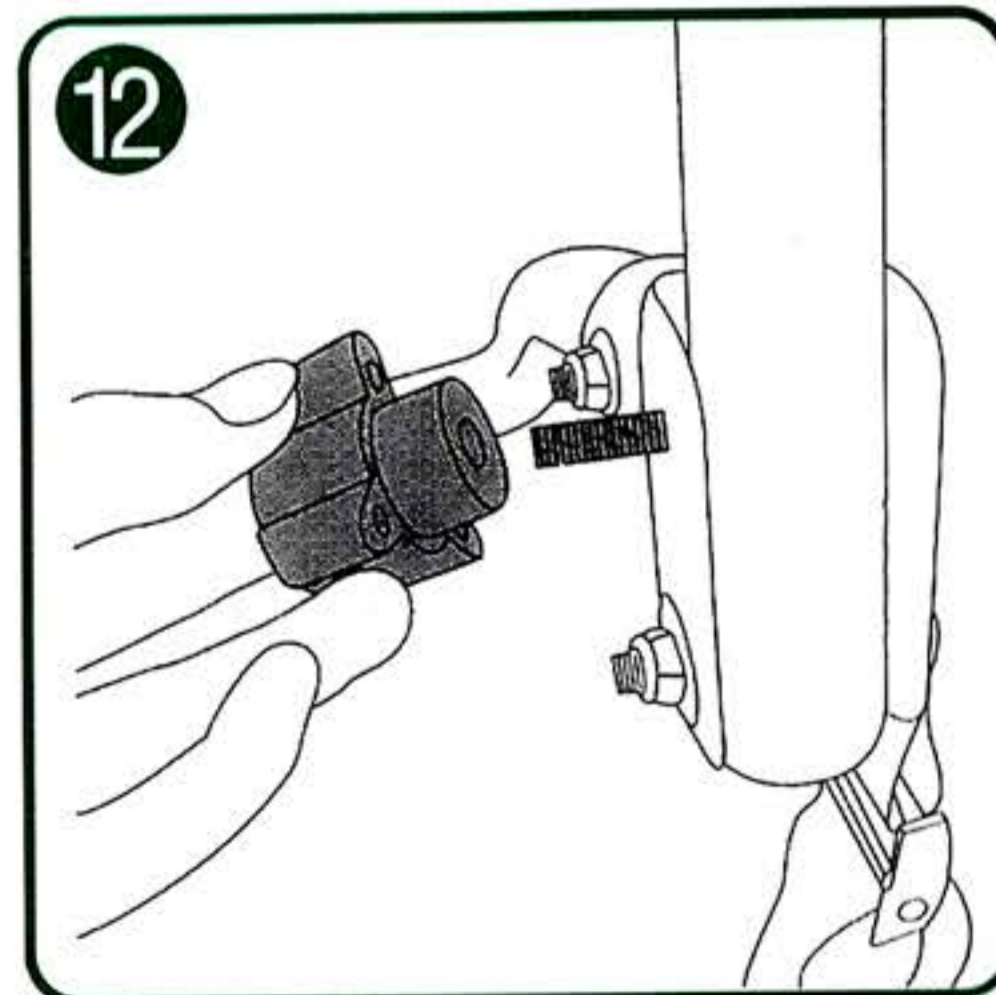


14、 to take the bottom fork to fixed the rack in the gap between trunk cover and bar.

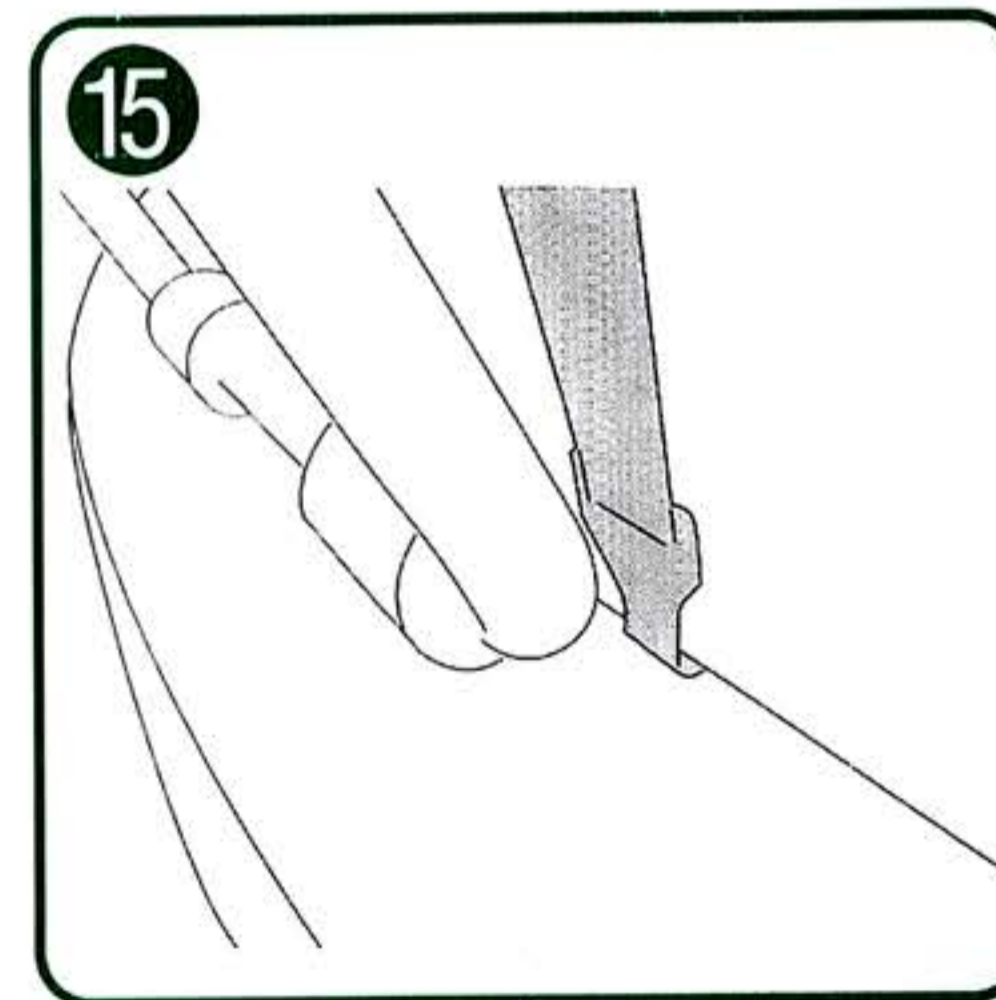
BUY ON
www.cablematic.com



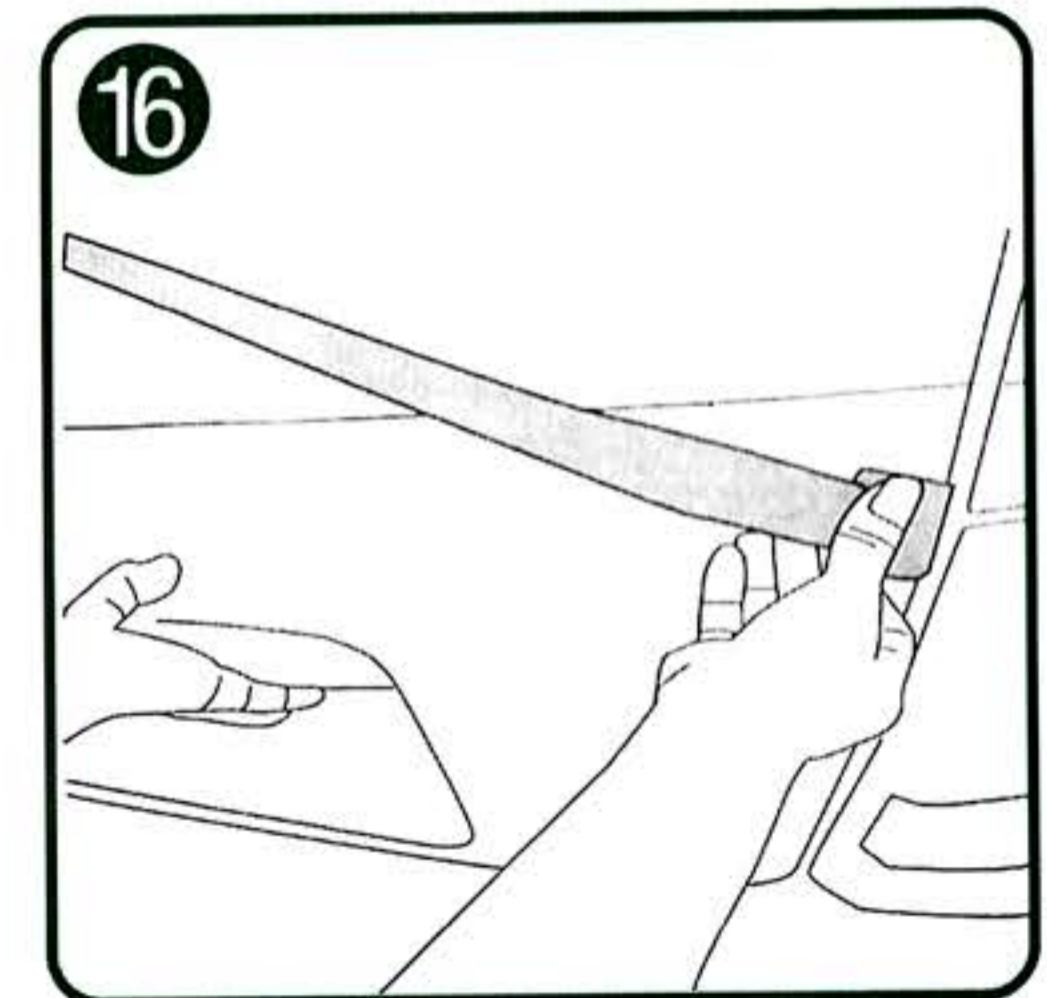
11、 to take the screwer and insert it into the lower suspension tube



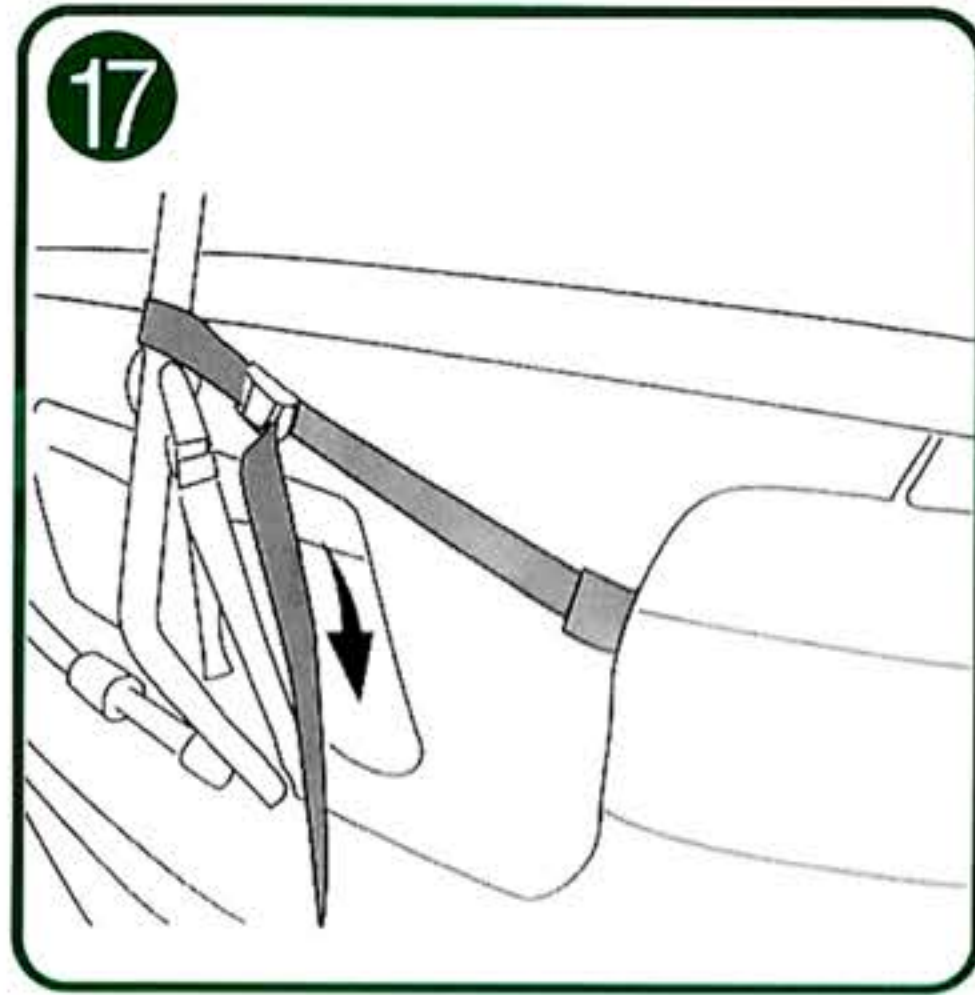
12、 then to put the 3-leaves handle into the screwer.



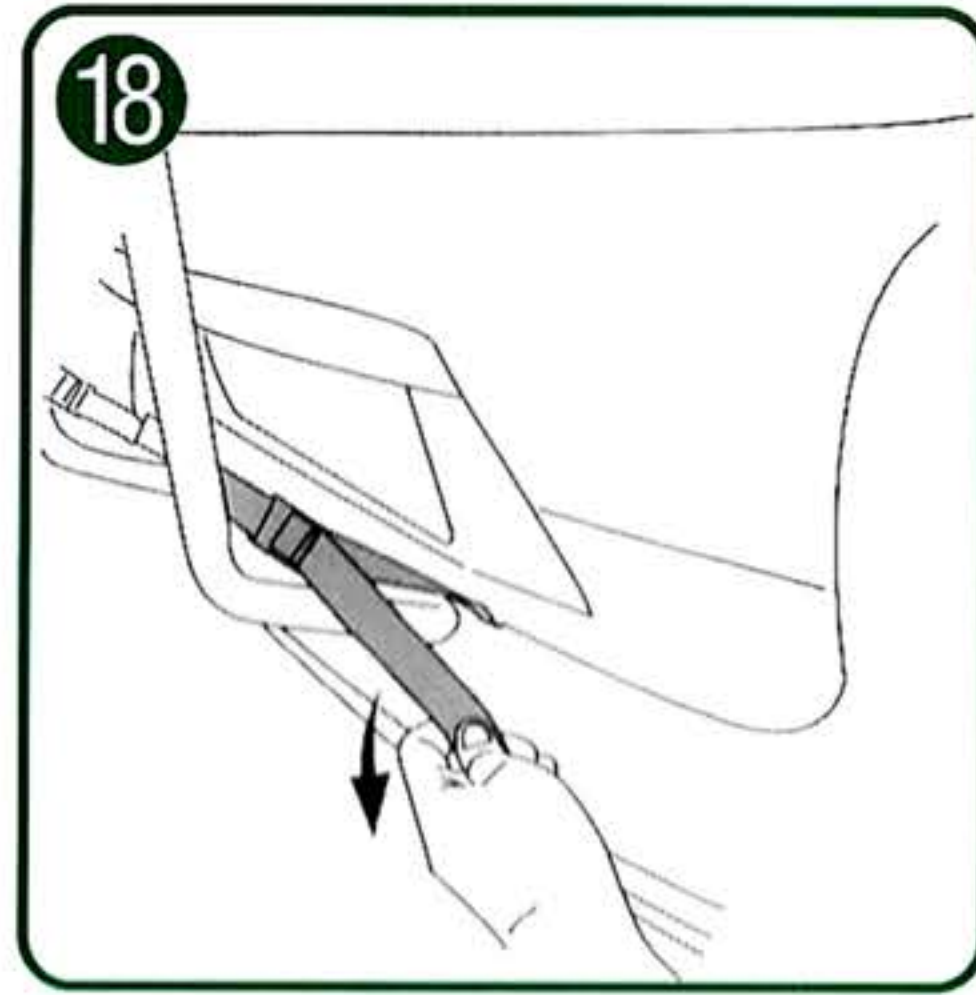
15、 to fasten the braid and fix it, same with the other side



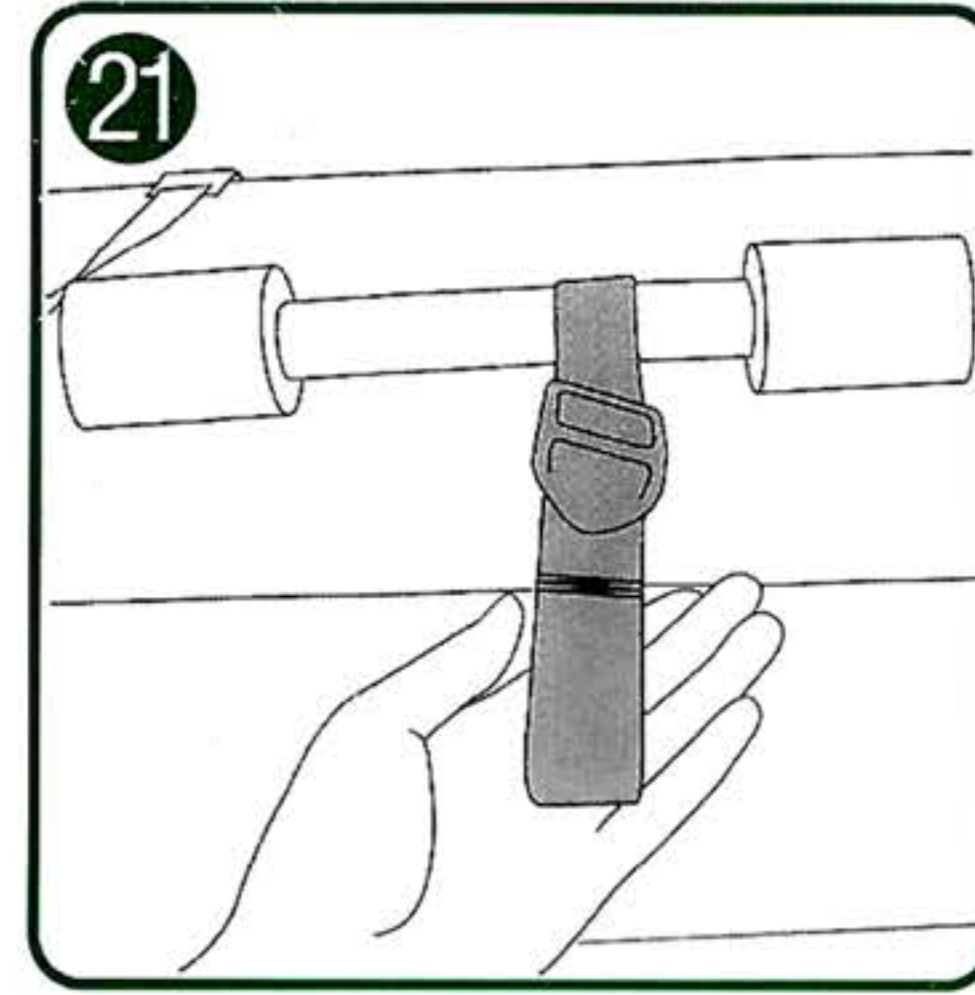
16、 after finished the above, then take the middle fork to fix in the gap of the trunk cover and rear light



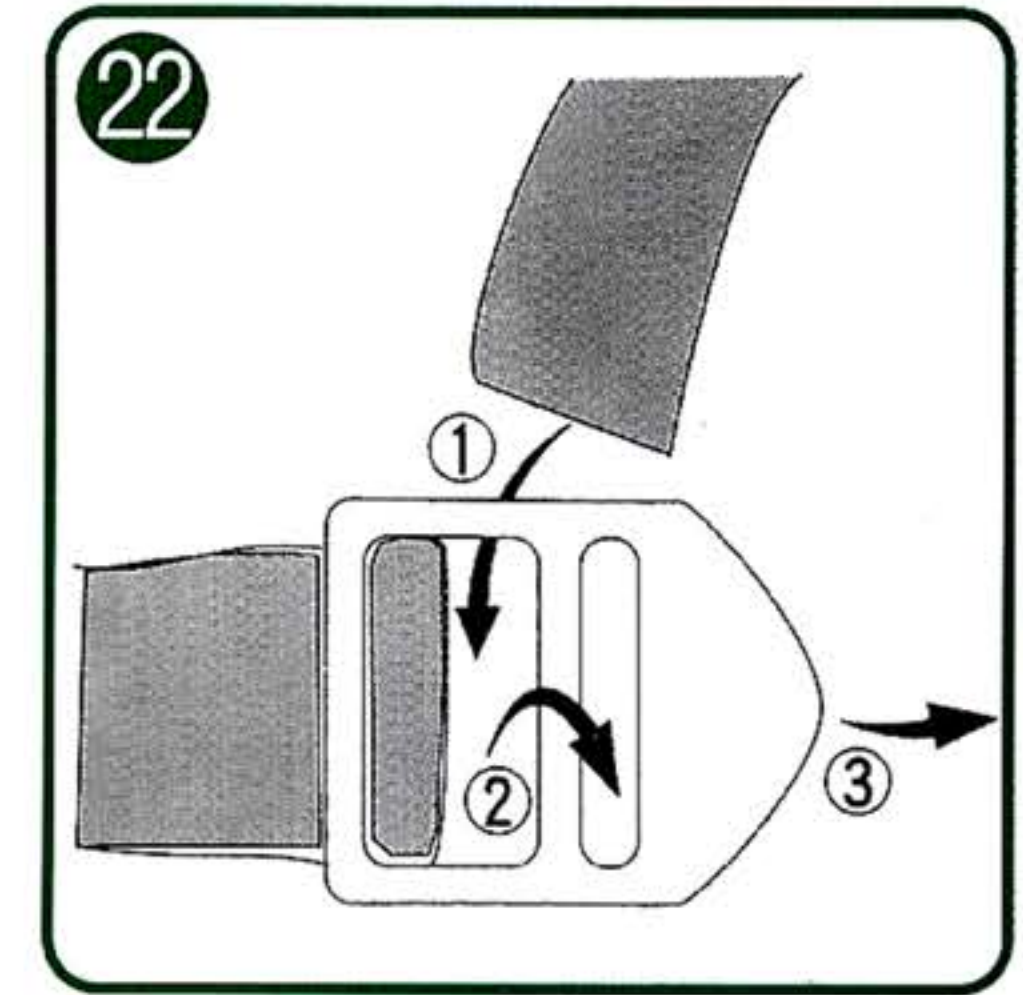
17、 and fasten the braid again and make it fixed, same with the other side. Then install the 6 belts upwards, downwards and sideways by forks and fixed them all



18、 fasten the braid, and fixed it (same operation with the other side)



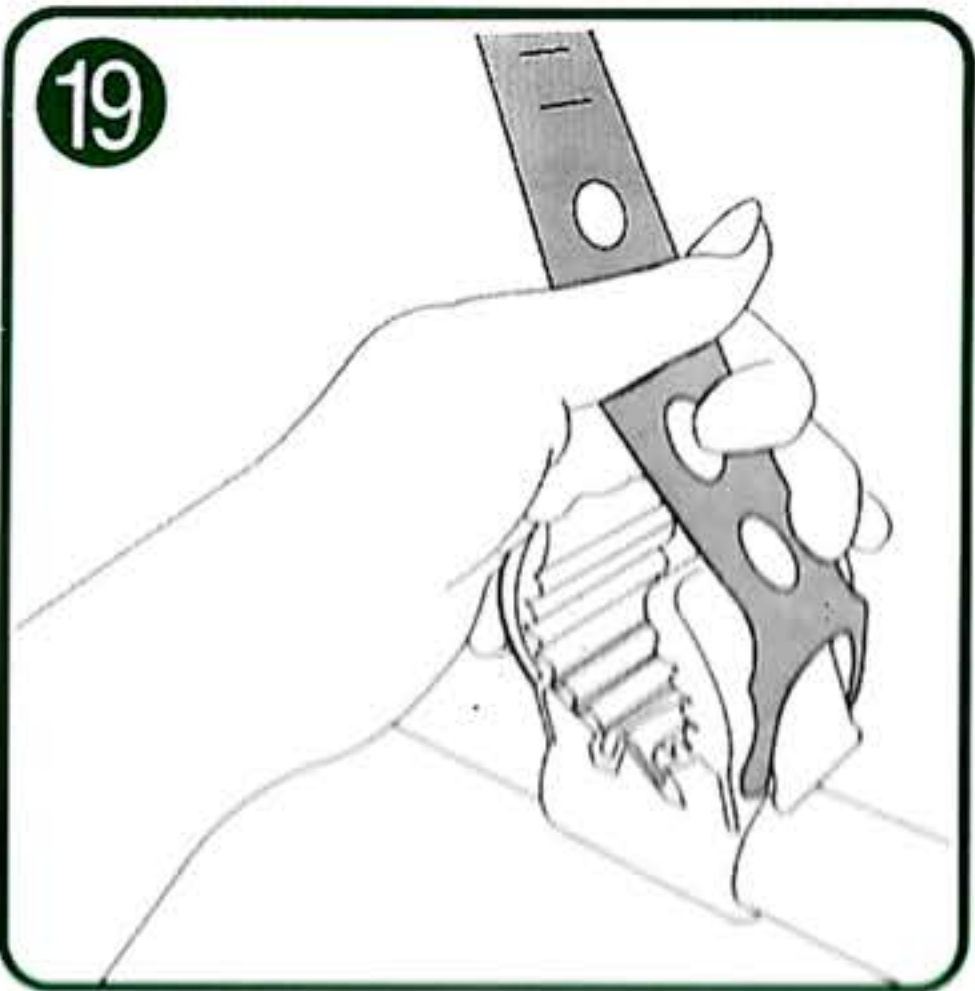
21、 pls use the rubber button over the bike and this reduce the vibration of the bike when driving,



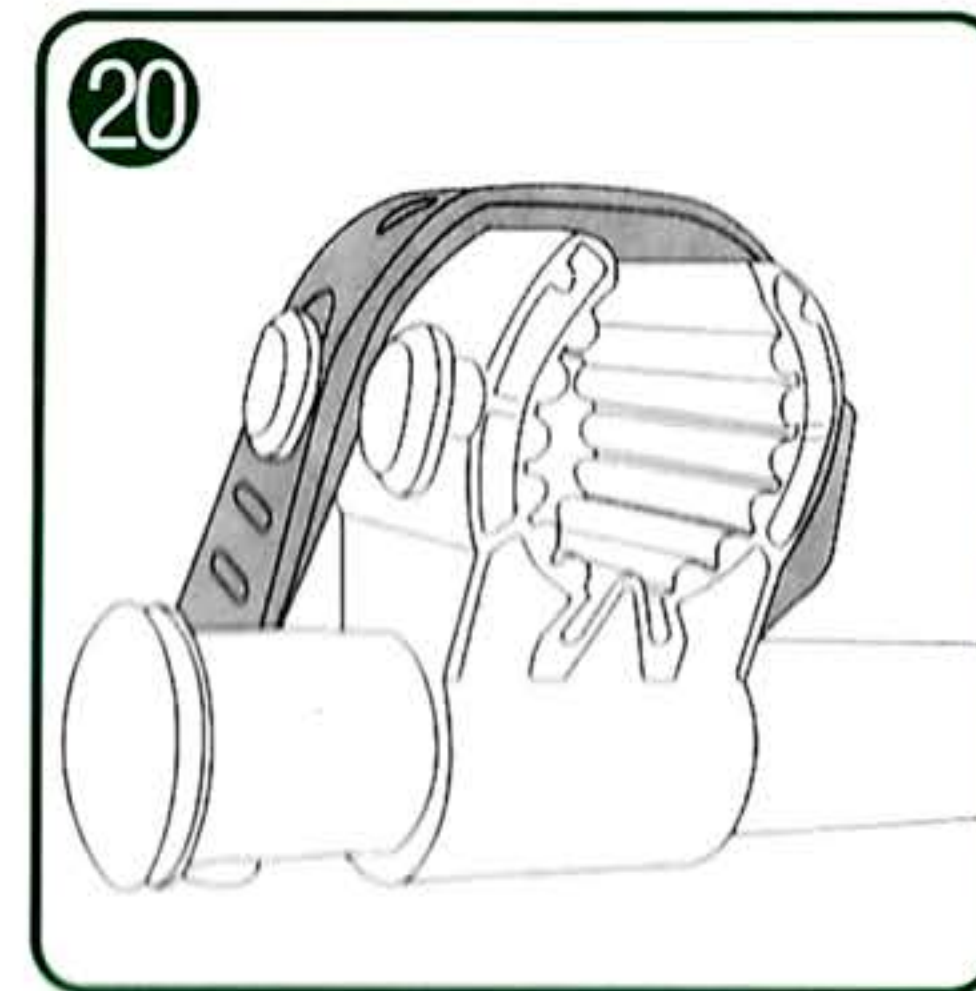
22、 pls insert the braid into the button and fixed them

BUY ON

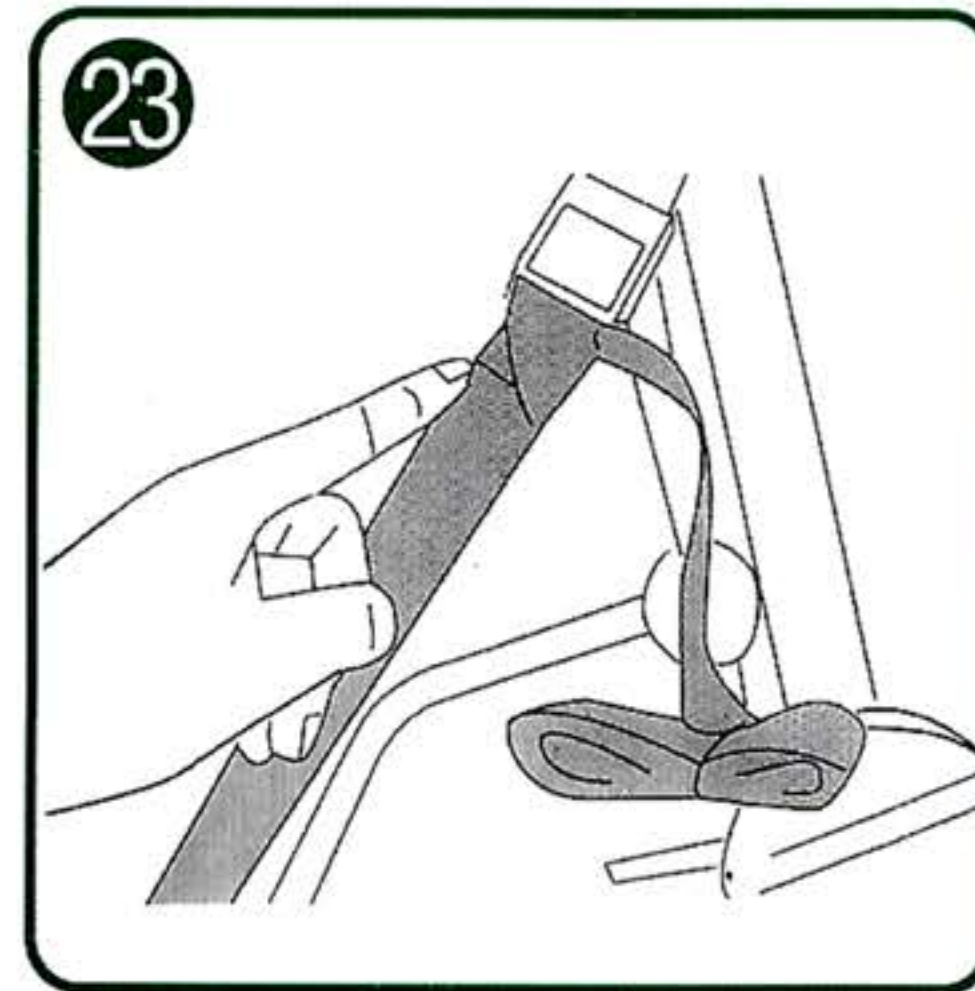
www.cablematic.com



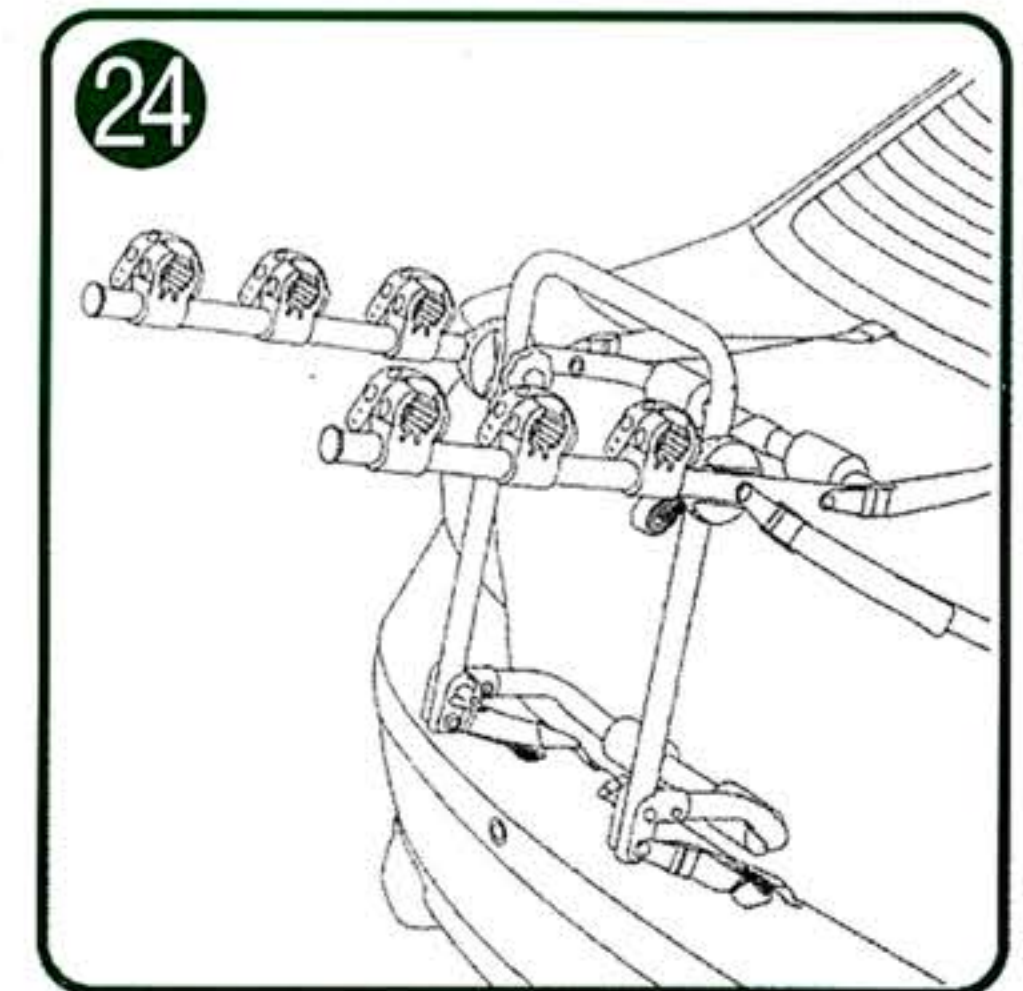
19、 before loading the bicycle, pls initially the bracket first, and put it into the button



20、 after loading the bicycle, pls bypass the bike and put it into the protruding point



23、 after loading the bike, pls refasten the 6 belts, and knot them near the aluminum button to insure its safety, the left part can be fixed by rubber band or to bind the bike and rack



24、 the installation diagram as above