




Bluetooth V4.2 BLE RS-422/485 Serial Adapter


Model: BLE-485C

1. Package content:

<p>BLE RS-422/485 adapter</p>  <p>White Box Dimension: 11 x 6 x 5 (cm) Total Package Weight: 105 g</p> 	<p>Package Contents:</p> <ul style="list-style-type: none"> ● BLE 422/485 adapter x 1 ● A4 User manual x 1 ● Mini USB Cable x 1 
---	---

2. Profile:

2.1 Top view:



LED:
Link: Blue
PWR/Data: Red

Radio Frequency area: Don't cover any metal material or painting.

TX-,TX+,RX-,RX+

Reset to Default

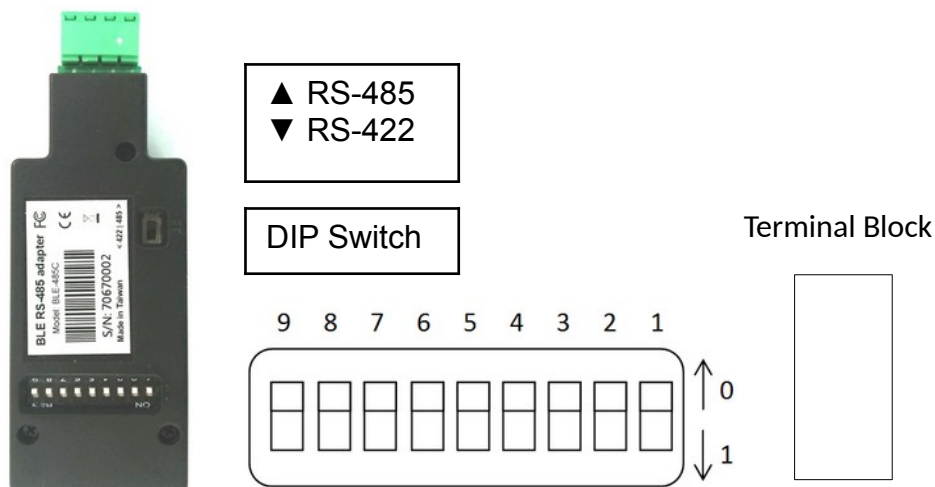
Mini USB (Power)

▲ + (5~27 VDC)
▼ GND

LED Status	Description
Data LED flash	Data transmission
Data LED solid on	No data transmission
Link LED solid on	BLE Link

Link LED flash	No Link
Data & Link LED solid on	OTA Mode

2. Rear view:



Setup	Modbus	Stop Bit	Parity	Role	Baud Rate
DIP9	DIP8	DIP7	DIP6 DIP5	DIP4	DIP3 DIP2 DIP1
0: Switch 1: Command	0: Normal 1: Add CRC RS485 only	0: 1 1: 2	00: None 01: Odd 10: Odd 11: Even	0:Slave	110:2400 111:4800 000:9600 001:19200 010:38400 011:57600 100:115200 101:230400

Remark:

- 000000000 by default, in **red bold** character
- The GATT service and AT command will support more settings than the DIP switch, please check the page 4 section 5 and page 5 section 6.

3. Power supply:

- 3.1 Voltage: 5~27 VDC, **Don't exceed the limit.**
- 3.2 There're 3 ways to power the adapter: Mini USB, Terminal Block and pin9 of DB9, please choose one. **Don't power the adapter by more than two sources.**
- 3.3 The mini USB cable is inside the standard package.

4. Specifications:

4.1 Default value: (BLE Peripheral)

- Baud rate: 9,600 bps
- Data bit: 8

- Parity: none
- Stop bit: 1
- Flow control: none
- Device Name: BLE 485

4.2 COM port:

- Baud Rate: 1.2/2.4/4.8/9.6/19.2/38.4/57.6/115.2/230.4/460.8/921.6 Kbps
- Parity: none/even/odd
- Stop bit: 1/1.5/2
- Data bit: 7/8

Remark: The GATT service and AT command will support all the functions, please check the page 4 section 5 and page 5 section 6.

4.3 Range: max. 50 m in open space

4.4 TX Power: Max. 3 dBm

4.5 RX Sensitivity: -89 dBm typical

4.6 TX current consumption of 15.6 mA (radio only, 0 dbm)

4.7 Operation Temperature: -40 °C to +70 °C

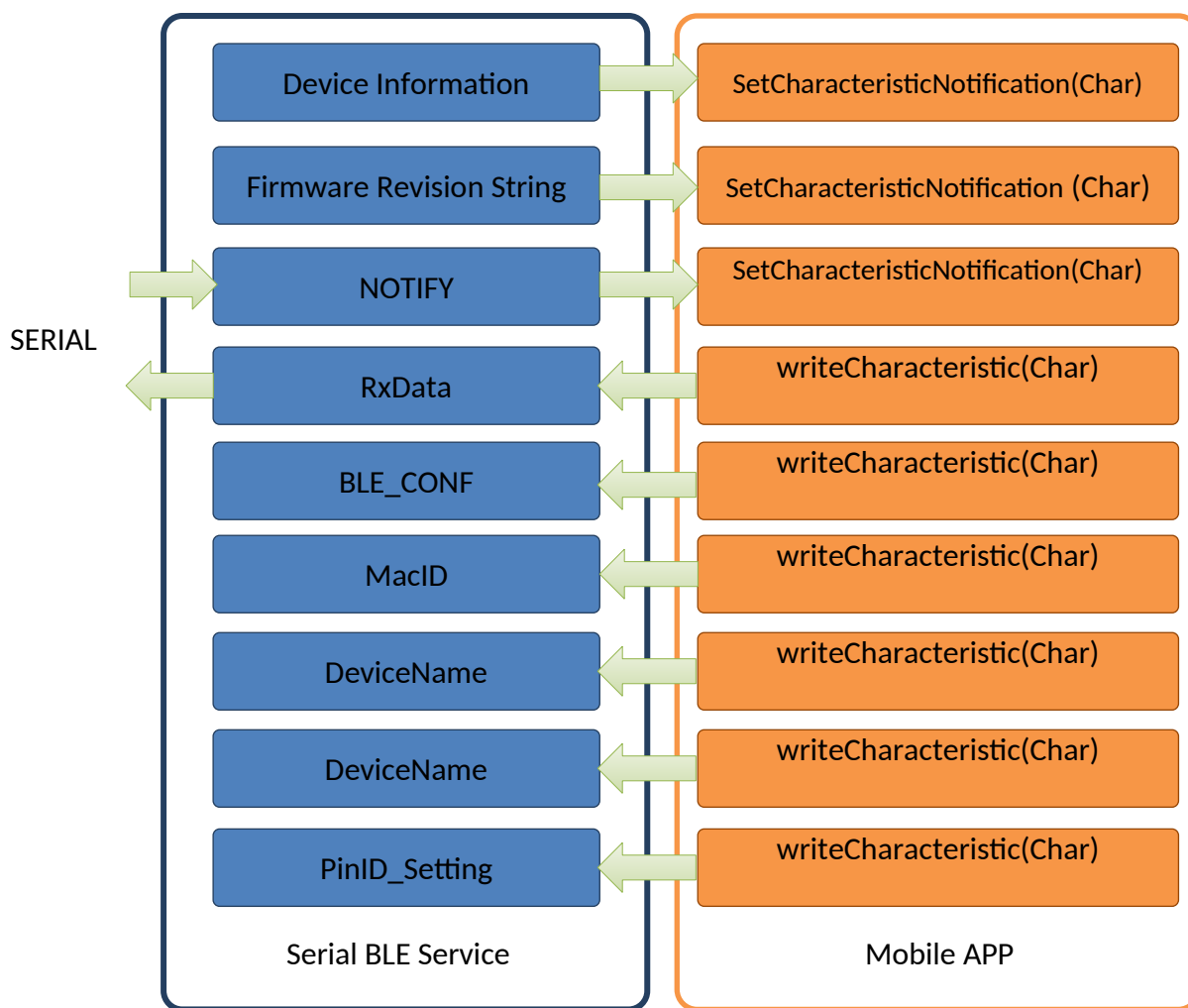
4.8 Dimensions: 81.6 mm (L) x 31.75 mm (W) x 17 mm (H)

4.9 Antenna Gain: max. 2 dB

Remark: All contents are subject to change without notice.

5. GATT Service:

5.1 Architecture:



5.2 Programming Interfaces:

GATT	UUID
UUID_Device Information	0000180A-0000-1000-8000-00805F9B34FB
UUID_Firmware Revision String	00002A26-0000-1000-8000-00805F9B34FB
UUID_NOTIFY (~20 bytes)	00031234-0000-1000-8000-00805F9B0130
UUID_RxData (~20 bytes)	00031234-0000-1000-8000-00805F9B0131
UUID_MacID (6 bytes)	00031234-0000-1000-8000-00805F9B0133
UUID_DeviceName (15 bytes)	00031234-0000-1000-8000-00805F9B0134
UUID_Reboot (1 bytes)	00031234-0000-1000-8000-00805F9B0135
UUID_PinID_Setting (6 bytes)	00031234-0000-1000-8000-00805F9B0136
UUID_BLE_CONF (7 bytes)	00031234-0000-1000-8000-00805F9B0132

Byte0	Byte1	Byte2	Byte3
Data bit	RS-485 CRC	Stop Bit	Parity Bit
7,8	0x01:on 0x00:off	2:1 3:1.5	0x02 : No Parity 0x01 : Odd Parity

		4:2	0x00 : Even Parity
Byte4	Byte5	Byte6	
Baud Rate	Device Mode	Reset To Default	
00:9600	0x00: Peripheral	0x01: Reset	
01:19200			
02:38400			
03:57600			
04:115200			
05:230400			
06:2400			
07:4800			
08:1200			
09 : 460800			
10 : 921600			

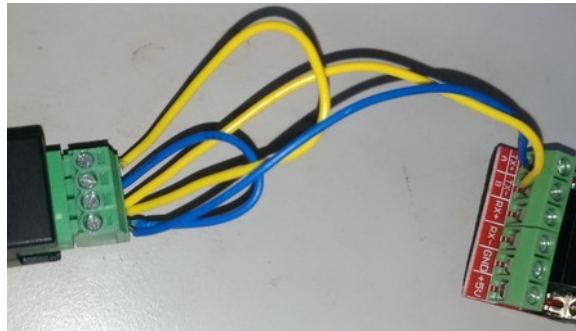
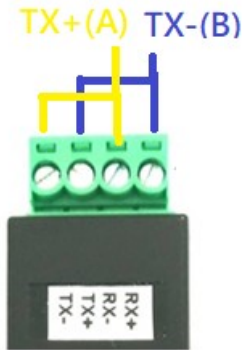
6. Command set via COM port:

Command	Value	Description
AT		Check the connection status between control terminal and the RS-232 adapter. Response: "OK" when the connection is ok. Response: "ERROR" when the connection is not ok.
AT		Test the RS-232 status when first connect the adapter with the controller.
(Default)	N	The command will disable the auto link function.
	?	Inquire the current setting.
BAUD=		This command is used to specify the baud rate of COM port. The command will need 200 ms delay.
	1200	1200 bps
	2400	2400 bps
	4800	4800 bps
	9600	9600 bps
(Default)	19200	19200 bps
	38400	38400 bps
	57600	57600 bps
	115200	115200 bps
	230400	230400 bps
	460800	460800 bps
	921600	921600 bps
	?	Inquire the current baud rate.
BIT=		
	7	7 data bit
	8	8 data bit
	?	Inquire the current data bit

DEFAULT=		This command is used to restore the default settings and originate a warm start.
	Y	Restore the default settings (e.g. 19200 bps). The command will re-start the system for 1 second.
DFU=		Device Firmware Upgrade via PC software. OTA (Over the air) is available to upgrade the firmware by APP
	Y	
ECHO=		This command is used to specify whether the adaptor echoes characters received from the UART back to the DTE/DCE.
	N	Command characters received from the UART are not echoed back to the DTE/DCE.
(Default)	Y	Command characters received from the UART are echoed back to the DTE/DCE.
	?	Inquire the current setting.
FLOW=		This command enable or disable flow control signals (CTS/RTS) of the UART port. Note, the setting is not affected by DEFAULT. The command will need 1 second delay.
(Default)	N	Disable flow control.
	Y	Enable flow control.
	?	Inquire the current setting
NAME=		This command is used to specify a device name for the adaptor. You can specify a friendly name using 0 to 9, A to Z, a to z, space and -, which are all valid characters. Note that "first space or -, last space or - isn't permitted". The default name is "Serial Adaptor".
(Default)	BLE232	Default device name
	xx....xx	"xx....xx" is a character string with the length from 2 to 30.
	R	Restore the default settings name="BLE Serial".
	?	Inquire the name of the local adaptor.
PARITY=		This command is used to specify parity bit setting of COM port. The command will need 200 ms delay.
(Default)	N	None parity bit
	O	Odd parity
	E	Even parity
	?	Inquire the current setting.
PIN=		This command is used to specify a PIN code. The default PIN is "123456". Paired adaptors should have a same PIN. This command is used to specify a PIN.
(Default)	123456	
	xx....xx	"xx....xx" is a 6 number 0~9
	?	Inquire the current PIN.
PROMPT=		The command is used to decide whether result messages are prompted when Setup commands are executed. The result messages are: OK/ERROR for command execution.
(Default)	Y	Prompt result messages.
	N	Not prompt result messages.
	?	Inquire the current setting.
STOP=		This command is used to specify one or two stop bits of COM port.

		The command will need 200ms delay.
(Default)	1	One stop bit.
	2	Two stop bits.
	?	Inquire the current setting.
VERSION=		This command is used to inquire the firmware version.
	?	Inquire the version codes.

7. RS-485 Wire connection



8. APP Download:

Android:

iOS:

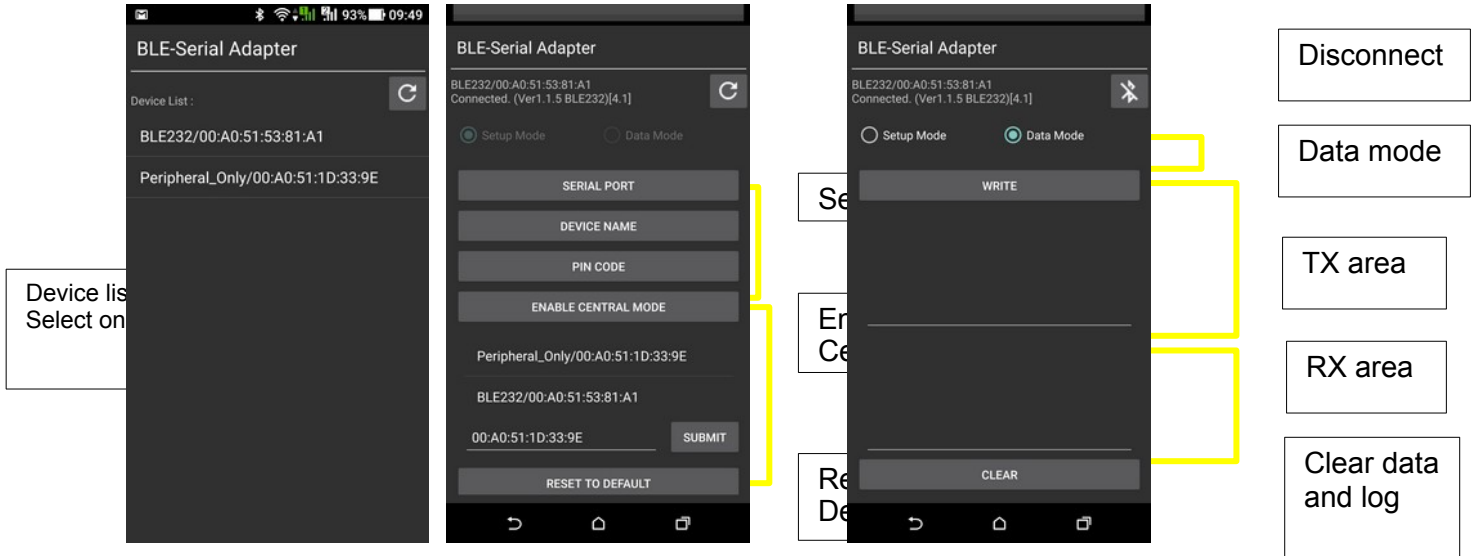


APP Sample code: Please contact the supplier for the test sample code.

The APP is used for the configuration and the data transmission test.

Scan BLE

Setup mode



Scan and select one. Connect and configure Data transmission test.

