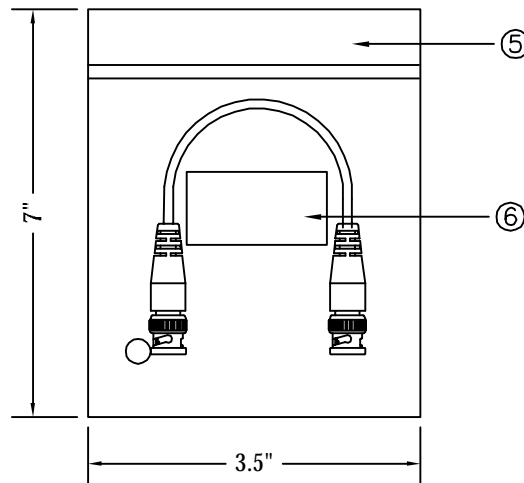
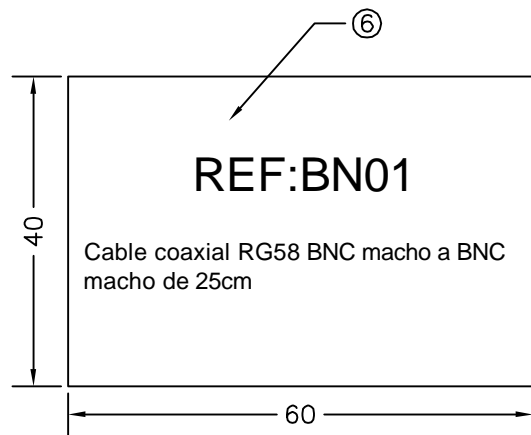
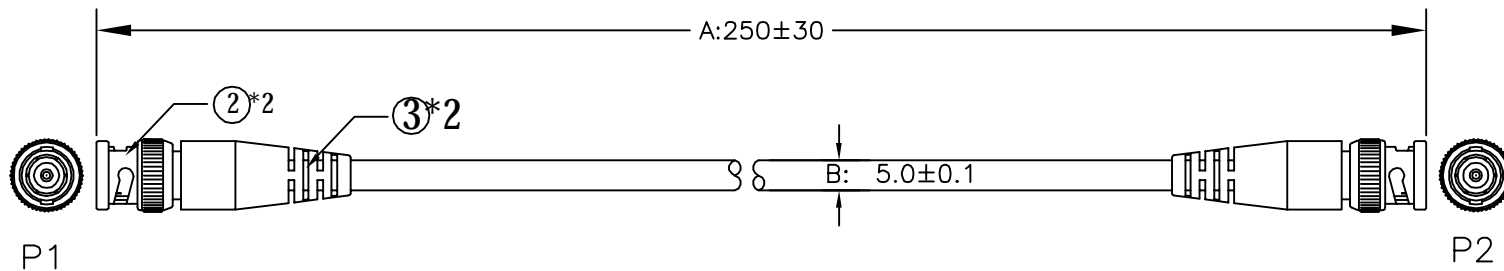
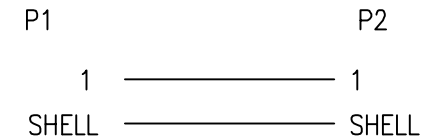


WEIGHT	CUSTOMER NO:	REMARK
36.5g-K1	BN01	Cablematic



PINOUT DIAGRAM:



NOTE:

- 1) DIE NO: OB02001(1 OUT OF 2, 1SET)
- 2) 1PC/PE BAG+LABLE
- 3) ROHS COMPLIANT

3	OUTER JACKET PVC 45Pa BLACK(1101) RoHS
2	BNC PLUG 2PIECES TYPE OD:5.6MM RoHS
1	UL1354 RG58U COAX CABLE BRAID 112# OD:5.0MM BLACK(1101) 250MM RoHS

A	FIRST EDITION	<i>J.Lan</i>	05/08/10
REV.	ECR	DESCRIPTION	C.N. DATE
<small>THESE DRAWINGS AND SPECIFICATIONS ARE THE PROPERTY OF WIRETEK COMPUTER LIMITED AND SHALL NOT BE REPRODUCED COPIED OR USED IN ANY MANNER WITHOUT THE PRIOR WRITTEN CONSENT OF WIRETEK COMPUTER LIMITED.</small>			
<small>UNLESS OTHERWISE SPECIFIED: DIMENSIONS ARE IN MILLIMETERS ANGULAR TOLERANCE: ±1.0°</small>		TITLE	
DIMENSIONS		TOLERANCE	
0.00 TO 30.00mm		±0.10mm	
30.01 TO 80.00mm		±0.13mm	
80.01 TO 150.00mm		±0.15mm	
150.01mm		±0.20mm	
MATERIAL		TITLE	
FINISH		BNC CABLE	
MATERIAL		CHKD.	
FINISH		CONF.	
MATERIAL		DR.	
FINISH		APPD.	
MATERIAL		PART NO.	
FINISH		2402-0590	
MATERIAL		SCALE	
FINISH		SHEET 1/1	
MATERIAL		UNIT MM	
FINISH		SIZE A4	
MATERIAL		REV. A	
FINISH			