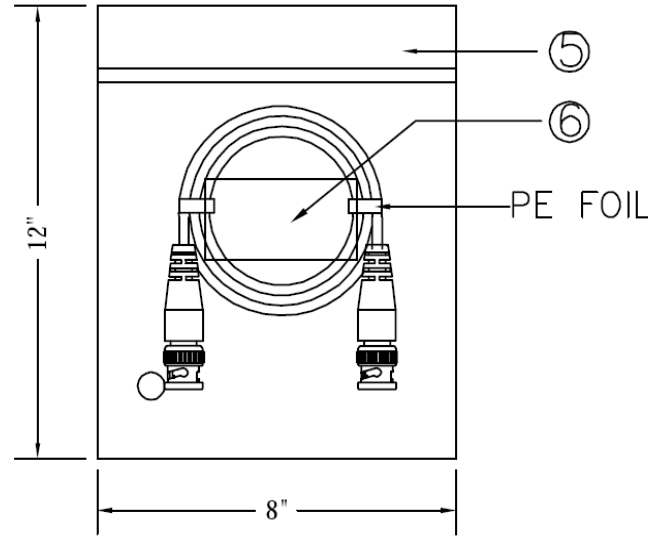
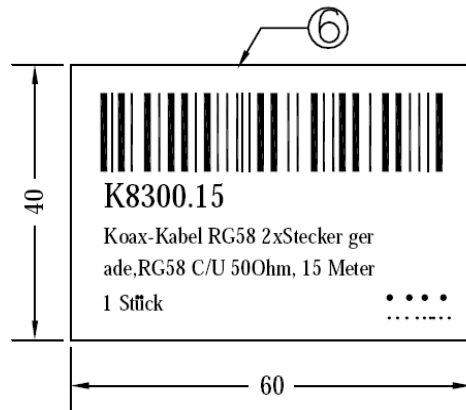
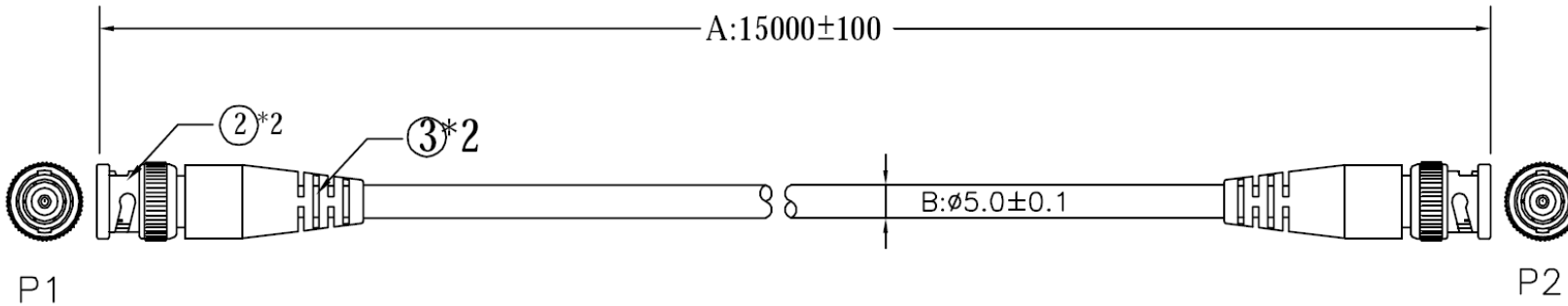
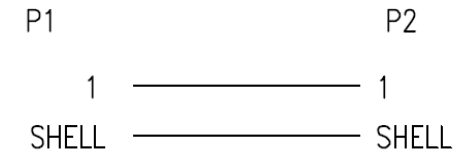


CUSTOMER NO:	REMARK
K8300.15	



PINOUT DIAGRAM:



NOTE:

- 1) DIE NO: OB02001(1 OUT OF 2, 1SET)
- 2) 1PC/PE BAG+LABEL

3	OUTER JACKET PVC 45Pa BLACK(1101) (RoHS)
2	BNC PLUG 2PIECES TYPE OD:5.6MM (RoHS)
1	UL1354 RG58U COAX CABLE BRAID(64) OD:5.0MM BLACK(1101) 15000MM (RoHS)

A	FIRST EDITION	LIN	15/06/06
REV.	ECR	DESCRIPTION	C.N. DATE
THESE DRAWINGS AND SPECIFICATIONS ARE THE PROPERTY OF WIRETEK COMPUTER LIMITED AND SHALL NOT BE REPRODUCED COPIED OR USED IN ANY MANNER WITHOUT THE PRIOR WRITTEN CONSENT OF WIRETEK COMPUTER LIMITED.		TITLE	
UNLESS OTHERWISE SPECIFIED: DIMENSIONS ARE IN MILLIMETERS ANGULAR TOLERANCE: ±1.0°		BNC CABLE	
DIMENSIONS	TOLERANCE	CHKD.	CONF.
0.00 TO 30.00mm	±0.10mm		
30.01 TO 80.00mm	±0.13mm	DR.	APPD.
80.01 TO 150.00mm	±0.15mm	LIN	
150.01mm	±0.20mm	PART NO.	2402-0446
MATERIAL	MATERIAL	SCALE	SHEET 1/1 UNIT MM SIZE A4 REV. A
FINISH	FINISH		