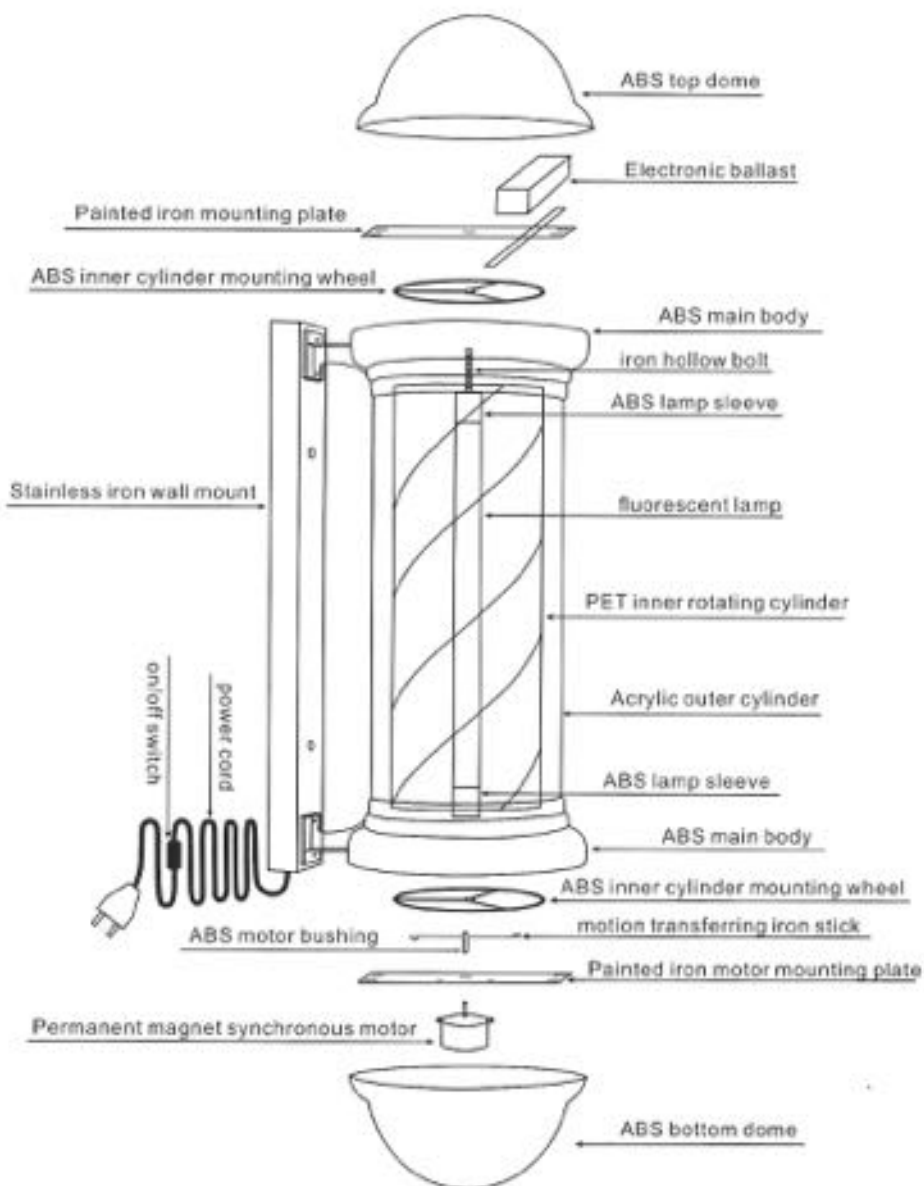


■ Exploded diagram



INSTRUCTION

Rotating Barber Pole Light

Thank you for purchasing one of our products. Please read the instruction of use and basic safety instructions before use and always adhere to them.

BUY ON

www.cablematic.com

■ Technical date:

Voltage: 100-120V 220-240V Frequency: 50/60Hz

Cord length: 1.5 meter

Motor speed: 50/60RPM

■ How to use:

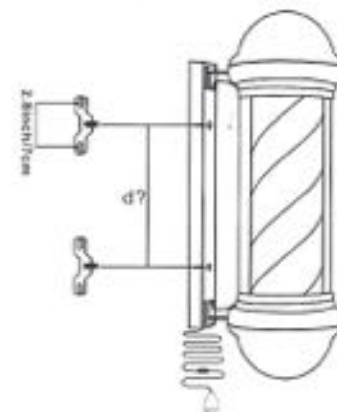
1. Connect the appliance to the right power supply.
2. Press the switches on the power cord to light up and start rotating. One switch control the light and another control the rotating.
3. Press the switches to turn it off and remember to plug off after use.
4. While the weather is cold, the light can be little darker than usual at the beginning, then it will become bright gradually. That is normal phenomenon.

■ Safety instruction:

1. Keep the plug and switches away from water and other liquids. You'd better put the switches indoor.
2. Install it high enough to keep it away from children.
3. Install it on solid surface to make sure it will not fall down.
4. Always plug off after use.
5. Attention that the edge of the stainless wall mount is little sharp, be careful of that.
6. Though the barber pole can bear normal rain, we still suggest you to install under some cover like roof, eave. Keep it away from rain and strong sunshine can extend the barber pole's useful life.
7. Do not leave the appliance unattended while being used. Children should be supervised to ensure that they do not play with the appliance.
8. This appliance is not intended for use by persons (including children) with reduced physical, sensory or mental capabilities, or lack of experience and knowledge, unless they have been given supervision or instruction concerning use of the appliance by a person responsible for their safety.

■ How to install:

1. First you should try to make sure it works before you install the barber pole.
2. You will need a electric drill to drill holes for the swell plastic buttons. 8mm diameter drill is suggested
3. First you can install the upper bracket. Make sure it's perpendicular to the plane.
4. Second, measure out the distance "d"----the distance between the two hole on the wall mount.
5. Then you can use a string to help you to confirm the position of the other bracket. Tie the string to the screws of the two brackets, make the length of the string between those two screws equal to "d". Then let the under bracket go and it will find its position. This can not only make sure the distance of the bracket is right, but also perpendicular.
6. After you install those two bracket, you just need that let the two bolt pass through the two hole on the mount and screw in the two nuts.



■ Circuit diagram

