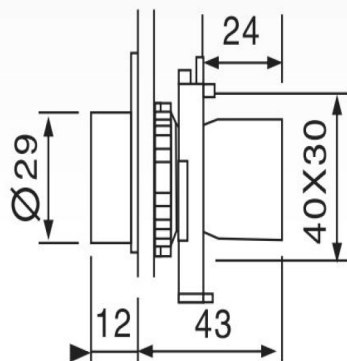
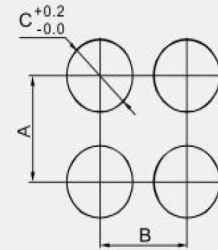


Parameters

Operating Temperature	-25°C ~ +55°C	
	(No freezing) Keep the air flowing around illuminated pushbutton	
Operating humidity	45~85%RH	Non condensing
Contact material	Silver	
	Silver alloy	
	3μm	
	Silver plated gold, Plating thickness 3μm	
Contact Resistance	≤50mΩ	
Insulation Resistance	≥100MΩ	
Dielectric Strength	3000V, AC50Hz	
Vibration Resistance	50Hz,	1.0mm Amplitude 1.0mm
Shock resistance	>10g	
	Momentary	100 1,000,000 times
Mechanical Life	Latching button, Selector switch	50 500,000 times
	Key switch, E-stop switch	20 200,000 times
Electrical Life	5	Above 50,000 times
Terminal	1x0.5mm ² , :2x1.5mm ² 或1x2.5mm ²	
	Screw terminal, connecting ability: Min : 1x0.5mm ² , Max : 2x1.5mm ² or 1x2.5mm ² (with or without connecting link)	
Operating Force	800gf~2200gf, 800gf~2200gf, according to the quantity of switch units	
Operating Travel	5.5mm (Buton) About 5.5mm	



Mounting Hole Size



Panel thickness is 0.5~5mm

Model	A	B	C
Pushbuttons/Key switches	≥50	≥40	Ø22.5
Selector switches	≥55	≥40	Ø25.5
Mushroom head	≥50	≥50	
Big Mushroom head	≥70	≥70	

2.A

Note: 1. Can be used in 25mm installation hole with a diameter changing circle.

2. A and B are both the min. dimensions.

Switch Rating

Rated insulation voltage	AC600V					
Conventional thermal current	10A					
	Rated Voltage	24V	48V	110V	220V	380V 500V
	DC	10A	5A	2.2A	1.1A	
	AC PF=0.7			10A	6A	4A 2A

LED

LED Lamp Specifications

Lamp Type	Bi-directional LED lamp	
Rated Voltage	AC/DC 6V, 12V, 24V, 110V, 220V, 380V AC110V, 220V, 380V	
Rated Current	20mA about 20mA	
Color	R G O B W	
Life	40000	40000 hours (reference value)

Note: 1. The lamp contains current-limiting resistor inside and doesn't need connect outside.
2. The standard is using AC/DC LED lamp, DC LED lamp, dual-color LED lamp and other voltages can be customized, customized if you need.