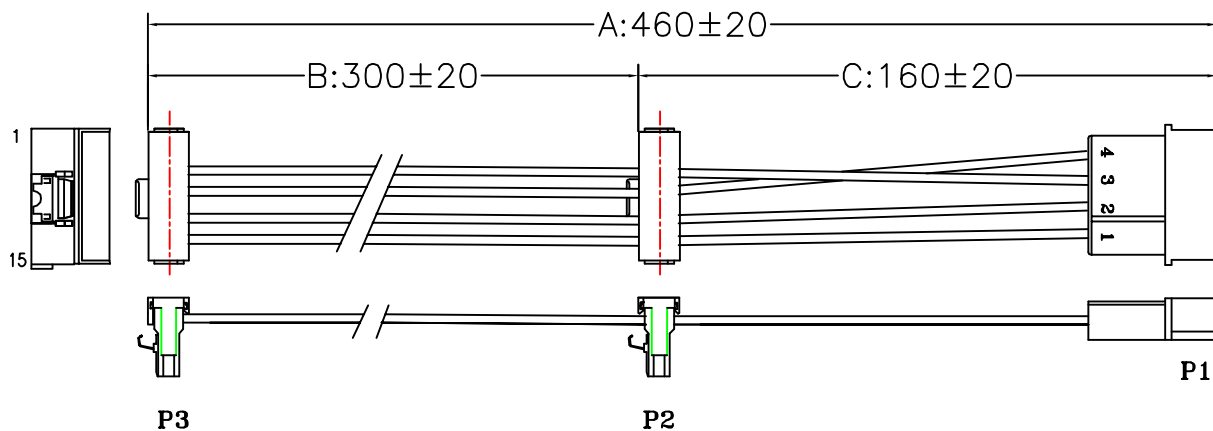


# POWER CABLE Using 4P TO SATA 15P 2 (W/LATCH LOCK) 40WR15

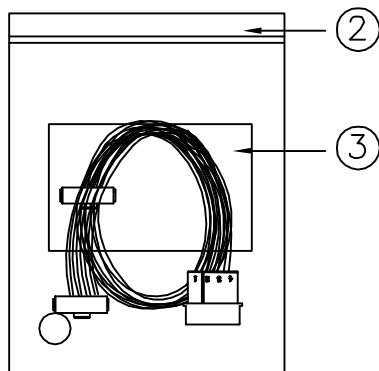
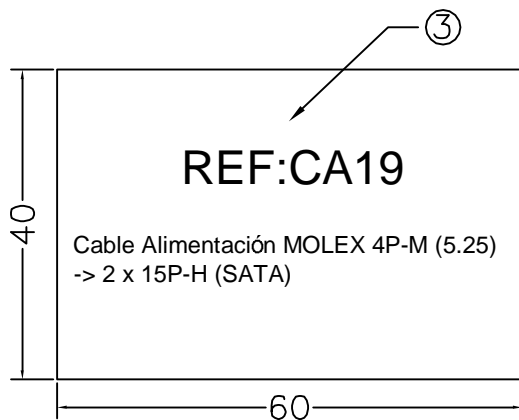
WEIGHT	CUSTOMER NO:	REMARK
	CA19	Cablematic



RED  
BLACK  
BLACK  
YELLOW

### PINOUT:

P3		P2		P1
1		1		
2		2		
3		3		
4		4		
5		5	BLACK	3
6		6		
7		7		
8		8	RED	4
9		9		
10		10		
11		11	BLACK	2
12		12		
13		13		
14		14	YELLOW	1
15		15		



### NOTES:

1) 1PCS/PE BAG+LABEL.

A	FIRST EDITION	J.Lan	06/08/10
REV.	ECR	DESCRIPTION	C.N. DATE
<small>THESE DRAWINGS AND SPECIFICATIONS ARE THE PROPERTY OF WIRETEK COMPUTER LIMITED AND SHALL NOT BE REPRODUCED COPIED OR USED IN ANY MANNER WITHOUT THE PRIOR WRITTEN CONSENT OF WIRETEK COMPUTER LIMITED.</small>			
<small>UNLESS OTHERWISE SPECIFIED: DIMENSIONS ARE IN MILLIMETERS ANGULAR TOLERANCE: ±1.0°</small>		TITLE	
		SATA POWER CABLE	
DIMENSIONS	TOLERANCE	CHKD.	CONF.
0.00 TO 30.00mm	±0.10mm		
30.01 TO 80.00mm	±0.13mm	DR.	APPD.
80.01 TO 150.00mm	±0.15mm	J.Lan	
150.01mm	±0.20mm	PART NO.	2600-3799
MATERIAL	MATERIAL	SCALE	SHEET 1/1 UNIT MM SIZE A4 REV. A
FINISH	FINISH		