

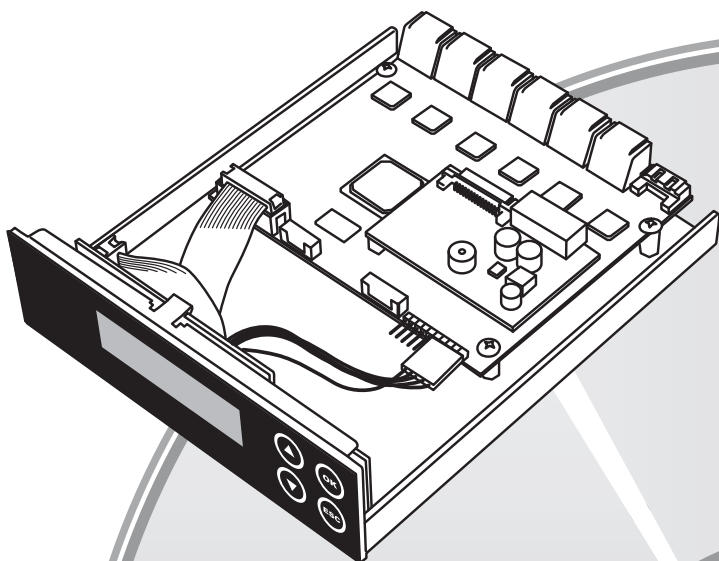
BDI8 SERIES

Blu-ray/DVD/CD

Duplicator Controller

User Guide

V6.20



Content Index

Chapter 1. Basic Introduction

1. Features.....	3
2. System Overview.....	3
2-1. Package Content.....	3
2-2. SATA DVD/Blu-ray Duplicator Controller.....	3
2-3. Installation of SATA Controller.....	4

Chapter 2. Function Table

Function Table.....	5
---------------------	---

Chapter 3. Quick Operation Guide

1. Disc-to-Disc Copy.....	8
2. Disc through Intermediate HDD Copy.....	9
3. Load-and-Copy.....	11

Chapter 4. Function Operation

1. Copy.....	13
2. Test.....	14
3. Compare.....	14
4. Copy + Compare.....	15
5. Set Burn Speed.....	16
6. Select Source.....	16
7. Utility.....	17
7-1. Information.....	17
7-2. Erase Disc.....	18
7-3. PreScan Source.....	19
7-4. Track Edit.....	20
7-5. Eject All Disc.....	20
7-6. Copy Counter.....	20
7-7. Update BIOS.....	21
7-8. PRINT LS Label.....	21
8. Setup.....	22
8-1. Auto Start Time.....	22
8-2. Display Mode.....	22
8-3. Button Beep.....	23
8-4. Eject On Start.....	23
8-5. Reader Speed.....	23
8-6. Compare Speed.....	23
8-7. Language.....	23
8-8. Clear Setup.....	23
8-9. Advanced Setup.....	23
8-10. Count Password.....	24
8-11. Eject tray if no disc.....	25
8-12. Fast Key.....	25
9. HDD Manager (For HDD-installed duplicator)...	25
9-1. Select Image.....	25

9-2. Disc to Image.....	25
9-3. Set Reader Speed.....	26
9-4. Show Image Info.....	26
9-5. Rename Image.....	26
9-6. Delete Image.....	27
9-7. Show HDD Info.....	27
9-8. Format HDD.....	27
9-9. Load & Copy.....	38

Specification

Specification.....	29
--------------------	----

Appendix

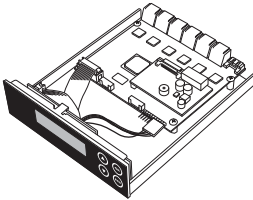
Lightscribe Operation.....	30
----------------------------	----

1. Features

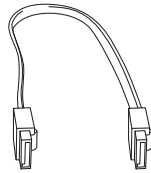
- Independent 13, 9 SATA ports can really achieve high speed 1-12, 1-8 DVD/Blu-ray duplication.
- Advanced separate analog and digital control board design prevent signal interference, enhance control board's power supply and stability.
- High speed DDR2 SDRAM.
- Support high speed 52× CD, 24× DVD, 12× Blu-ray burning.
- High compatibility with variety brands of burner.
- Auto Load & Copy Technology.
- Easy assembly SATA port arrangement.
- Support Lightscribe printing.

2. System Overview

2-1. Package Content



Controller

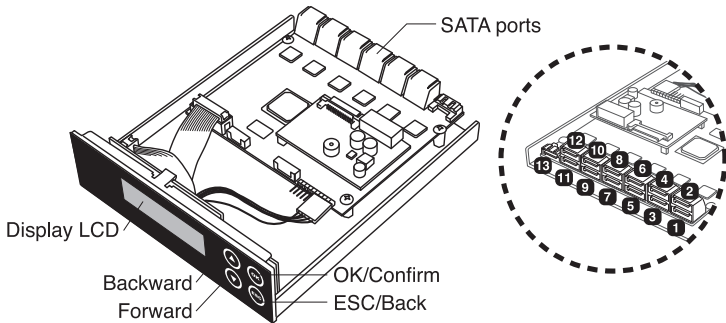


SATA Cables(180°)



User Manual

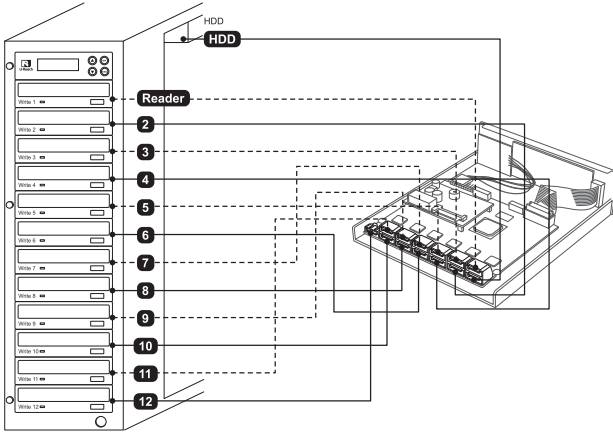
2-2. SATA DVD/Blu-ray Duplicator Controller



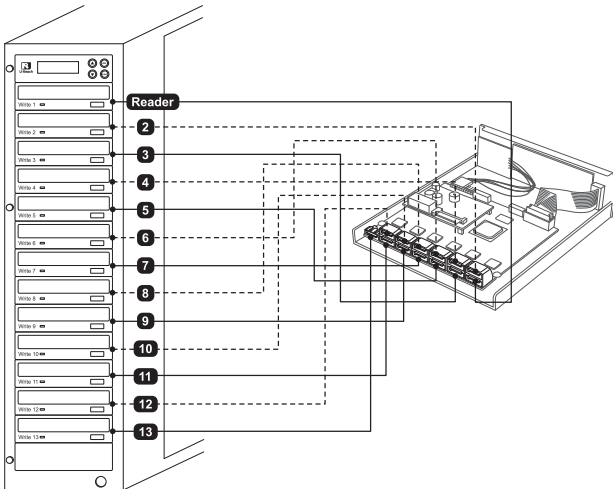
Chapter 1. Basic Introduction

2-3. Installation of SATA Controller

Example: BD1813 with HDD installed



Example: BD1813 without HDD



**Each SATA port is independent (without Master and Slave ports).

Chapter 2. Function Table

Function	Sub-function	Description
1 Copy		To copy disc to disc or copy disc fromHDD.
2 Test		To simulate copy process.
3 Compare		To bit by bit compare between source disc and copied discs.
4 Copy & Compare		To copy first and compare the copied discs later. To ensure data correctness.
5 Set Burn Speed		To set burning speed for duplication.
6 Select Source		To select source from any optical driveor hard disk drive.
7 Utility	1 Information	① Disc Info. To check the format of disc, burningspeed supported and total capacity or data size.
		② Drive Info. To check the version, model No. andbrand name.
		③ System Info. To check the model No. and firmware version.
	2 Erase Disc	① Quick Erase To quick erase data from rewritable disc.
		② Full Erase To full erase data from rewritable disc.
	3 PreScan Source	To check source disc's readability.
	4 Track Edit	① Copy Track To select and combine audio tracks from various CDs into a single customized audio CD.
		② Close Disc To close the disc after track copying to make the CD playable on CD player.
		③ Disc Info. To check the audio CD's status of usage.
	5 Eject All Disc	To eject all trays.
	6 Copy Counter	① Show Count To check how many d i scs copy successfully and failed.
		② Enable Counter To enable or disable counter setting.
		③ Clear Counter To delete the record.
7 Update BIOS	To update the system's firmware.	
8 PRINT LS Label	To print Lightscribe image.	

Chapter 2. Function Table

8 Setup	1 Auto Start Time	Allow the system to do the Copy, Test, Compare and Copy + Compare functions automatically.
	2 Display Mode	1 Basic
		2 Show Speedr
		3 Show Time
	3 Button Beep	
	4 Eject On Start	1 Eject All Discs To eject all trays with disc inside once the system is booted up.
		2 Do Not Eject No eject any tray or disc once the system is booted up.
		3 Eject Target Only Only eject target trays with disc inside once the system is booted up.
		4 Eject Source Only Only eject source disc once the system is booted up.
		5 Eject All Trays To eject all trays once the system is booted up.
	5 Reader Speed	To adjust the reading speed of source drive.
	6 Compare Speed	To adjust the speed of drives while comparing.
	7 Language	
	8 Clear Setup	To reset all the function back to manufacturer's default setting.
	9 Advanced Setup	1 Power On Time To set a warm-up time from 5 seconds to 99 seconds.
2 Startup Menu To select which function you would like to show up in the beginning		
3 Skip Reader Error To set skip the read error and keep copying.		
4 Change Bad Master To make the system eject source disc and ask for another one while the source disc is unreadable for system.		
5 CD Overburn Set to copy overburn CD.		
6 Show HDD Image Name To show HDD image name or capacity on Copy, Test, Copy + Compare and Compare function.		
7 Keep Buffer To set enable or disable load source to the buffer.		
8 Boot Password To enable or disable the user administrative password.		
9 Setup Password To set up the login password		
10 Count Password To set up the counter password		
11 Eject tray if no disc		
12 Fast Key Only available for uSATA		

Chapter 2. Function Table

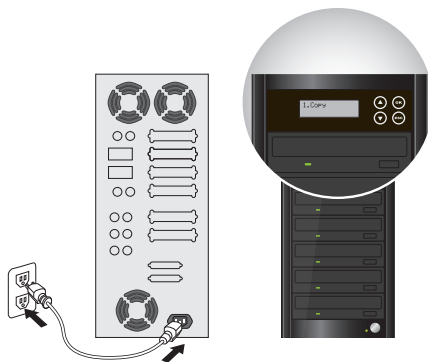
9 HDD Manager	1 Select Image	To select image file from HDD as your source for copy.
	2 Disc=> Image	To load your source disc to the built-in HDD.
	3 Set Reader Speed	To adjust the speed of source reader while you load image file from the reader to HDD.
	4 Show Image Info.	To check the disc format and data size of image file.
	5 Rename Image	To change the name of image file.
	6 Delete Image	To delete image file in the built-in HDD.
	7 Show HDD Info.	To check the information of the builtin HDD includes how many discs are stored and the free space is available.
	8 Format HDD	To format the built-in HDD.
	9 Load & Copy	① Synchronous To load the source to HDD and make copy at the same time. ② Load First To load source to HDD first and copy from HDD to disc. ③ OFF To disable Load & Copy function.

Chapter 3. Quick Operation Guide

1. Quick Guide for Direct Disc-to-Disc Copy

- ① Connect power cord and power on.

The LCD screen will display "1.Copy" once the machine is started; otherwise, press Up or Down until you see "1.Copy".



- ② Insert source disc in the first drive from the top (by default).
③ Insert target disc(s) in any drive(s) except the top one.

```
1.Copy x 3
Source:DVD4462M
```

- ④ Press **OK** to start copy.

```
Copy    x3    4462M
10.0x   3%    163M
```

- ⑤ Once finished, target disc(s) will be ejected automatically.

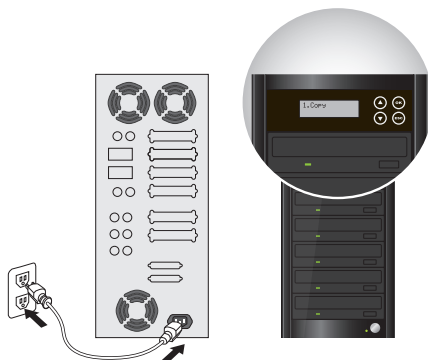
```
Copy 02:48
PASS 3 FAIL 0
```

By default, duplicator will start copying 5 seconds after source and target disc(s) are inserted, please refer to 8-1 of detailed User Guide if you need to change this setting.

2. Quick Guide for Disc to Disc through Intermediate HDD Copy for duplicators with a built-in HDD

- ① Connect power cord and power on.

The LCD screen will display "1. Copy" once the machine is started; otherwise, press Up or Down until you see "1. Copy".



- ② Insert source disc in any drive.
- ③ Press Up or Down until you see "9.HDD Manager".
- ④ Press **OK** to enter submenu, then navigate until you see "1.CD => Image".

```
[HDD Manager]
1.CD => Image
```

- ⑤ Press **OK** to start loading source disc to an image file on the HDD.

```
DVD==>[A001]
50% 465MB
```

```
DVD==>[A001]
Finished !
```

Chapter 3. Quick Operation Guide

- ⑥ Once the loading is done, the source disc will be automatically ejected.
- ⑦ Go to "6.Select Source" , select file name
- ⑧ Go to "1.Copy"

```
1.COPY x 3  
Source:H(A001)
```

- ⑨ Insert target disc(s) in any drive(s)

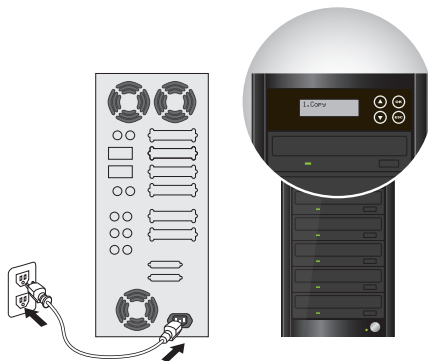
```
COPY    X3    4462M  
10.0x   3%    163M
```

- ⑩ Press **OK** to start copy.
- ⑪ Once finished, target disc(s) will be ejected automatically.

```
COPY 02:48  
PASS 3 FAIL 0
```

3. Quick Guide for Load-and-Copy for duplicators with a built-in HDD

- ① Connect power cord and power on.
The LCD screen will display "1.Copy" once the machine is started; otherwise, press Up or Down until you see "1.Copy".



- ② Go to "9.9 Load and Copy"

Select "Synchronous": the system will load the source to HDD and make copy at the same time.

Select "Load first": the system will load source to HDD first and take HDD as source to copy.

Select "OFF" to close this function.

- ③ Press Up or Down until you see "1.Copy".
- ④ Insert target disc(s) in any drive(s)

```
1.Copy x 3
Source: DVD4462M
```

Chapter 3. Quick Operation Guide

- ⑤ Press **OK** to start copy.

```
COPY    X3    4462M
10.0X   3%    163M
```

- ⑥ Once finished, target disc(s) will be ejected automatically.

```
COPY 02:48
PASS 3  FAIL 0
```

Chapter 4. Function Operation

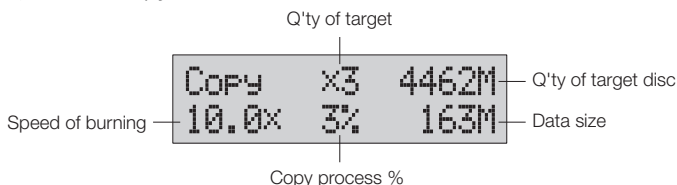
1. Copy

It is important to make sure that your source disc is placed in the right drive. You can check or select your source reader by [6.Select Source](#). (please refer to [6.Select Source](#), page 17)

- 1 Select [1.Copy](#) and place source disc and blank discs into the proper trays. Then the system will detect the source disc and show the information.



- 2 Press **OK** to start copy.



- 3 Once the copy task is finished, the copied discs will be ejected and the result of copy task will show on the LCD:



Due to default setting of auto start time, the duplicator will start to copy automatically within a few seconds. You can set "OFF" to close the auto start function or set a longer waiting time. The default setting is 5 seconds. (About this setting please refer to [8-1.Auto Start Time](#), page 23)

If HDD is selected to be the source reader, you have to upload the source to the built-in HDD and then follow copy process to do your copy task. How to upload data from disc to HDD please refer to [9-2.Disc to Image](#), page 27.



The default setting of source reader is the first drive.

Chapter 4. Function Operation

2. Test

This function will simulate the copy process to ensure error free duplication. During the simulation, it will be nothing left in the recordable discs.

- 1 Using ▲/▼ to select 2.Test and press .

```
2.Test × 3  
Source:DVD4462M
```

- 2 Press **OK** to start test.

```
Test × 3 4462M  
10.0× 50% 163M
```

- 3 Once the test task is finished, the discs will be ejected and the result of the pass and fail discs for the test task will show on the LCD:

```
TEST 02:48  
PASS 3 FAIL 0
```



- ① This function is unable to support DVD+R blank disc.
- ② If you use CD/DVD rewritable discs as your blank media in the simulation, all the content inside the discs will be erased permanently during test simulation.

3. Compare

This function will do bit-by-bit comparison between source disc and copied discs to ensure the copied discs are identical to source disc.

- 1 Place source disc and blank discs into Reader and Writer separately.
- 2 Using ▲/▼ to select 3.Compare and press to **OK** start compare.

```
3.Compare × 3  
Source:DVD4462M
```

Chapter 4. Function Operation

3 The system will detect the source and target discs automatically.

4 After detecting, the system will start to compare.

```
Comparex3 4462M
0.0x 50% 08:12
```

5 When the comparison has finished, the system will show the compare result.

```
Compare
Finished!
```

```
Compare 05:06
PASS 3 FAIL 0
```

4. Copy + Compare

This function will do copy task first and execute comparison automatically when copy process has been finished.



In Copy, Test, Compare and Copy+Compare functions.

① If there is no source and target discs inside the duplicator, there will be nothing show on LCD.

```
1.Copy
Source:No
```

② If the built-in HDD is selected as source, the information presents different:

```
Copy x 3
Source:H(A001) — Image file name
```

③ The information display of these 4 functions will be different based on the display mode you selected. (Please refer to 8-2.Display mode, page 23)

Chapter 4. Function Operation

5. Set Burn Speed

You can adjust the burning speed of CD/Audio CD/DVD/DVD DL/Blu-ray by this setting. The default setting of CD is 40×, Audio CD 24×, DVD 8×, DVD, DL 2× and Blu-ray 2×.

- 1 Using ▲ / ▼ to select 5.Set Burn Speed and press **OK**.



5.Set Burn Speed

- 2 Pressing ▲ / ▼ to adjust the burning speed of CD and press **OK** to confirm it, or press **OK** to select Audio CD,DVD, DVD DL or Blu-ray to adjust the burning speed.



[Burn Speed]
CD = 40

6. Select Source

You can set any drive or built-in HDD in the duplicator to be your source reader.

- 1 Using ▲ / ▼ to select 6.Select Source.



6.Select Source

- 2 Press **OK** to check the current source reader, or select the proper drive to be the source reader by pressing ▲ / ▼, once the source reader is selected, press **OK** to confirm the setting and back to the menu list.



Source: [D#01]
==> [D#01]



The default setting of source reader is the first drive.

7. Utility

7-1. Information

You can check the information of disc, drive and system by this function. By pressing \blacktriangle / \blacktriangledown , each disc or drive's information will show on the LCD.

- Using \blacktriangle / \blacktriangledown to select 7.Utility, press OK to enter the sub menu. Then, select 1.Information and press OK .



```
7.Utility
```

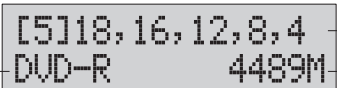


```
[Utility]  
1.Information
```

- Using \blacktriangle / \blacktriangledown to select 1.Disc Info. or 2.Drive Info. or 3.System Info., and press OK to see the related information.

- The information will show on the LCD as below:

- Disc Info.: You can check the format of disc, burning speed supported and total capacity. If the disc has data inside, you also can check the size of data.



```
[5]18,16,12,8,4  
DVD-R 4489M
```

Disc format — Burning speed — Capacity / Data size

- Drive Info.: The version, model No. and brand name can be checked here.



```
[#]Port 2.0 1.03  
Pioneer DVD RW
```

— Drive Version — Brand name

- System Info.: The model No. and firmware version can be checked here.



```
BD 1809  
V2.25.2
```

Chapter 4. Function Operation

7-2. Erase Disc

This function will erase the rewritable discs in WRITER tray, there are two erase modes available:

- Quick Erase: It will erase the INDEX of the rewritable disc.
- Full Erase: It will erase ALL DATA in the rewritable disc, which takes longer time than Quick Erase.

1 Place discs into writers.

2 Using ▲ / ▼ to select 7.Utility and press Ⓞ to enter the sub menu. Then, select 2.Erase and press .

```
7.Utility
```

```
[Utility]  
2.Erase
```

3 Using ▲ / ▼ to select 1.Quick Erase. or 2.Full Erase.

```
[Erase Disc]  
1.Quick Erase
```

OR

```
[Erase Disc]  
2.Full Erase
```

4 Pressing Ⓞ to execute the erasing task. When the system is detecting the discs, you will see the colon flashing.

The Second Drive —

```
Quick Erase Disc  
_ : _____
```

5 When the erase job is in process, you should see the O and o are blinking by turns.

```
Quick Erase Disc  
_ O _____
```

Chapter 4. Function Operation

- 6 Once the erase task has finished, the O stop blinking, the disc will be ejected automatically.

```
Quick Erase Disc
-----
```



- ① If you see F and f are blinking by turns, which means the whole new DVD+RW is in format process.
② Erase function only support rewritable discs.

7-3. PreScan Source

This function will scan and detect any bad sectors existing in the source disc, which helps you to ensure the readability of source disc.

- 1 Place a source disc into reader.
- 2 Using ▲ / ▼ to select 7.Utility and press **OK** to enter the sub menu. Then, select 3.Prescan Source and press **OK** to start scan task.

```
[Utility]
3.Prescan Source
```

- 3 When prescan task is in process, you can see the process on the display:

```
Prescan 4462M
0:50 30% 1300M
```

Labels for the display:

- Data size: 4462M
- Elapsed time: 0:50
- Scan process %: 30%
- Scanned data size: 1300M

- 4 When the prescan task has finished, the result of prescan will be shown on the LCD.

```
Prescan 4462M
PASS !
```

Chapter 4. Function Operation

7-4. Track Edit

This function enables you to combine audio tracks from various CDs into a single customize audio CD.

- Copy Track: You can select and combine audio tracks from different CDs in this section.
- Close Disc: You have to perform this function after copy track to make the CD playable on CD player.
- Disc Info.: You can check the audio CD's status of usage.

7-5. Eject All Disc

You can eject all discs including source and target discs at the same time by this function.

7-6. Copy Counter

This function will record the result of duplication.

- Show Count: You can check how many discs copy successful and failed.
- Enable Counter: You can set the counter enable or disable to record the copy result.
- Clear Counter: You can delete the record by this function.

- 1 Using ▲ / ▼ to select 7.Utility and press to enter the sub menu. Then, select 6.Copy Counter and press **OK**.



```
[Utility]
6.Copy counter
```

- 2 Using ▲ / ▼ to select 1.Show Count.



```
[Copy counter]
1.Show Count
```

Chapter 4. Function Operation

- Pressing **OK** to check the calculation of successful and failed duplication for CD and DVD.

Q'ty of passed CD		
CD	P6	F0
DVD	P12	F0

Q'ty of failed CD

7-7. Update BIOS

You can update the system's firmware in this function.

- Place manufacturer certified update file CD into any drive
- Pressing **▲** / **▼** to select 7.Utility and sub menu 7.Update BIOS and then press to start the process **OK**.

```
[Utility]
7.Update BIOS
```

- The system will detect the update file and execute update task automatically.

```
Update Firmware
                20%
```

- Once the update job has done, the system will require you to reboot the system.

```
TURN OFF, WAIT 5
Second, TURN ON
```



Do NOT save the firmware in a folder. The system can not detect the file if you save it in a folder.

7-8. PRINT LS Label

This function will let you using the Lightscribe technology to print your own image on discs.

The operation process please refer to Appendix Lightscribe Operation.

Chapter 4. Function Operation

8. Setup

8-1. Auto Start Time

This setting will allow the system to do the Copy, Test, Compare and Copy + Compare functions automatically in a few seconds once the source and blank discs are placed in the trays and detected by the system. The default setting is 5 seconds. You can set a longer/shorter time from 1 to 99 seconds or set OFF to disable this function and execute copy task by manual.

- 1 Pressing ▲ / ▼ to select **8.Setup** and sub menu **1.Auto Start Time**.

```
[Setup]
1.Auto StartTime
```

- 2 Pressing ▲ / ▼ to set the time.

```
[Auto StartTime]
5 seconds
```

8-2. Display Mode

You can select the preferred display mode in Copy, Test, Compare, Copy+Compare.

- Basic: It will only show the copy process (%) on LCD.

		Q'ty of target	
	1.Copy x5	900M	Data size
Copy process %	77%	693M	Copied size

- Show Timer: It will show the time for copy.

	1.Copy x5	900M	
Elapsed time	0:41	77%	693M

- Show Speed: It will show the speed of burning during copy process.

	1.Copy x5	900M	
Speed of burning	16x	77%	693M

8-3. Button Beep

This setting will allow you to set up to hear a beep when a button is pressed or not.

8-4. Eject On Start

You can make the trays or discs eject once the system is booted up.

- Eject All Discs: To eject all trays with disc inside once the system is booted up.
- Do Not Eject: No eject any tray or disc once the system is booted up.
- Eject Target Only: Only eject target trays with disc inside once the system is booted up.
- Eject Source Only: Only eject source disc once the system is booted up.
- Eject All Trays: To eject all trays once the system is booted up.

8-5. Reader Speed

This setting allows you to adjust the reading speed of source drive. The default setting of reader speed of CD is 40 × ; DVD is 24 × .

8-6. Compare Speed

The reading speed of drive and disc are the reasons can affect the quality of comparison. This setting allows you to adjust the reading speed of drives to match up the reading speed of discs. The default setting of CD's compare speed is 40 × , DVD is 8 × .

8-7. Language

You can set a proper language for interface during operation.

8-8. Clear Setup

This setting will reset all the function back to manufacturer's default setting.

8-9. Advanced Setup

- Power On Time: You can set a warm-up time from 5 to 99 seconds for warming up the duplicator when it is turned on. The default setting is 10 seconds.
- Start-up Menu: You can select which function you would like to show up in the beginning.

Chapter 4. Function Operation

- Skip Read Error: You can set this function enable to skip disc errors in order to avoid bad quality of copy. If you are confident of your source disc has only a small and insignificant error due to physical damages and can be overlooked, you can set NO to disable this function.



Skip Read Error can not fix the error in the source disc, all it does is skipping the errors and keeps copying the rest of readable data.

- Change Bad Master: This setting will make the system eject source disc and ask for another one while the source disc is unreadable for system.
- CD Overburn: The majority of discs have a small margin of extra groove at the outer edge. This setting allows you to copy data over the normal size limit.
- Show HDD Image Name: You can select to show HDD image name or capacity on Copy, Test, Copy + Compare and Compare function.

1. Copy
Source: H(A001)

1. Copy
Source: H(CD702)



When you change the source from drive to HDD, the LCD will show the HDD information. How to change your source reader please refer to [6.Select Source](#), page 11.

- Keep Buffer: You can set Yes to load source disc to buffer in first round of Copy, Test, Compare or Copy+Compare, and do it again without the source disc. Or you can set No to keep buffer not be used.



The source will be only temporary saved in buffer, there will be nothing left when you exit the task (Copy, Test, Compare and Copy+Compare or reboot the system).

- Boot Password: This setting allows you to enable or disable the user administrative password. Users have to login when the system is booted on.
- Setup Password: You can set up password by pressing ▲ / ▼ to select the number you like and press OK to set next number.

8-10. Count Password

to set up the counter password.

8-11. Eject tray if no disc

8-12. Fast Key

only available for uSATA.

9. HDD Manager (For HDD-installed duplicator)

9-1. Select Image

You can select image file from HDD as your source for copy. When this function is selected, the system will set the HDD to be the source reader automatically.

- 1 Pressing ▲ / ▼ to select 9.HDD Manager and sub menu 1.Select Image.

```
[HDD Manager]
1.Select Image
```

- 2 Pressing ▲ / ▼ to select the image you need and press ◻ to confirm.

```
001[A001]
Audio CD      702M — Data size
```

9-2. Disc to Image

This function will load your source disc to the built-in HDD and save the source as an image file.

- 1 Placing the source disc to any one of the drives
- 2 Pressing ▲ / ▼ to select 9.HDD Manager and sub menu 2.Disc to Image.

```
[HDD Manager]
1.CD => Image
```

- 3 Pressing ◻ to start loading.

```
DVD==>[A001]
50%      465MB
```

Chapter 4. Function Operation

4 When loading has finished, the disc will be ejected automatically.

```
DVD===>[A001]
Finished !
```



The source disc can be placed in any drive, it will not affect the loading process.

9-3. Set Reader Speed

You can adjust the reading speed of the drive which you put the source disc.

This function is ONLY available when you loading the source disc to HDD.

The default setting of both CD and DVD speed are MAX.

9-4. Show Image Info.

You can check the disc format and data size of image file in this function.

1 Pressing ▲ / ▼ to select 9.HDD Manager and sub menu 4.Show Image Info.

```
[HDD Manager]
4.ShowImageInfo.
```

2 Press ◂ to check the disc format and data size of the image file. And you can press ▲ / ▼ to check other image file's information.

```
001[A001]
Audio CD      702M
```

9-5. Rename Image

This function allows you to change the name of image file. You can set maximum up to 8 characters for a new name, and NO blank is allowed between the characters.

1 Pressing ▲ / ▼ to select 9.HDD Manager and sub menu 5.Rename Image.

```
[HDD Manager]
5.Rename Image
```

Chapter 4. Function Operation

- 2 Pressing **OK** and select which image file you would like to rename by pressing **▲** / **▼**, and then press **OK** to start edit a new name for the selected file. You can select characters or number by pressing **▲** / **▼**, and press **OK** to the next space to edit. The maximum is 8 characters without blank space. When it has done, press **OK** to confirm the new name.



```
Edit Image Name
[A002]
```

9-6. Delete Image

You can delete image file from the built-in HDD, but the source image file is unable to delete if the file is selected as source. Therefore, before you delete an image file, please check if it is selected as a source and change a new one source by [9.1 Select Image](#), page 27.



If there is an image file is deleted, the file name will be held for next new image file, the existing file will not to fill the vacancy. For example, there are 5 image files (A001~A005) in the HDD, when you delete A003, A004 will not change to be A003, once a new file has loaded, its default name will be A003.

9-7. Show HDD Info.

You can check the information of the built-in HDD includes how many discs are stored and the free space is available in the HDD.



```
Used: 1CD 3DVD
Free: 146CD 29DVD
```

9-8. Format HDD

This function allows you to format the built-in HDD while the HDD is NOT selected as reading source. You can change the source from HDD to other drive in [6. Select Source](#), page 17.

Due to the capacity for discs loading is hard to predict precisely and more and more different discs coming out. The traditional method of format is not ideal for using on this duplicator. This duplicator is able to detect disc capacity and assign a proper partition for the disc's data automatically. You do not have to predict and select CD or DVD partition in the beginning and you can check how many discs you can upload from [9-7. Show HDD Info.](#), page 30 This intelligent HDD management technology is much easier for HDD management than the old way.

Chapter 4. Function Operation

9-9. Load & Copy

This function is for the system to load the source to HDD and make copy synchronously. The system will load the source to HDD during the first round of duplication, and the HDD will replace the reader drive to be the source in second round of duplication. This special function is very convenient for a big copy task. You also can set:

- Synchronous: The system will load the source to HDD and make copy at the same time.
- Load First: The system will load source to HDD first and take HDD as source to copy.
- OFF: To disable Load & Copy function.



- ① 1 The image file will only be saved temporary if it is loaded to HDD by Load & Copy function.
- ② 2 If you would like to save the file permanently please load the file to HDD by manual (refer to 9-2.Disc to image, page 21)

Specification

Model	BD 1802	BD 1805	BD 1809	BD 1813
Target	1:1	1:4	1:8	1:12
Operation	Standalone			
Buffer (DDR2)	64MB	128MB		
CD Speed	52 ×			
DVD Speed	24 ×			
Blu-ray Speed	12 ×		8 ×	
Disc Format Support	BD-ROM, BD-R, BD-RE DVD-ROM, DVD-Video, DVD-Audio, DVD+R, DVD+RW, DVD-R, DVD-RW, Dual Layer DVD±R, CD-ROM, CD-RW, CD-I, Audio CD, Video CD, CD+G, CDTEXT, Bootable CD, Mixed-mode CD, Multi-session CD, CD-Extra, Business Card CD, 3" Mini CD-R			
Display	2X16 Backlight Monochrome LCD			
Control Button	4 buttons (Forward, Backward, OK, Esc)			
Temperature	Working	5°C ~ 45°C		
	Storage	-20°C ~ 85°C		
Humidity	Working	20% ~ 80%		
	Storage	5% ~ 95%		
Controller Power Consumption	Voltage	Max 5V		
	Current	Max 1A		
Safety	FCC, CE, RoHS			

* The above information is for marketing reference only. The actual specification may subject to change without notice.

Appendix

1. Lightscribe Operation

Step 1

Install Lightscribe template software to PC

Download LightScribe software from www.lightscribe.com and install below software.

A. LIGHTSCRIBE SYSTEM SOFTWARE (LSS)

B. LIGHTSCRIBE TEMPLATE LABELER.



Step 2**Execute "LightScribe Drive select.exe".exe file to select LightScribe Drives**

- 1 Receive a .exe file from your supplier.
- 2 Execute the .exe file on your PC.
- 3 And select the LightScribe Duplicator drive on the list.



When everytime the Duplicator change LightScribe drive, must reselect drive before create LightScribe image for that Duplicator.

- 4 If the duplicator's Lightscribe drive is not on the list, please follow below steps to add new lightscribe drive to the support list.
 - ① Plug the new lightscribe drive you will use for Duplicator to the PC.
 - ② Click "Detect Lightscribe Drive And Disc " to search new available lightscribe drive.




Appendix

- ③ Select the new drive and press , the drive will be added to the list.



Step 3

Design Lightscribe Template and Lightscribe printing on PC.

- 1 Click to launch the LightScribe Template  on our PC.
- 2 Follow procedure to create your label image.
- 3 Make sure the lightscribe drive is selected.



If Lightscribe template can not be executed normally under Window7, please try to click right button on the mouse on the Lightscribe icon and select " Run as administrator" to execute the function.

- 4 Click the Print to save the lightscribe image .LSI file to a USB stick or a Disc.



- 5 Plug the USB drive or Disc into Duplicator.

- 6 Select the utility function 7-8.PRINT LS Label. The system will read the image into the duplicator and start printing the lightscribe label.



When doing the lightscribe printing, please turn over the disc. The print side is face down and data side is face up.

