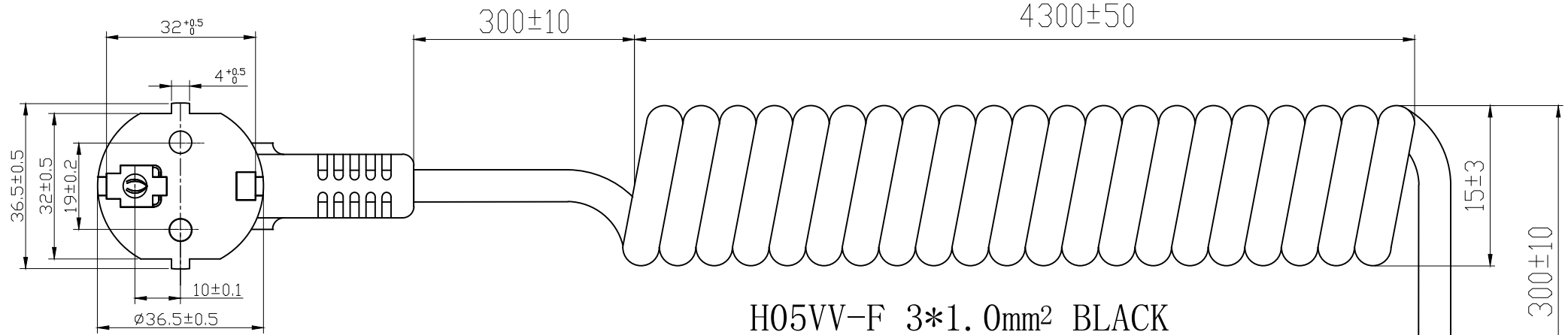
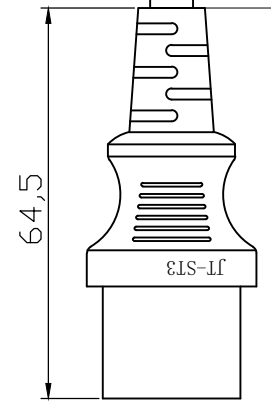
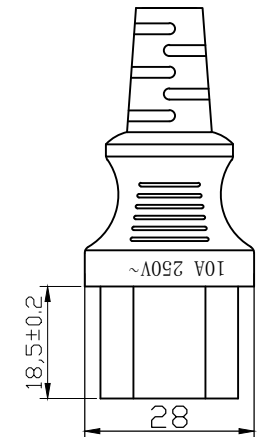
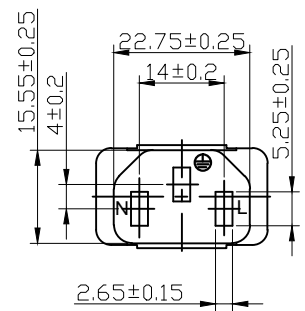
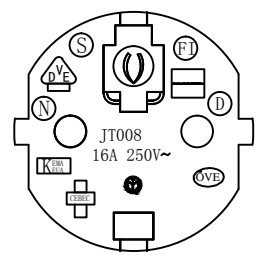


NO.



H05VV-F 3*1.0mm² BLACK

LOGO



TOLERANCE ACCORDING TO THIS FORM UNLESS OTHERWISE INDICATED			THE THIRD ANGLE PROJECTION			1	1		
DIMENSION	TOLERANCE		VERSION	A	PROPORTION	UNIT	mm	INPS	A4
	LENGTH	ANGLE	FILE LOCATION		DIE MATERIALS		DIE NO.		
<200	±0.1	±0.5°							
200~500	±0.3		FIGURE NO		DIE MATERIALS				
500~800	±0.5		DIE NO.		DIE MATERIALS				
<800	±1.0				DIE MATERIALS				
DESIGN			PRODUCTOR NAME		JT008/JT-ST3				
AUST									
APPROVAL									

