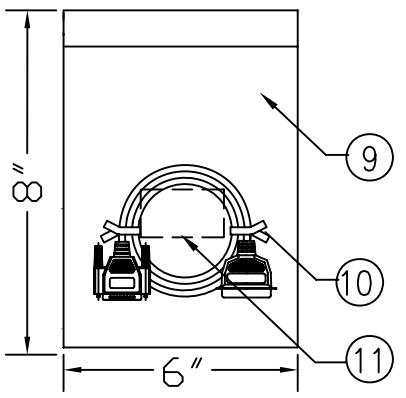


WEIGHT	CUSTOMER NO:	REMARK
232g-K1	CP05	CABLEMATIC

PINOUT:

P1		P2
1	BLACK	1
2	BROWN	2
3	RED	3
4	ORANGE	4
5	YELLOW	5
6	GREEN	6
7	BLUE	7
8	PURPLE	8
9	GRAY	9
10	WHITE	10
11	PINK	11
12	LIGHT GREEN	12
13	BLACK/WHITE	13
15	BROWN/WHITE	32
16	RED/WHITE	31
17	ORANGE/WHITE	36
18	GREEN/WHITE	19,20
19		21,22
20		23,24
21		25,26
22	BLUE/WHITE	27
23		28
24		29
25		30
SHELL	PURPLE/WHITE	SHELL



- NOTES:
- 1) P1 DIE NO:OD25I11(1 OUT OF 2, 1 SET)
 - 2) P2 DIE NO:OC36I03(1 OUT OF 2, 1 SET)
 - 3) 1PC/PE BAG+LABEL
 - 4) CORE WIRE COLOR:STANDARD COLOR.
 - 5) PRIMARY DIM:A,B

4	SCREW:#4-40UNC E:30.5MM BEIGE(2209) IBM DIE(ROHS)
3	CN36M BLUE SOLDER TYPE TERMINAL BRASS GOLD FLASH (ROHS)
2	DB25M BLUE SOLDER TYPE TERMINAL GOLD FLASH (ROHS)
1	NON UL 30#19C+F OD:5.2 BEIGE(2209) 1800MM(ROHS)

A	FIRST EDITION	Q.ZhenX	2011/06/07
REV.	ECR	DESCRIPTION	C.N. DATE
THESE DRAWINGS AND SPECIFICATIONS ARE THE PROPERTY OF WIRETEK COMPUTER LIMITED AND SHALL NOT BE REPRODUCED COPIED OR USED IN ANY MANNER WITHOUT THE PRIOR WRITTEN CONSENT OF WIRETEK COMPUTER LIMITED.			
UNLESS OTHERWISE SPECIFIED: DIMENSIONS ARE IN MILLIMETERS ANGULAR TOLERANCE: ±1.0°		TITLE	
DIMENSIONS		TOLERANCE	
0.00 TO 30.00mm		±0.10mm	
30.01 TO 80.00mm		±0.13mm	
80.01 TO 150.00mm		±0.15mm	
150.01mm		±0.20mm	
MATERIAL		MATERIAL	
FINISH		FINISH	
SCALE		SHEET	
/		1 / 1	
UNIT		MM	
SIZE		A4	
REV.		A	
PART NO.		2041-0827	