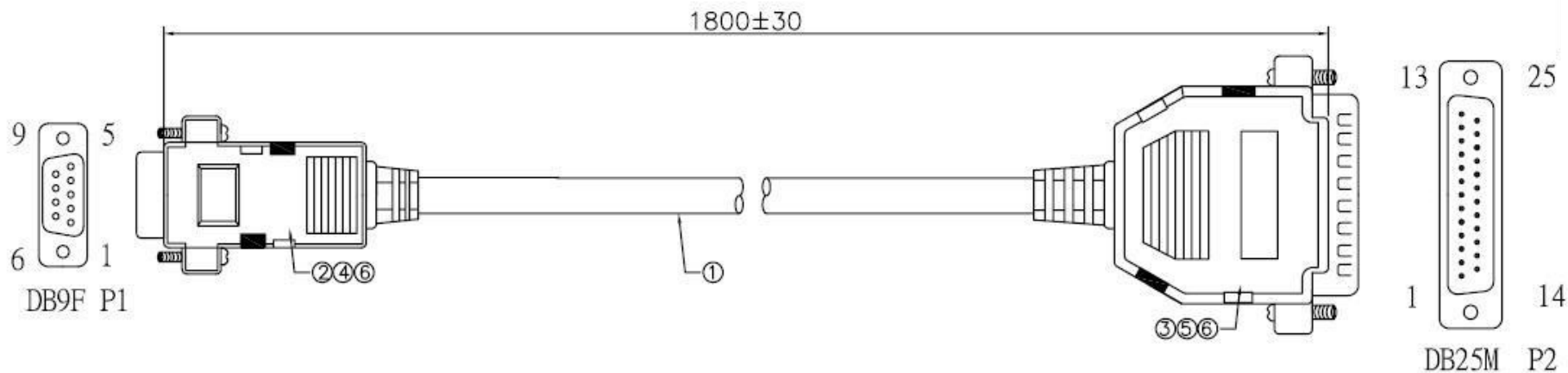
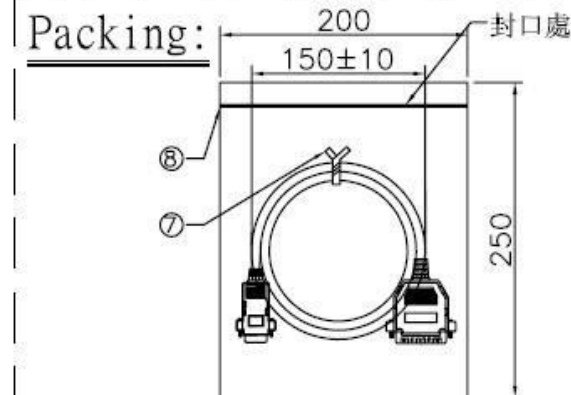


Rev	Modification Content	Date	Validate
A	the First Edition	2007-09-21	



側唛唛頭:

ITEM: ARA0922510010180  
QTY: 100 PCS  
NW: 8 KGS  
GW: 9 KGS  
SIZE: 46\*30\*23CM



Pin Assignment:

P1		P2
1	BROWN	8
2	RED	3
3	ORANGE	2
4	YELLOW	20
5	GREEN	7
6	BLUE	6
7	PURPLE	4
8	GRAY	5
9	BLACK	22
S		S

CS24

8	PE Bag	200*250*0.05	1 pcs
7	Tie	BEIGE TIE	1 pcs
6	Screw	4*14.5半牙螺絲	4 pcs
5	外殼	DB25P膠殼	1 set
4	外殼	DB9P 膠殼	1 set
3	Connector	DB25PM 藍膠芯, 鍍鎳	1 pcs
2	Connector	DB9PF 藍膠芯, 鍍鎳	1 pcs
1	Cable	NOUL 30AWG*9C+1過粉, OD:5.0 BEIGE	1 pcs
NO.	P/N	DESCRIPTION	QTY

P/N	DB9F/DB25M 1.8M		
Item			
Drawn By	Customer NO.	NO	N
Audited By	Unit : mm		
Date	2007-09-21	Rev. : 1.00	ME