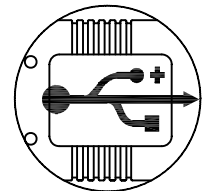
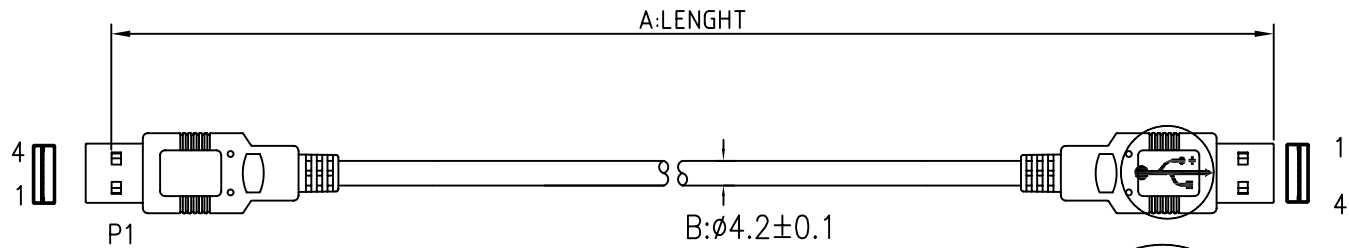
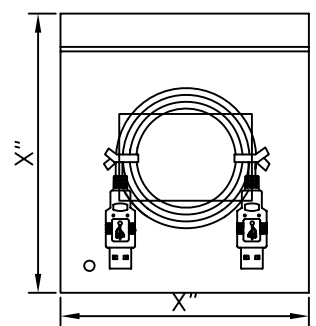
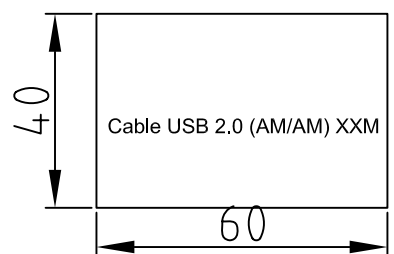
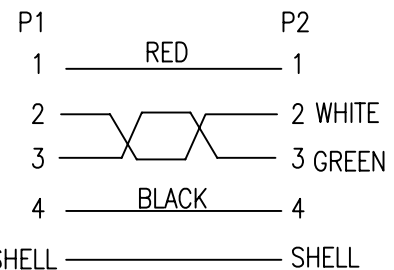


CUSTOMER NO:	REMARK
	Cablematic



CUSTOMER NO.:	PART NO.:	Lenght	PE BAG SIZE	LABEL SIZE	Q'TY
CU31	W47UBKAMAM0.2	200±20MM	6"*8"*0.06MM	40*60MM	250PCS
CU32	W47UBKAMAM01	1000±30MM	6"*8"*0.06MM	40*60MM	200PCS
CU33	W47UBKAMAM1.8	1800±30MM	6"*8"*0.06MM	40*60MM	120PCS
CU34	W47UBKAMAM03	3000±30MM	8"*10"*0.08MM	40*60MM	80PCS

PINOUT:



3	OUTER JACKET PVC 45Pa BLACK(1101) ROHS
2	USB A/M WHITE 4P SOLDER TYPE RoHS
1	USB2.0 28#1P+28#2C+A+B(32BAM)+D OD:4.2MM BLACK(1101)RoHS XXXXMM

A	FIRST EDITION	<i>J. Lan</i>	15/10/10
REV. ECR	DESCRIPTION	C.N.	DATE
<small>THESE DRAWINGS AND SPECIFICATIONS ARE THE PROPERTY OF WIRETEK COMPUTER LIMITED AND SHALL NOT BE REPRODUCED COPIED OR USED IN ANY MANNER WITHOUT THE PRIOR WRITTEN CONSENT OF WIRETEK COMPUTER LIMITED.</small>			
<small>UNLESS OTHERWISE SPECIFIED: DIMENSIONS ARE IN MILLIMETERS ANGULAR TOLERANCE: ±1.0°</small>		TITLE USB2.0 CABLE	
DIMENSIONS	TOLERANCE	CHKD.	CONF.
0.00 TO 30.00mm	±0.10mm		
30.01 TO 80.00mm	±0.13mm	DR.	APPD.
80.01 TO 150.00mm	±0.15mm		
150.01mm	±0.20mm	PART NO.	
MATERIAL	MATERIAL	W47UBKAMAMXX	
FINISH	FINISH	SCALE	SHEET 1/2 UNIT MM SIZE A4 REV. A