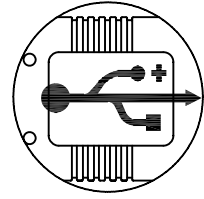
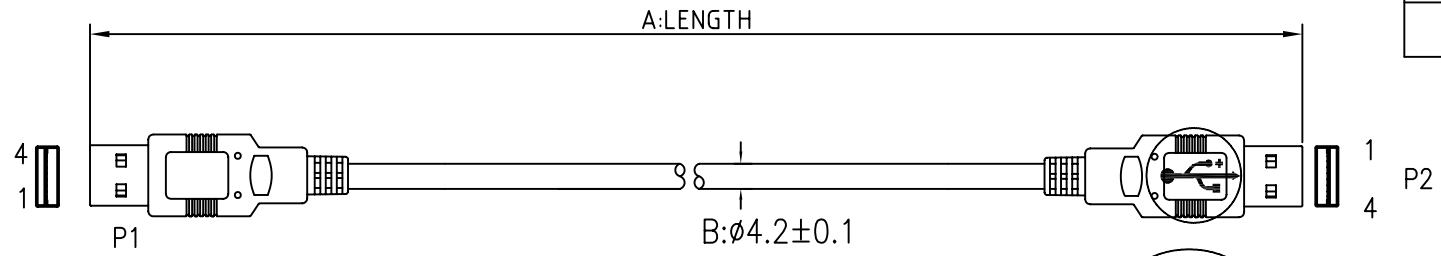


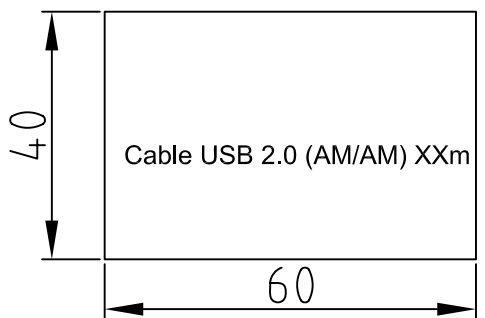
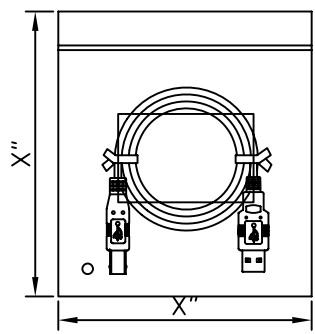
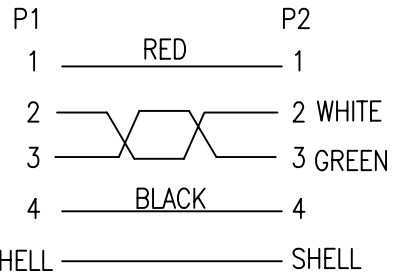
1 2 3 4 5 6 7

CUSTOMER NO:	REMARK
	Cablematic



CUSTOMER NO.:	PART NO.:	Lenght	PE BAG SIZE	LABEL SIZE	Q'TY
CU35	W47UBGAMAM05	5000±50MM	8"*10"*0.08MM	40*60MM	80PCS
CU36	W47UBGAMAM7.5	7500±80MM	8"*12"*0.08MM	40*60MM	60PCS
CU37	W47UBGAMAM10	10000±100MM	9"*14"*0.08MM	40*60MM	40PCS

PINOUT:



A	FIRST EDITION	<i>f.Lan</i>	16/10/10
REV. ECR	DESCRIPTION	C.N.	DATE
<small>THESE DRAWINGS AND SPECIFICATIONS ARE THE PROPERTY OF WIRETEK COMPUTER LIMITED AND SHALL NOT BE REPRODUCED COPIED OR USED IN ANY MANNER WITHOUT THE PRIOR WRITTEN CONSENT OF WIRETEK COMPUTER LIMITED.</small>			
<small>UNLESS OTHERWISE SPECIFIED: DIMENSIONS ARE IN MILLIMETERS ANGULAR TOLERANCE: ±1.0°</small>		TITLE <b>USB2.0 CABLE</b>	
DIMENSIONS	TOLERANCE	CHKD.	CONF.
0.00 TO 30.00mm	±0.10mm		
30.01 TO 80.00mm	±0.13mm	DR.	APPD.
80.01 TO 150.00mm	±0.15mm		
150.01mm	±0.20mm	PART NO.	<b>W47UBGAMAMXX</b>
MATERIAL	<b>MATERIAL</b>	SCALE	SHEET <b>1/2</b> UNIT <b>MM</b> SIZE <b>A4</b> REV. <b>A</b>
FINISH	<b>FINISH</b>		

3	OUTER JACKET PVC 45Pa BEIGE(2209) ROHS
2	USB A/M WHITE 4P SOLDER TYPE RoHS
1	USB2.0 28#1P+24#2C+A+B(32BAM)+D OD:4.2MM BEIGE(2209)RoHS XXXXMM

1 2 3 4 5 6 7