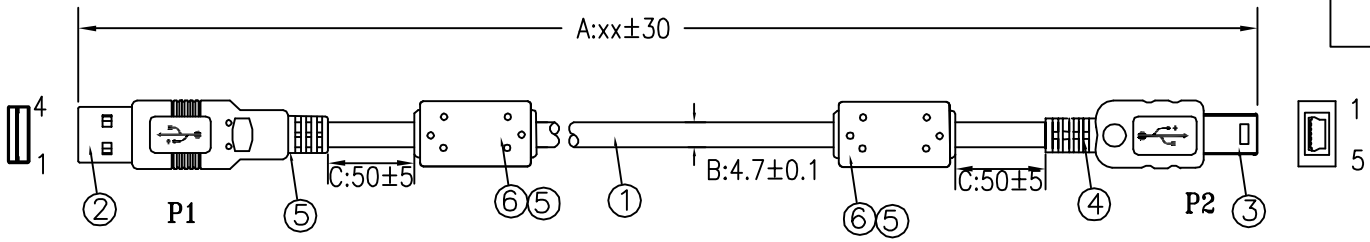
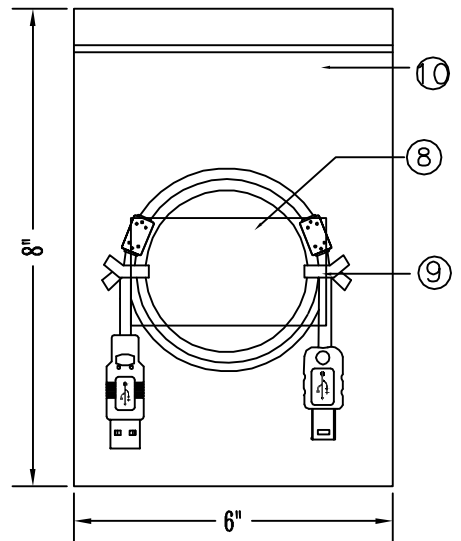
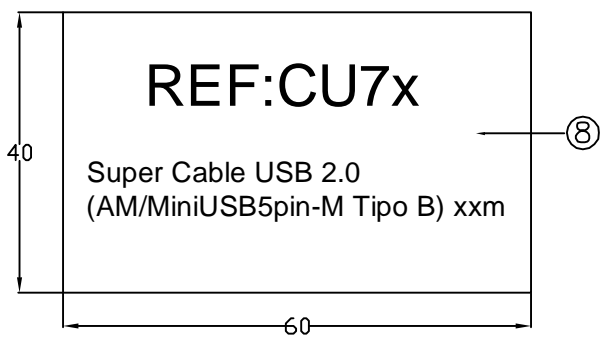


WEIGHT	CUSTOMER NO.:	REMARK
		CABLEMATIC

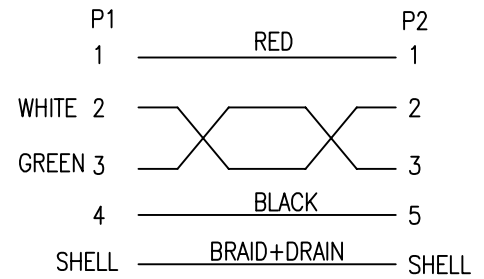


BUY ON  
[www.cablematic.com](http://www.cablematic.com)

Customer NO.	Length
CU72	1M
CU73	1.8M
CU74	3M
CU75	5M
CU77	10M



PINOUT:



NOTES:

- 1)P1 Die NO.: 0U04004,P2 Die NO.: 0U05002, CORE DIE NO.: OF00012
- 2)Core wire color: 28AWG 1P: Green.White 28AWG 2C: Red. Black
- 3)Primary Dimension: A,B,C
- 4)1PC/PE BAG+LABEL
- 5)RoHS COMPLIANT

5	OUTER JACKET PVC 45Pa BLACK(1101) (RoHS)
4	OUTER JACKET PVC 60Pa BLACK(1101) (RoHS)
3	USB MINI 5PIN BLACK SOLDER TYPE TERMINAL&SHELL PLATED GOLD W/O PLASTIC HOOD (RoHS)
2	USB A/M Black
1	USB2.0 28#1P+24#2C+A+B+D OD:4.7MM BLACK(1101) xxMM (RoHS)

A	FIRST EDITION	W.L	2011/11/26
REV. ECR	DESCRIPTION	C.N.	DATE
THESE DRAWINGS AND SPECIFICATIONS ARE THE PROPERTY OF WIRETEK COMPUTER LIMITED AND SHALL NOT BE REPRODUCED COPIED OR USED IN ANY MANNER WITHOUT THE PRIOR WRITTEN CONSENT OF WIRETEK COMPUTER LIMITED.			
UNLESS OTHERWISE SPECIFIED: DIMENSIONS ARE IN MILLIMETERS ANGULAR TOLERANCE: ±1.0°			
DIMENSIONS	TOLERANCE	CHKD.	CONF.
0.00 TO 30.00mm	±0.10mm		
30.01 TO 80.00mm	±0.13mm	DR.	APPD.
80.01 TO 150.00mm	±0.15mm		
150.01mm	±0.20mm	PART NO.	
MATERIAL		SCALE	SHEET 1/1
FINISH		UNIT MM	SIZE A4
		REV. A	