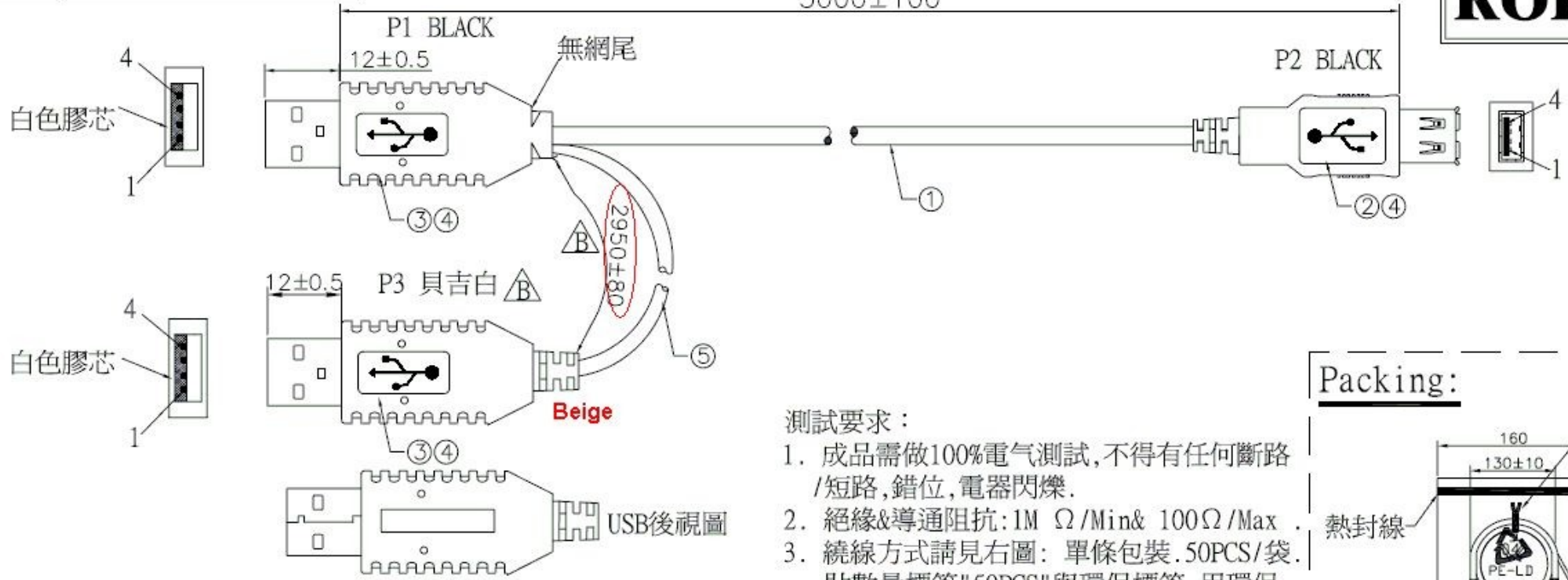


|              |                  |
|--------------|------------------|
| Molding NO.: |                  |
| Molding      | P2內:219-1外:215-1 |
| Molding      | P1,P3:152        |

|     |  |            |          |
|-----|--|------------|----------|
| Rev | Modification Content                             | Date       | Validate |
| △B  | the Second Edition:<br>Color, Length and Packing | 2007-08-14 | Cindy    |



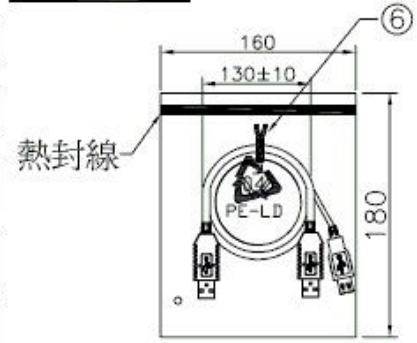
3000±100



測試要求:

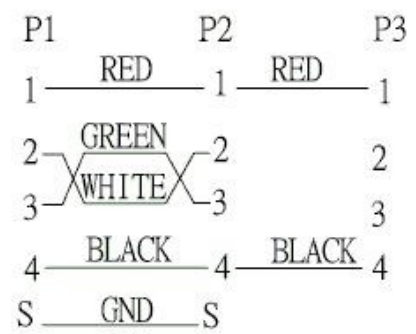
1. 成品需做100%電氣測試,不得有任何斷路/短路,錯位,電器閃爍.
2. 絕緣&導通阻抗:1M Ω /Min& 100Ω /Max
3. 繞線方式請見右圖:單條包裝.50PCS/袋.貼數量標籤"50PCS"與環保標籤,用環保膠袋,膠袋上印有"04-LD"外箱兩側麥貼環保標籤.

Packing:



|   |           |   |       |
|---|-----------|---|-------|
| 6 | Tie       | BLACK TIE   | 1 pcs |
| 5 | Cable     | NOUL 22AWG(17/0.16TA*2C 過粉)*1C<br>JACKET:PVC BLACK OD:3.5<br>INSULATION:RED/BLACK L:3000MM                                      | 1 pcs |
| 4 | Molding   | P1,P2:50P BLACK PVC<br>P3:50P PVC 貝吉白-61  | 16 g  |
| 3 | Connector | USB(A)公 (白膠芯) 鍍   | 2 pcs |
| 2 | Connector | USB(A)母 (白膠芯) 鍍   | 1 pcs |
| 1 | Cable     | UL2725 (REV:2.0) 28AWG*1P+24AWG<br>*2C+AL+D+B(48B)BLACK OD:4.5<br>1P INSULATION:WHITE/GREEN<br>2C INSULATION:RED/BLACK L:3000MM | 1 pcs |

Pin Assignment:



|            |                        |              |           |   |
|------------|------------------------|--------------|-----------|---|
| P/N        | USB(A)公*2-USB(A)F L:3M |              |           |   |
| Item       | HJ-141-CU85            |              |           |   |
| Drawn By   | Cindy                  | Customer NO. | NO        | N |
| Audited By |                        |              | Unit : mm |   |
| Date       | 2007-08-11             | Rev. : 1.00  | ME        |   |

| NO. | P/N | DESCRIPTION | QTY |
|-----|-----|-------------|-----|
|-----|-----|-------------|-----|