



Newbridge ND3204G/ND3208G distribution amplifier could split a single SDI source data to several video display and simultaneously amplify SDI signal. There is no video signal loss in the switching process. It supports almost all HD video formats which is SMPTE compliant. It can also achieve up to 1080p@60Hz for Full HD video performance perfectly.

In professional application systems, it is specially designed for several digital display terminals to show the same SDI video simultaneously. It is widely applied to surveillance, broadcast TV station, TV media, video conferences, electronic teaching, wired network areas, etc.

ND3204/ND3208

SD/HD/3G-SDI 2 to 4/8 Distribution Amplifier

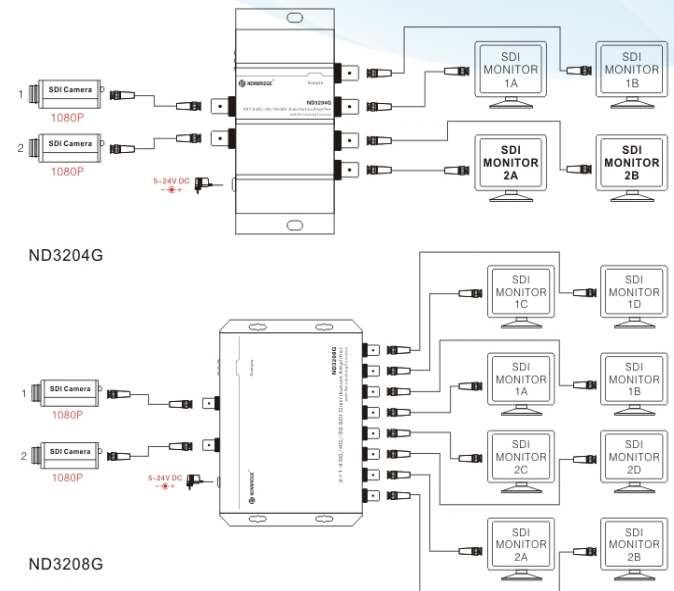
Features

- Support SD-SDI (270Mbps), HD-SDI (1.485Gbps) & 3G-SDI (2.97Gbps)
- Full HD video format
- Built-in Cable Equalizer, Re-clocker & Cable Driver
- Max. cable length (Belden 1694A): SD-SDI 400m/1300ft, HD-SDI 200m/600ft, 3G-SDI 140m/450ft
- Excellent SDI signal jitter suppression function
- Power supply and SDI signal format indicator
- Embedded ESD to protect the circuit
- 5V~24V DC

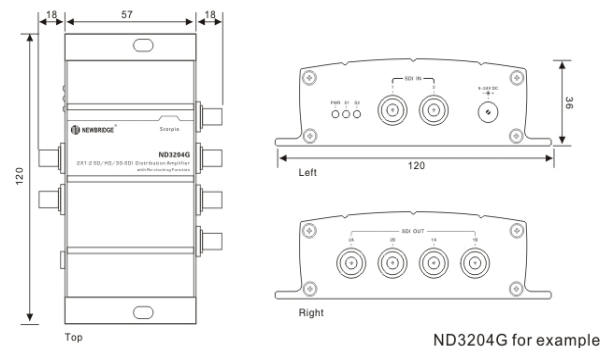
Specifications

Model	ND3204G	ND3208G
Input signal	2x BNC(SD-SDI, HD-SDI, 3G-SDI)	
Input Signal Type	SD-SDI (270Mbps), HD-SDI (1.485Gbps) 3G-SDI(2.97Gbps)	
Support Input Format	SD-SDI: 480i, 576i HD-SDI: 720p24/25/30/50/59.94/60 all frame rate; 1080i all frame rate 1080p all frame rate 3G-SDI: 1080p all frame rate	
Video Standard	SMPTE 424M, SMPTE 292M and SMPTE 259M ITU-R BT.601, ITU-R BT.1120	
SDI Signal Range	0.8V p-p	
SDI Impedance	75 ohms	
SDI Coupling Type	AC Coupling	
Max. Input Coax Length	Belden 1694A SD-SDI 400m / 1300ft ; HD-SDI 200m / 600ft ; 3G-SDI 120m / 400ft	
Output signal	4x BNC SD-SDI, HD-SDI	8x BNC SD-SDI, HD-SDI, 3G-SDI
Re-clocking	Auto Support 270Mbps/1.485Gbps/2.97Gbps	Auto Support 270Mbps/1.485Gbps/2.97Gbps
Power Consumption	5V~24V DC, 2A w/ Locking Power Connector 2~3Watts	
Operating Temperature	-10° C ~ 60° C / 14° F ~ 140° F	
Storage Temperature	-30° C ~ 70° C / -22° F ~ 158° F	
Relative Humidity	20~90% RH (Non-condensation)	
Dimension	93 x 119 x 36 mm 3.66 x 4.72 x 1.42 inches	176 x 155 x 30mm 6.97 x 6.10 x 1.18 inches
Weight	180g	500g

Application Diagram



Dimensions



ND3204G for example

Order Information

Part No	Description of product	Unit
ND3204G	2 x 1:2 SD/HD/3G-SDI Distribution Amplifier	pcs
ND3208G	2 x 1:4 SD/HD/3G-SDI Distribution Amplifier	pcs