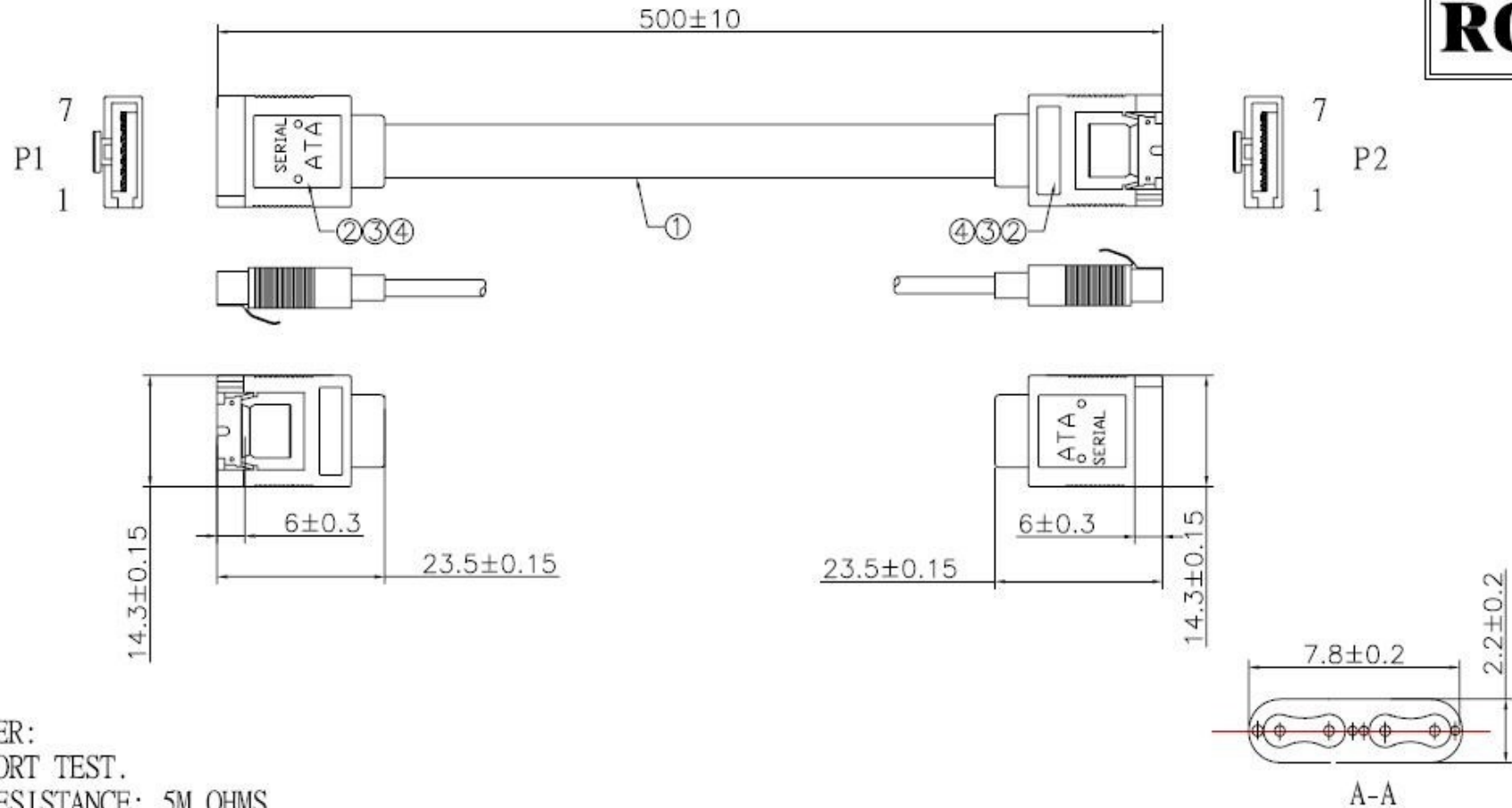


| Rev | Modification Content | Date       | Validate |
|-----|----------------------|------------|----------|
| A   | the First Edition    | 2008-04-25 | Cindy    |

**ROHS**



**ELECTRICAL CHARACTER:**

1. 100% OPEN/SHORT TEST.
2. INSULATION RESISTANCE: 5M OHMS.
3. CONTACT RESISTANCE: 2 OHMS.
4. HI-POT: DC 300V.

**Pin Assignment:**

| P1 | P2        |
|----|-----------|
| 1  | 1 GND(接地) |
| 2  | 2 A-      |
| 3  | 3 A+      |
| 4  | 4 GND(接地) |
| 4  | 4 GND(接地) |
| 5  | 5 B-      |
| 6  | 6 B+      |
| 7  | 7 GND(接地) |

|            |                                |              |           |   |
|------------|--------------------------------|--------------|-----------|---|
| P/N        | SATA7P/F180°-SATA7P/F180° 50CM |              |           |   |
| Item       | HJ-141-DM41 new                |              |           |   |
| Drawn By   | Cindy                          | Customer NO. | NO        | N |
| Audited By |                                |              | Unit : mm |   |
| Date       | 2008-04-25                     | Rev. : 1.00  | ME        |   |

| NO. | P/N       | DESCRIPTION  | QTY   |
|-----|-----------|--|-------|
| 4   | Molding   | 低密度PE  | g     |
| 3   | Molding   | 45P PVC BLACK  | g     |
| 2   | Connector | Serial ATA 7PIN(PBT+磷銅) G/F 帶彈片                                      | 2 pcs |
| 1   | Cable     | Serial ATA Cable E189529 2725 8芯 26AWG 淺紅色外被 OD:(2.2*7.8)±0.2mm 白色印字 | 1 pcs |