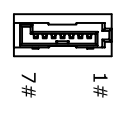
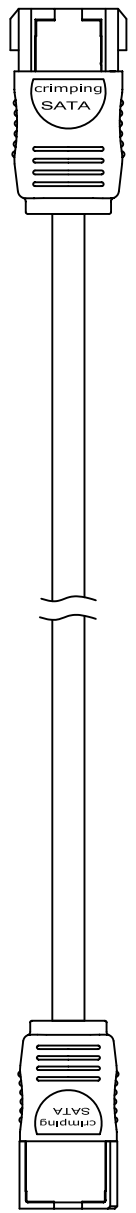


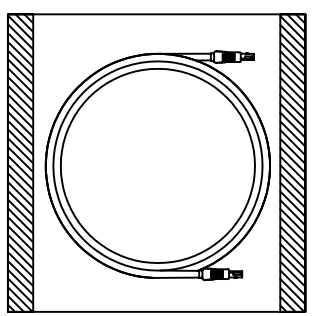
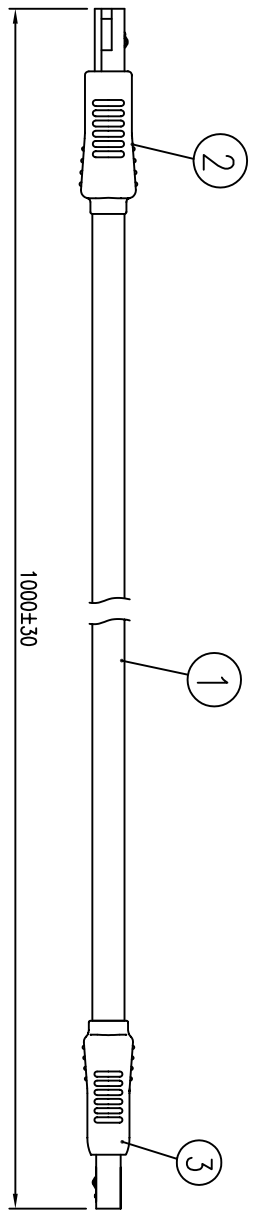
A B C D E



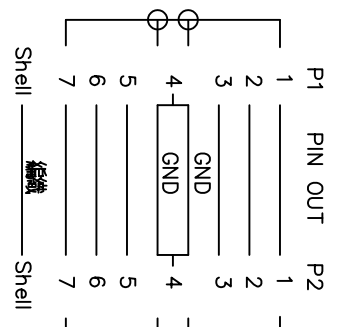
P1



P2



FE PAC



3		SERIAL ATA-1 7POS PLUG CONNECTOR METAL SHIELD	1
2		SERIAL ATA-1 7POS PLUG CONNECTOR METAL SHIELD	1
1	T60-IQ-A172-2	ROUND UL2725 [(1/26AWG*2C+AL/MLYLR)*2+3E+AB] ,PVC ,BLACK	A/R
ITEM	PART NUMBER	DESCRIPTION	Q'TY

1 2 3 4 5