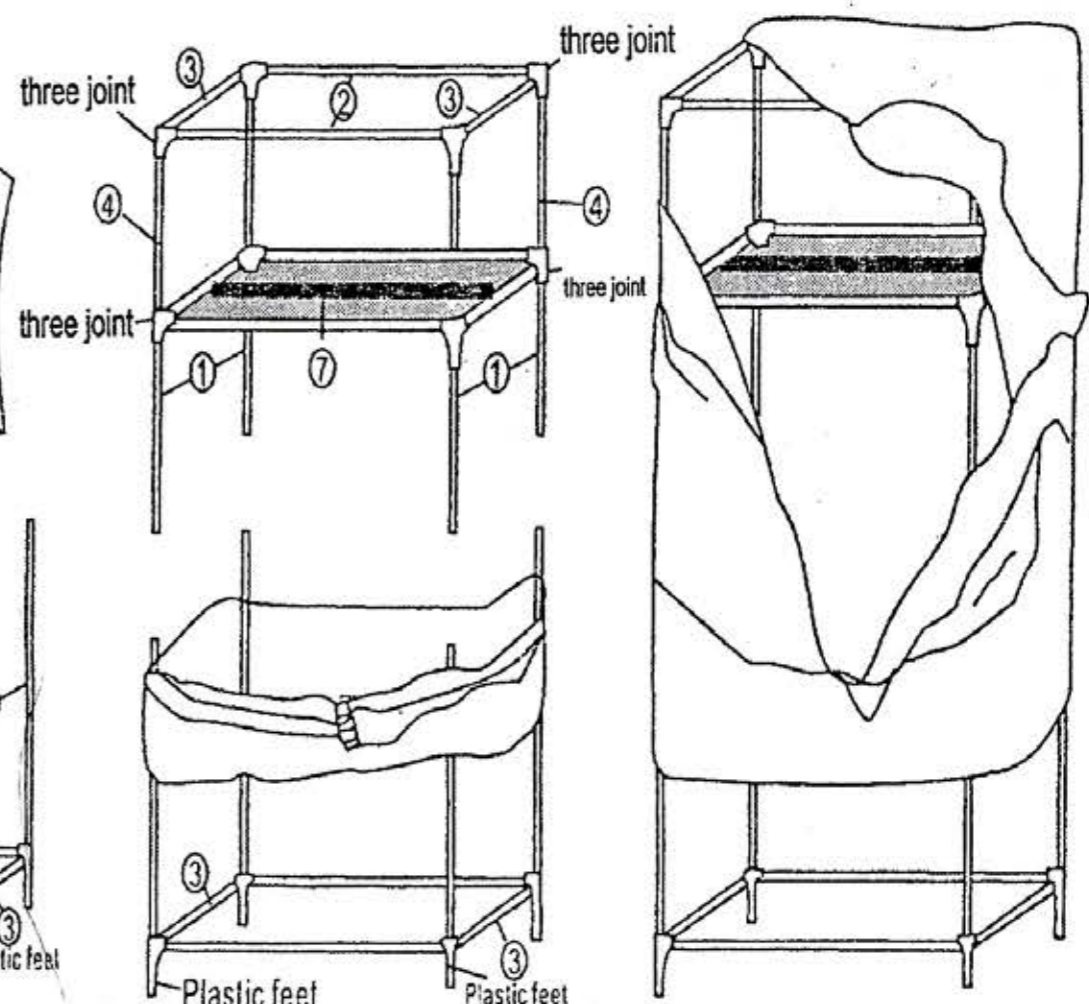
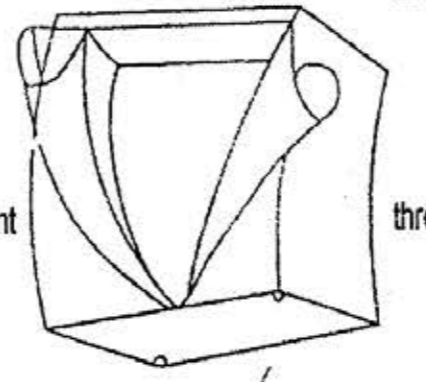
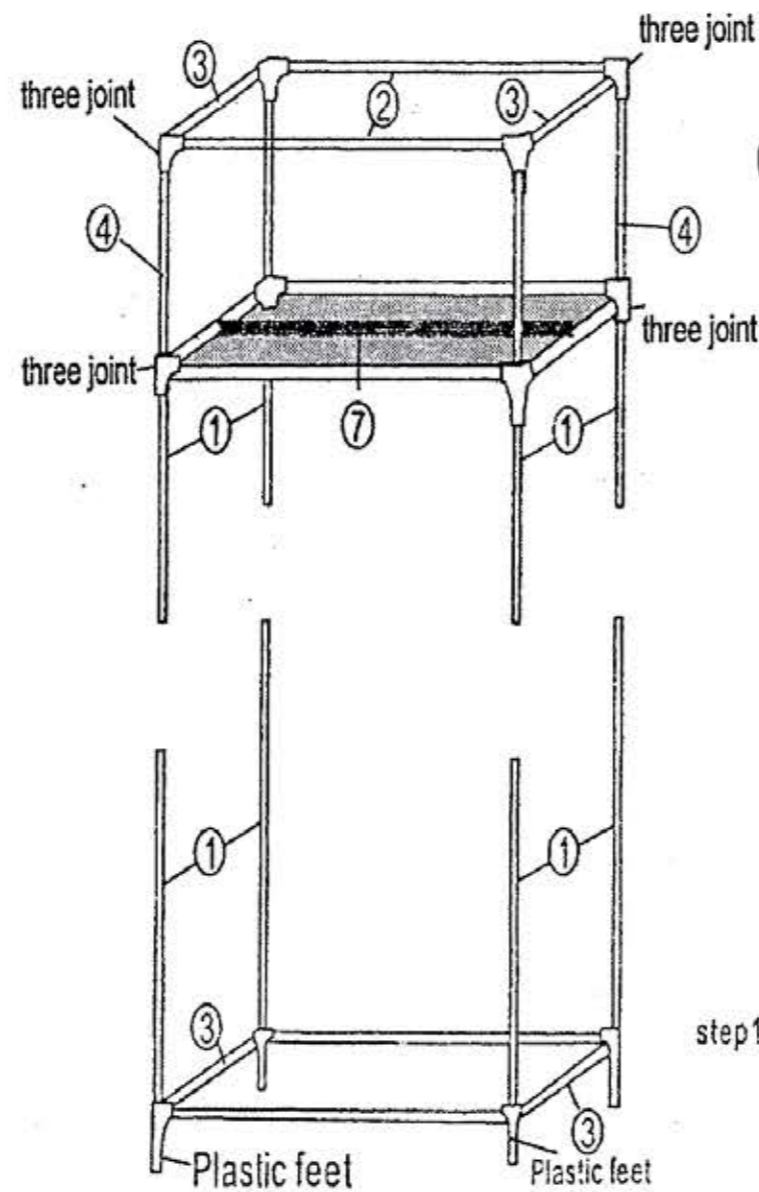


**Assembly & Disassembly Instructions
For Wardrobe with circle pipe
(Mode:T)**

PARTS	PCS	LEDGEND	PARTS	PCS	LEDGEND
①	8		T-Union	12	
②	7		retainer cloth	1	
③	6		Hook	2	
④	4				
Through	4				



step1: Take out 4pcs plastic feet, No. 1 pipe 4pcs, No. 3 pipe 2pcs, No. 2 pipe 2pcs, then install it according to the picture. Open the zipper of the Cover, and insert the pipes about 1 inch into six holes in the corner of the cover.

step2: Take No. 3 pipe 4pcs, No. 5 pipe 4pcs, No. 2 pipe 4pcs, NO 7 pipe 1pc, NO. 4 pipe 4pcs, 8pcs plastic joint, take out 1pc retainer cloth, then install 2pcs NO2 pipes in it, then according to the picture in stall it.

Step3: Draw the outer cover of wardrobe upward from the behind so as to cover the frame, then draw it to the bottom equably.



CABLEMATIC