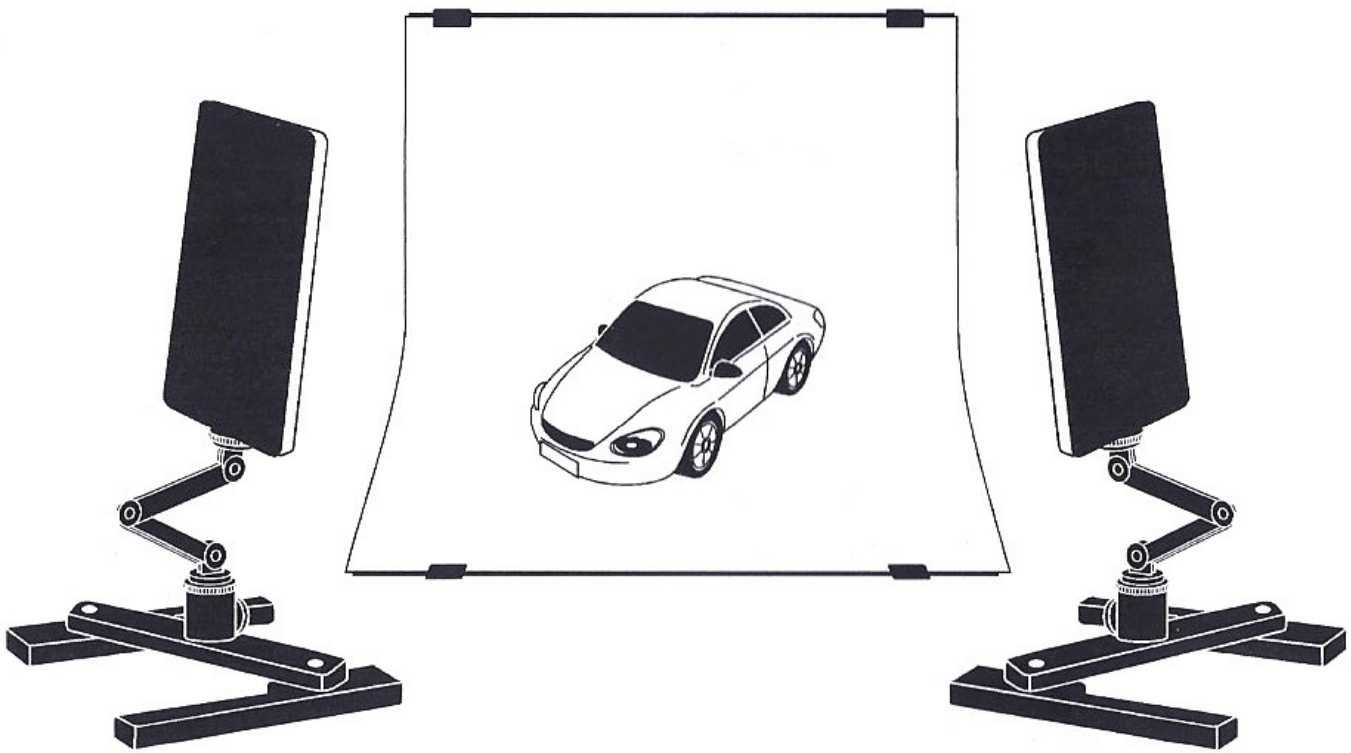


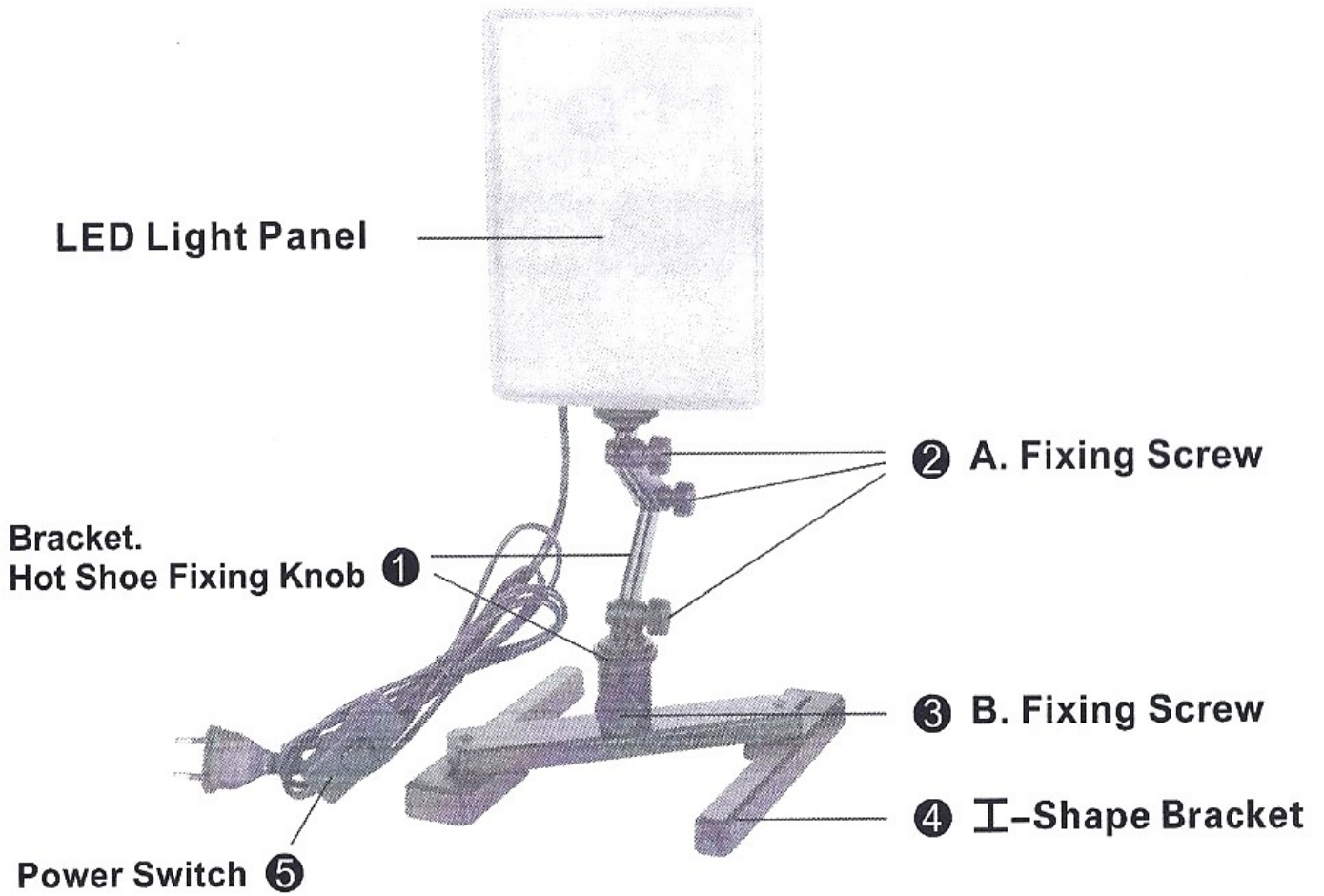
Instruction Sheet



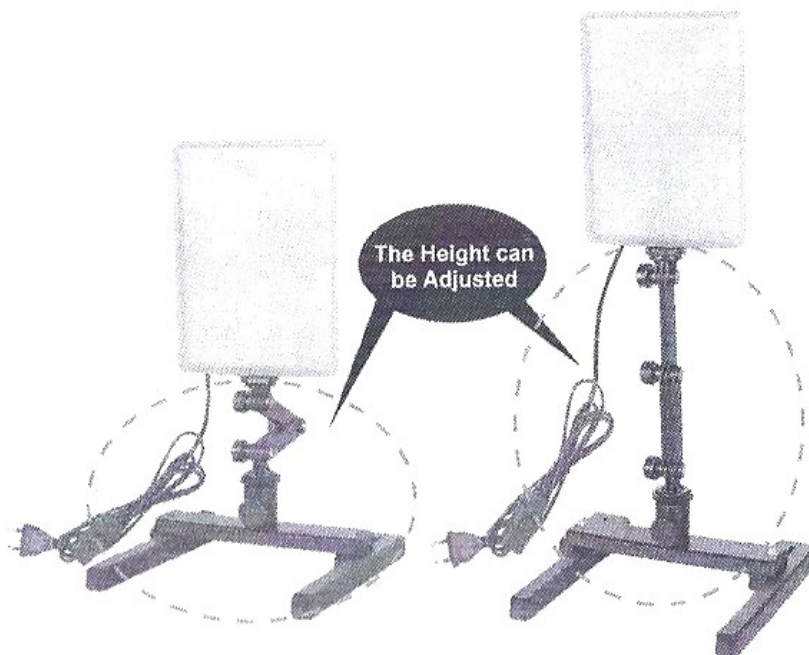
Extra Parameters:

AC Power: 110V-240V
Total Power: 18W x 2

Color Temperature: 5600K
Ra:95



- ① .Bracket. Hot Shoe Fixing Knob: For mounting the LED Photo Light on stand.
- ② .A. Fixing Screw: For adjusting the angle and height of LED Photo Light (Picture A).



(Picture A.)

③ .B. Fixing Screw: For fixing the LED Photo Light on stand(Picture B).



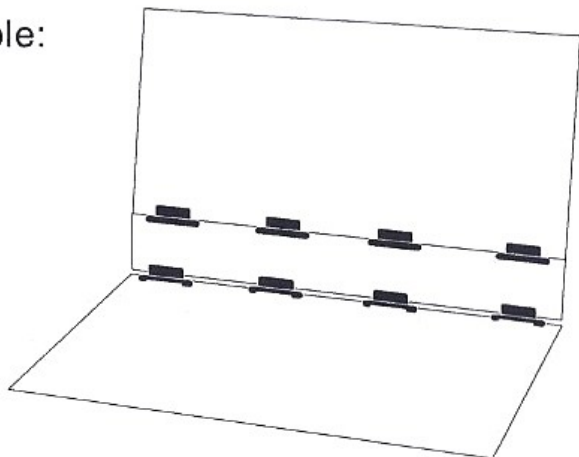
BUY ON
www.cablematic.com

(Picture B.)

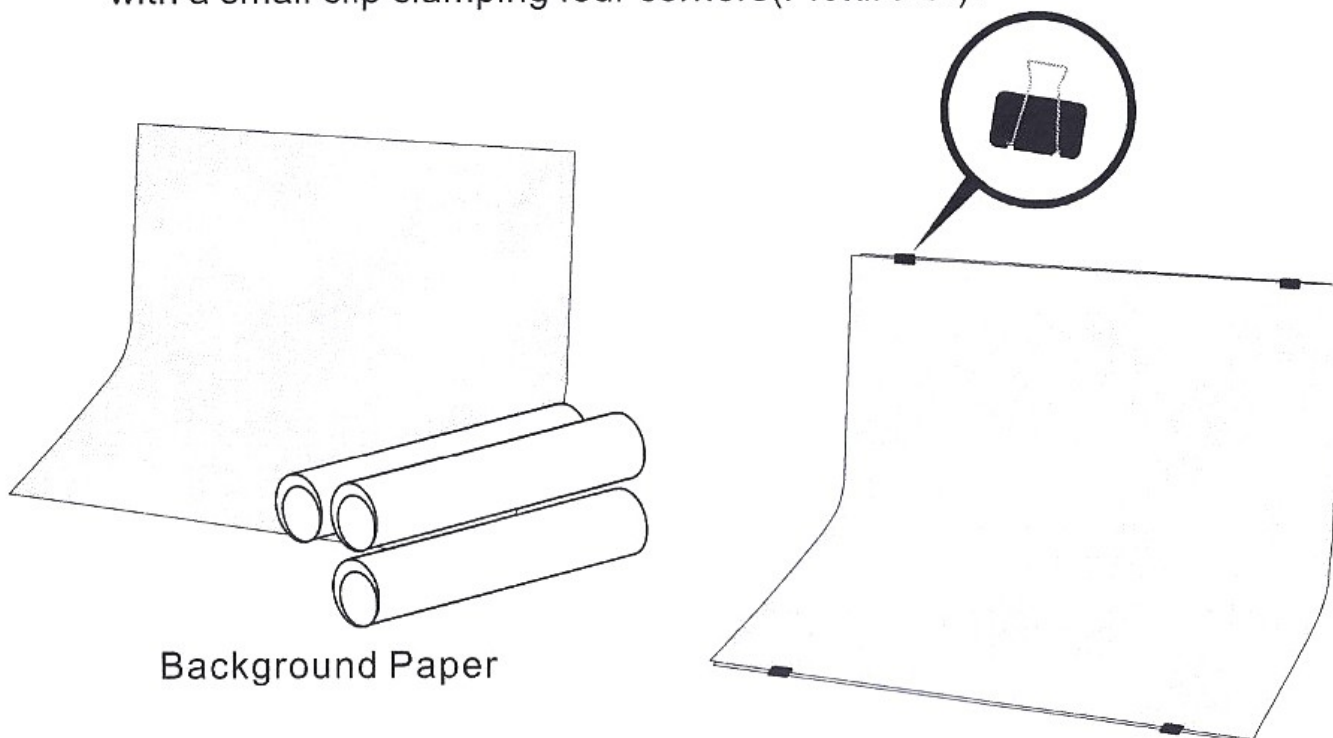
④ .I-Shaped Bracket: For standing LED Photo Light at lower position, adjusting the balance according to the core of the lighting while mount it on.

⑤ .Power Switch: For on and off the LED Photo Light.

⑥ .Phototable:



⑦ .Background paper: while using, put the background paper on the phototable, with a small clip clamping four corners(Picture C.).



Background Paper

(Picture C.)



Instructions:

- . Mount the LED Photo Light on stand with a suitable direction
- . Fixed the background paper on the photo table.
- . Make sure that the power switch is off, connect the LED Photo Light to the power, turn it on.
- . Suitable for the photography and still live shooting.



Precautions:

1. Please check after receiving the light, if any damage on LED Photo Light caused by transportation. If there is damage, please do not use the light and contact with distributor or the manufacturer ASAP.
2. Please do not mount the light directly on the surface of the common combustible material .Keep the light dry and keep it away from wet, hot or dusty condition, prevent the light from water or other liquids.
3. Before installation, please make sure the power voltage you use should be according to the voltage indicated on the lamp, please do not open and repair the lamp yourself when the power is connected .
4. Please do not use the power cord which is with broken insulating layer, and do not pull the plug or drag the power cord directly.

BUY ON

www.cablematic.com