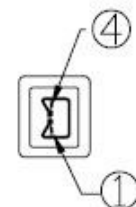
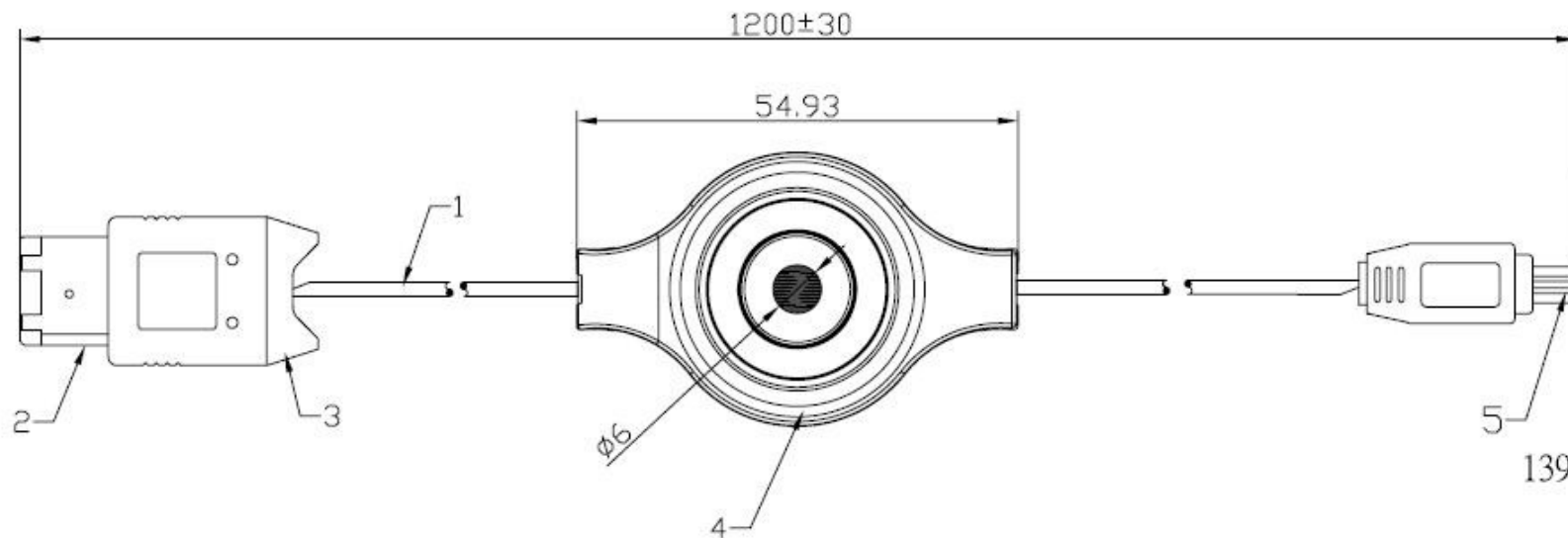
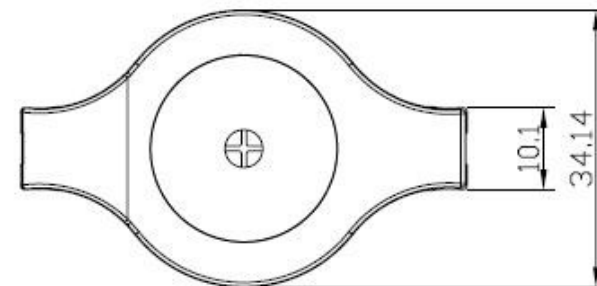


1394 6P MALE



1394 4P MALE



BACK

PIN ASSIGNMENT

4M		6M
1	_____	5
2	_____	6
3	_____	3
4	_____	4
SHELL	_____	SHELL

NO.	DESCRIPTION	Q'TY
1	8/0.08*6□D:0.9*2.9mm BLACK PVC L:1200MM	1
2	IEEE1394 6PIN MALE SHELL PLATED:NICKEL COLOR BLACK CONTACT:G/F	1
3	55P PVC BLACK IN COLOR	1
4	RETRACTABLE MADE OF ABS BLACK COLOUR	1
5	IEEE1394 4PIN MALE SHELL PLATED:NICKEL COLOR BLACK CONTACT:G/F	1

UNLESS OTHERWISE SPECIFIED TOLERANCE			
ANG.	±5°		
0.	±0.5		
.0	±0.3		
.00	±0.2		
SCALE:	NONE	UNIT:	mm
DRAWN	eric xu	09/03/12	DRAWN NAME: 競捷-EX42
CHECKED	/ /		
APPROVED	/ /	PRODUCT NO.	
DATE	09/03/12	SIZE	A4
		REV.	A
		FILE NAME:	

REV.	DESCRIPTION	DATE
A		09/03/12