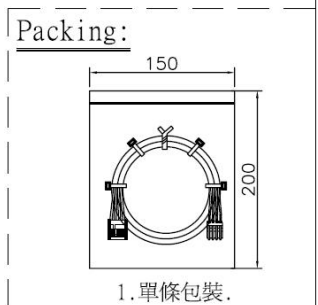
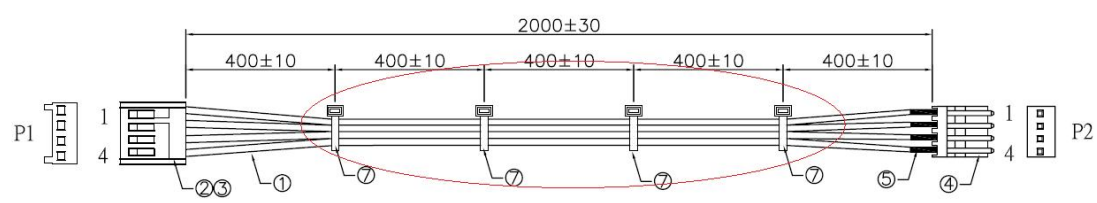


Rev	Modification Content	Date	Validate
A	the First Edition	2009-08-18	Cindy
△	the Second Edition	2012-03-01	Aileen

ROHS



ELECTRICAL TEST:
 1)100% OPEN SHORT&MISS WIRE TEST
 2)INSULATION RESISTANCE:DC300V 5M OHM
 3)CONDUCTOR RESISTANCE:5 OHM

Pin Assignment:

7	束帶	白色束帶	4 pcs
6	PE Bag	150*200*0.06MM	1 pcs
5	H.S.T	1.0*10mm BLACK	4 pcs
4	Wafer	PH2.54mm 4P WAFER TINNED TERMINAL	1 pcs
3	Terminal	PH2.54mm 小4P TINNED TERMINAL	4 pcs
2	Housing	PH2.54mm 小4P WHITE HOUSING	1 pcs
1	Cable	UL 1007 20AWG △	1 pcs
NO.	P/N	DESCRIPTION	QTY

P1	P2
1 RED	1
2 BLACK	2
3 BLACK	3
4 YELLOW	4

P/N	小四P M/ F 2M		
Item	AET03010505		
Drawn By	Kelly	Customer NO.	FE75 N
Audited By		Unit : mm	⊕ ⊖
Date	2009-08-18	Rev. : 1.00	ME