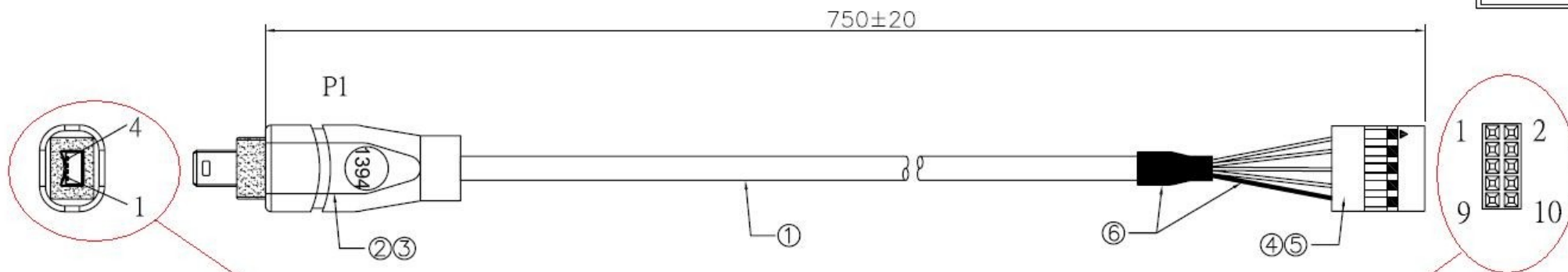


Rev	Modification Content	Date	Validate
A	the First Edition	2009-07-29	Cindy

ROHS

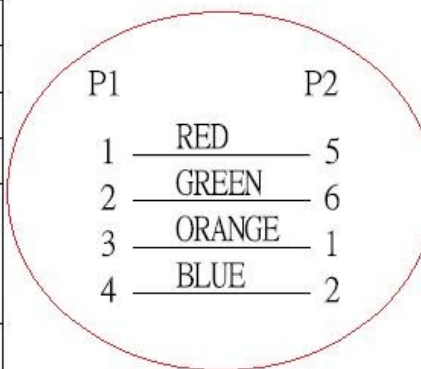


NOTE:

- 1). 100% TEST OPEN, SHORT & MISWIRE.
- 2). INSULATION RESISTANCE: 1Mohm (MIN).

7	Tie	BLACK TIE	1 pcs
6	H.S.T	BLACK H.S.T OD:6.0*15mm OD:1.5*35mm	各1pcs
5	Terminal	杜邦2.54 TERMINAL	7 pcs
4	Housing	杜邦2.54 2*5P BLACK HOUSING	1 pcs
3	Molding	P1:45P PVC BLACK	11 g
2	Connector	1394 4PM 黑膠殼,殼鍍鎳	1 pcs
1	Cable	UL20276 (28AWG/2C+32/0.10TCB)*2C +24AWG*2C+AL+80/0.10TCB OD:5.5 JACKET:BLACK	1 pcs
NO.	P/N	DESCRIPTION	QTY

Pin Assignment:



P/N	1394 4P/杜邦2.54 2*5PHSG 75CM			
Item	HJ-141-090729-01			
Drawn By	Cindy	Customer NO.	NO	N
Audited By			Unit : mm	
Date	2009-07-29	Rev. : 1.00	ME	