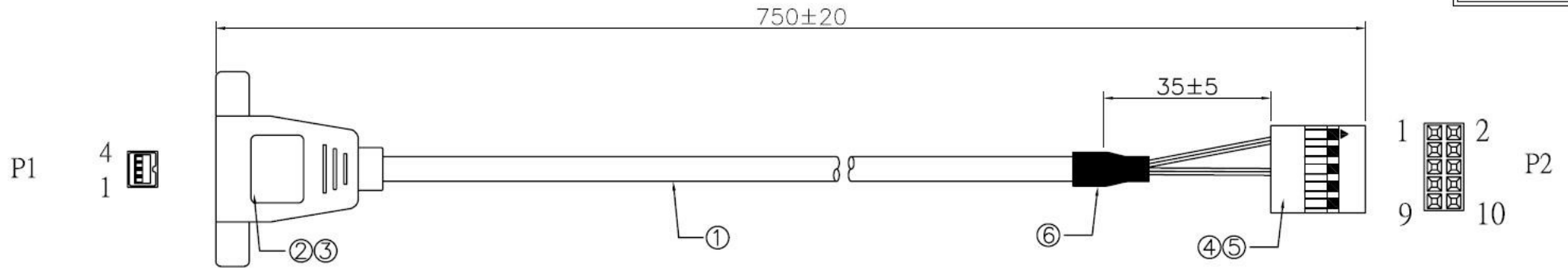


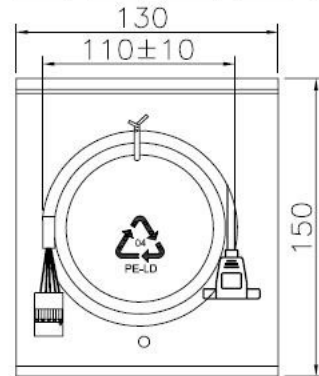
Rev	Modification Content	Date	Validate
A	the First Edition	2009-09-09	Cindy

**ROHS**



Packing:

1. 單條包裝.
2. 50條一袋, 貼數量標籤.
3. 外箱兩側貼環保標籤.



7	Tie	BLACK TIE	1 pcs
6	H.S.T	BLACK H.S.T OD:6.0*15mm	1 pcs
5	Terminal	杜邦2.54 TERMINAL	7 pcs
4	Housing	杜邦2.54 2*5P BLACK HOUSING	1 pcs
3	Molding	P1:45P PVC GRAY	11 g
2	Connector	1394 4PF 黑膠殼, 殼鍍鎳	1 pcs
1	Cable	UL20276 (28AWG/2C+32/0.10TCB)*2C +24AWG*2C+AL+80/0.10TCB OD:5.5 JACKET:GRAY	1 pcs
NO.	P/N	DESCRIPTION	QTY

Pin Assignment:



P/N	1394 4PF/杜邦2.54 2*5PHSG 75CM		
Item	HJ-141-FW48		
Drawn By	Cindy	Customer NO.	NO N
Audited By			Unit : mm
Date	2009-09-09	Rev. : 1.00	ME