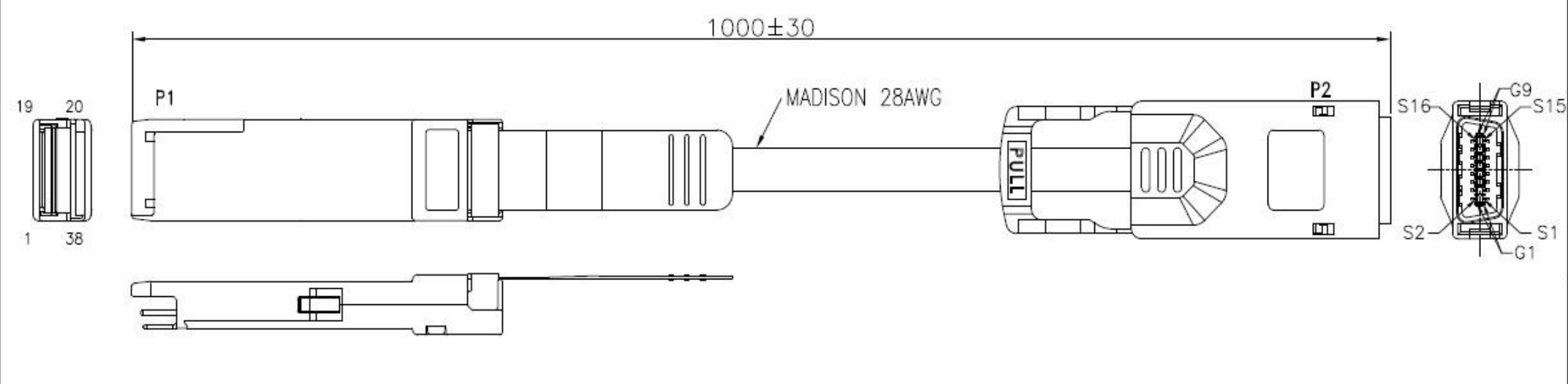


1	2	3	4	5	6	7	8	9
Rev.	Remark	Date	Sign.					

buy on www.cablematic.com



Material RoHS Compliant:

1.CABLE:
 CONDUCTOR: 28AWGSOLID SILVER PLATED COPPER.
 INSULATION: FOAM POLYOLEFIN.
 PAIR: 2 SINGLES LAID FLAT AND PARALLEL.
 CORE: 8 PAIRS
 PAIR DRAIN WIRE: 30AWG SOLID SILVER PLATED COPPER.
 PAIR SHIELD: ALUMINUM/POLYESTER TAPE. ALUMINUM SIDE FACING IN, 25% OVERLAP.
 INNER SHIELD: ALUMINUM/POLYESTER TAPE, ALUMINUM SIDE PACING OUT, 25% OVERLAP.
 OUTER SHIELD: 38AWG TIN PLATED COPPER BRAID, 85% COVERAGE.
 DIAMETER: 7.874mm
 PRINT LEGEND: "MADISON CABLE CORP.TYPE CL2 75°C 28AWG (UL) TurboTwin™ RoHS COMPLIANT"
 DIFFERENTIAL IMPEDANCE: 100±5 OHMS @TDR
 UL LISTING: TYPE CL2 AS SPECIFIED IN ARTICLE 725 OF THE NATIONAL ELECTRICAL CODE.

2.CONNECTOR:
 P1: 4x-Pluggable-QSFP(SFF-8436)
 (1) P.C.B.: 4 LAYERS, GOLD PLATING ON CONTACT PADS.(SPCB-040078A, AC Coupling)
 (2) Latch: Stainless Steel with Pull Tab.
 (3) Backshell: Zinc Die Casting Hood/ Nickel Plating.
 P2: SAS 4X EJECTOR TYPE (SFF-8470)
 (1) BACKSHELL: ZINC DIE CAST/ NICKEL PLATING
 (2) CONTACTS: 30u" INCHES GOLD PLATING

3.For CX4 3.125G USE.
 4.Two-Wire Serial Memory: Atmel AT24C02B EEPROM(256 Bytes), Digital monitoring & control function and memory page not supported.

Desc.	QSFP/4x Ejector Type Cable Assembly	Approved	Checked	Designed	Tolerance	Scale	*	Unit	mm	
P/N	UASS-RC005246	Customer P/N		Sino	*	Date	02/18/'12	DWG NO:	DWG\RC\5246	

1	2	3	4	5	6	7	8	9
---	---	---	---	---	---	---	---	---

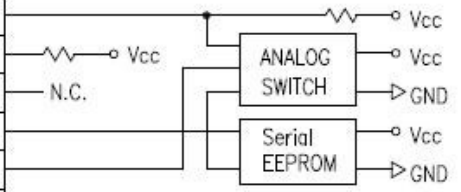
1	2	3	4	5	6	7	8	9
Rev.	Remark	Date	Sign.					

buy on www.cablematic.com

Wiring Diagram

High Speed Signal				
P1(4x-Pluggable-QSFP)			P2(4x)	
Pad	Signal		Pad	Signal
36	TX1p		S1	RX0+
37	TX1n		S2	RX0-
3	TX2p		S3	RX1+
2	TX2n		S4	RX1-
33	TX3p		S5	RX2+
34	TX3n		S6	RX2-
6	TX4p		S7	RX3+
5	TX4n		S8	RX3-
24	RX4n		S9	TX3-
25	RX4p		S10	TX3+
15	RX3n		S11	TX2-
14	RX3p		S12	TX2+
21	RX2n		S13	TX1-
22	RX2p		S14	TX1+
18	RX1n		S15	TX0-
17	RX1p		S16	TX0+
GND Group	GND		G1-G9	GND
GND Group 01,04,07,13,16,19 20,23,26,32,35,38				
Connector Shell			Connector Shell	

Low Speed Signal & Power	
P1(4x-Pluggable-QSFP)	
Pad	SIGNAL
08	ModSelL
09	ResetL
10	VccRx
11	SCL
12	SDA
27	ModPrsL
28	IntL
29	VccTx
30	Vcc1
31	LPMode



*DC Blocking Caps on P1 Rx Side.

Desc.	QSFP/4x Ejector Type Cable Assembly	Approved	Checked	Designed	Tolerance	Scale	*	Unit	mm	
P/N	UASS-RC005246	Customer P/N		Sino	*	Date	02/18/12	DWG NO:	DWG\RC\5246	

1	2	3	4	5	6	7	8	9
---	---	---	---	---	---	---	---	---