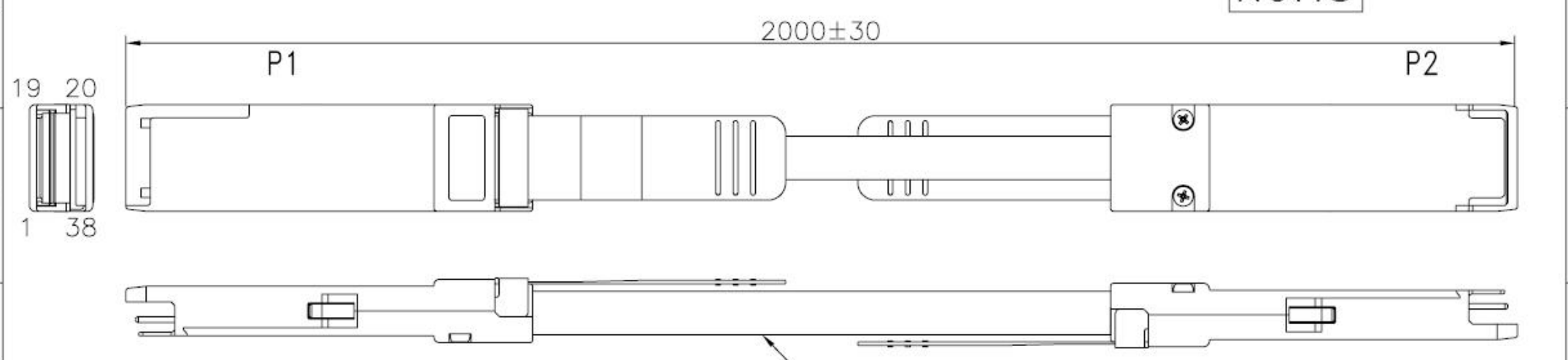


Rev.	Remark	Date	Sign.

RoHS



Material RoHS Compliant:

1. Cable:
 - Conductor: 28 AWG Solid Silver Plated Copper, 0.320 mm Diameter.
 - Insulation: 0.3048 mm of Foam Polyolefin, 0.939 mm Diameter, Color-Natural.
 - Pair: 2 Singles Laid Flat and Parallel.
 - Pair Drain Wire: 30 AWG Solid Silver Plated Copper.
 - Pair Shield: Aluminum/Polyester Tape. Aluminum Side Facing In, 25% Overlap.
 - Inner Shield: Aluminum/Polyester Tape, Aluminum Side Facing Out, 25% Overlap.
 - Outer Shield: 38 AWG Tin Plated Copper Braid, 85% Coverage.
 - Diameter: 7.874 mm Nominal.
 - Print Legend: "(UL) TYPE CL2 75°C 28 AWG MADISON CABLE C(UL)TYPE CMG 75°C TurboTwin™ RoHS COMPLIANT"
 - Differential Impedance: 100±5 Ohms @ TDR
 - UL Listing: Type CL2 as Specified in Article 725 of the National Electrical Code.
2. Connector:
 - P1,P2: 4x-Pluggable-QSFP(SFF-8436)
 - (1) PCB: FR4, 4 Layers.(SPCB-040068A, AC Coupling)
 - (2) Latch: Stainless Steel with Pull Tab.
 - (3) Backshell- Zinc Die Casting Hood/ Nickel Plating.
3. For Infiniband DDR.
4. Two-Wire Serial Memory: Atmel AT24C02B EEPROM(256 Bytes), Digital monitoring & control function and memory page not supported.

	Desc.	QSFP Passive Cable Assembly	Approved	Checked	Designed	Tolerance	Scale	*	Unit	mm	
P/N	UASS-RC003106	Customer P/N			LAI	*	Date	05/22/'09	DWG NO:	DWG\RC\3106	

1	2	3	4	5	6	7	8	9
Rev.	Remark	Date	Sign.					

Wiring Diagram

High Speed Signal				
P1(4x-Pluggable-QSFP)			P2(4x-Pluggable-QSFP)	
Pad	Signal		Pad	Signal
02	TX2n		21	RX2n
03	TX2p		22	RX2p
05	TX4n		24	RX4n
06	TX4p		25	RX4p
14	RX3p		33	TX3p
15	RX3n		34	TX3n
17	RX1p		36	TX1p
18	RX1n		37	TX1n
21	RX2n		02	TX2n
22	RX2p		03	TX2p
24	RX4n		05	TX4n
25	RX4p		06	TX4p
33	TX3p		14	RX3p
34	TX3n		15	RX3n
36	TX1p		17	RX1p
37	TX1n		18	RX1n
GND Group	GND		GND Group	GND
GND Group	01,04,07,13,16,19		GND Group	01,04,07,13,16,19
	20,23,26,32,35,38			20,23,26,32,35,38
Connector Shell			Connector Shell	

*DC Blocking Caps on Rx Side.

Low Speed Signal & Power		
P1(4x-Pluggable-QSFP)		
Pad	SIGNAL	
08	ModSelL	~ Vcc
09	ResetL	~ Vcc
10	VccRx	N.C.
11	SCL	Serial EEPROM
12	SDA	Serial EEPROM
27	ModPrsL	~ GND
28	IntL	~ Vcc
29	VccTx	• Vcc
30	Vcc1	• Vcc
31	LPMode	N.C.

Low Speed Signal & Power		
P2(4x-Pluggable-QSFP)		
Pad	Signal	
08	ModSelL	~ Vcc
09	ResetL	~ Vcc
10	VccRx	N.C.
11	SCL	Serial EEPROM
12	SDA	Serial EEPROM
27	ModPrsL	~ GND
28	IntL	~ Vcc
29	VccTx	• Vcc
30	Vcc1	• Vcc
31	LPMode	N.C.

	Desc. QSFP Passive Cable Assembly	Approved	Checked	Designed LAI	Tolerance *	Scale	* Date 05/22/'09	Unit mm	DWG NO: DWG\RC\3106
P/N	UASS-RC003106	Customer P/N							

1	2	3	4	5	6	7	8	9
---	---	---	---	---	---	---	---	---