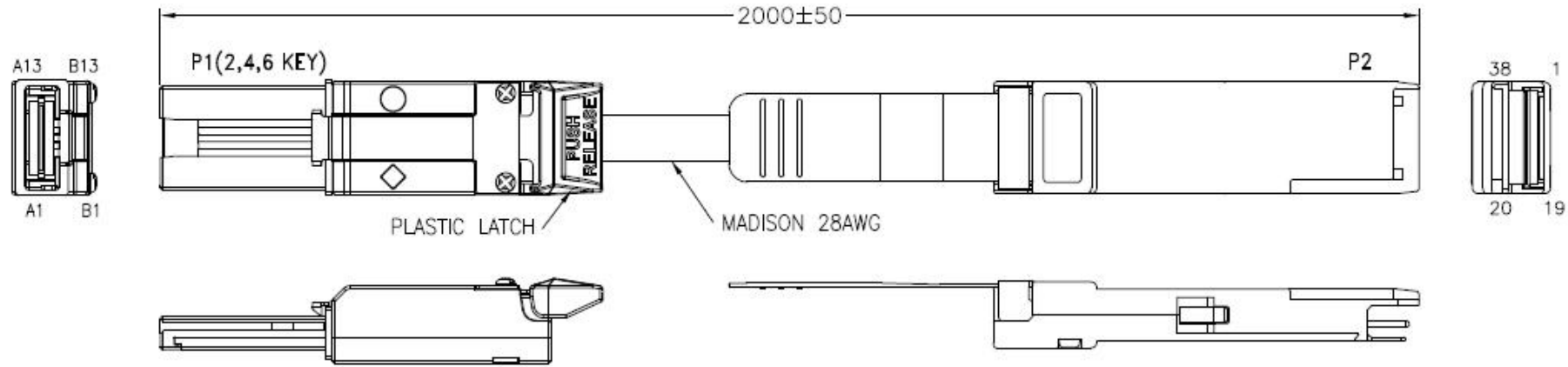


1	2	3	4	5	6	7	8	9
REV.	REMARK	DATE	SIGN.					

RoHS



MATERIAL RoHS COMPLIANT:

1. CABLE:

CONDUCTOR: 28AWG SOLID SILVER PLATED COPPER.
 INSULATION: FOAM POLYOLEFIN.
 PAIR: 2 SINGLES LAID FLAT AND PARALLEL.
 CORE: 8 PAIRS
 PAIR DRAIN WIRE: 30AWG SOLID SILVER PLATED COPPER.
 PAIR SHIELD: ALUMINUM/POLYESTER TAPE. ALUMINUM SIDE FACING IN, 25% OVERLAP.
 INNER SHIELD: ALUMINUM/POLYESTER TAPE, ALUMINUM SIDE PACING OUT, 25% OVERLAP.
 OUTER SHIELD: 38AWG TIN PLATED COPPER BRAID, 85% COVERAGE.
 DIAMETER: 7.874mm
 PRINT LEGEND: "MADISON CABLE CORP. TYPE CL2 75°C 28AWG (UL) TurboTwist™ RoHS COMPLIANT"
 DIFFERENTIAL IMPEDANCE: 100±5 OHMS @TDR
 UL LISTING: TYPE CL2 AS SPECIFIED IN ARTICLE 725 OF THE NATIONAL ELECTRICAL CODE.

2. CONNECTOR:

P1: Mini SAS 4x CABLE PLUG – 26CKT CONNECTOR(SFF-8088)
 (1) P.C.B: 4 LAYERS, GOLD PLATING ON CONTACT PADS.
 (2) LATCH: STAINLESS STEEL.
 (3) BACKSHELL: ZINC DIE CASTING HOOD/NICKEL PLATING.
 (4) WITH EXTERNAL UNIVERSAL KEY.
 P2: 4x-Pluggable-QSFP(SFF-8436)
 (1) P.C.B: 4 LAYERS, GOLD PLATING ON CONTACT PADS.(SPCB-040078A, AC Coupling)
 (2) LATCH: STAINLESS STEEL WITH PULL TAB.
 (3) BACKSHELL: ZINC DIE CASTING HOOD/ NICKEL PLATING.

3. FOR SAS 6G USE.

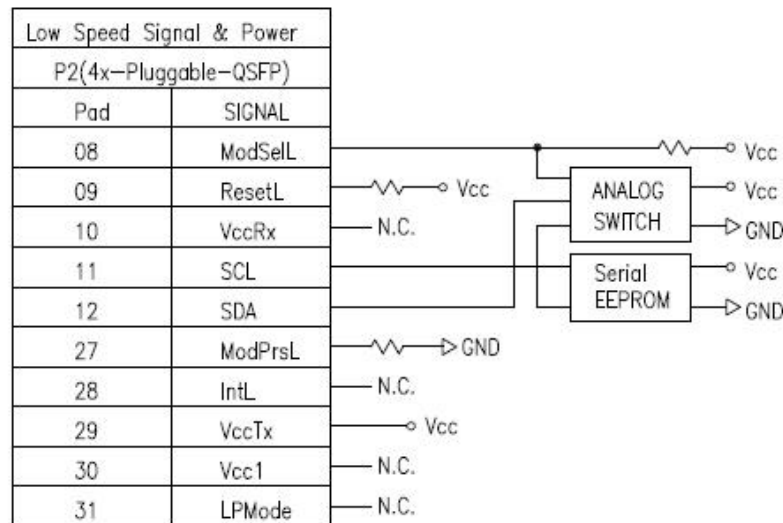
**4. TWO-WIRED SERIAL MEMORY: ATMEL AT24C02B EEPROM (256 BYTES),
 DIGITAL MONITORING & CONTROL FUNCTION
 AND MEMORY PAGE NOT SUPPORTED.**

	DESC.	Mini SAS 4x TO QSFP CABLE ASSEMBLY	APPROVED	CHECKED	DESIGNED	TOLERANCE	SCALE	*	UNIT	mm	
	P/N	UASS-RC005232	CUSTOMER P/N		Sino		DATE	02/17/12	DWG NO:	DWG\RC\5232	

1	2	3	4	5	6	7	8	9
REV.	REMARK	DATE	SIGN.					

WIRING DIAGRAM

HIGH SPEED SIGNAL			
P1(Mini SAS 4x Plug)		P2(4x-Pluggable-QSFP)	
PIN	SIGNAL	PAD	SIGNAL
A6	RX1-	02	TX2n
A5	RX1+	03	TX2p
A12	RX3-	05	TX4n
A11	RX3+	06	TX4p
B8	TX2+	14	RX3p
B9	TX2-	15	RX3n
B2	TX0+	17	RX1p
B3	TX0-	18	RX1n
B6	TX1-	21	RX2n
B5	TX1+	22	RX2p
B12	TX3-	24	RX4n
B11	TX3+	25	RX4p
A8	RX2+	33	TX3p
A9	RX2-	34	TX3n
A2	RX0+	36	TX1p
A3	RX0-	37	TX1n
GND GROUP	GND	GND GROUP	GND
GND GROUP: A1,A4,A7,A10,A13, B1,B4,B7,B10,B13.		GND GROUP: 01,04,07,13,16,19, 20,23,26,32,35,38.	
Connector Shell		Connector Shell	



*DC Blocking Caps on P2 Rx End.

DESC.	Mini SAS 4x TO QSFP CABLE ASSEMBLY	APPROVED	CHECKED	DESIGNED	TOLERANCE	SCALE	*	UNIT	mm	
P/N	UASS-RC005232	CUSTOMER P/N		Sino	*	DATE	02/17/12	DWG NO:	DWG\RC\5232	

1	2	3	4	5	6	7	8	9
---	---	---	---	---	---	---	---	---