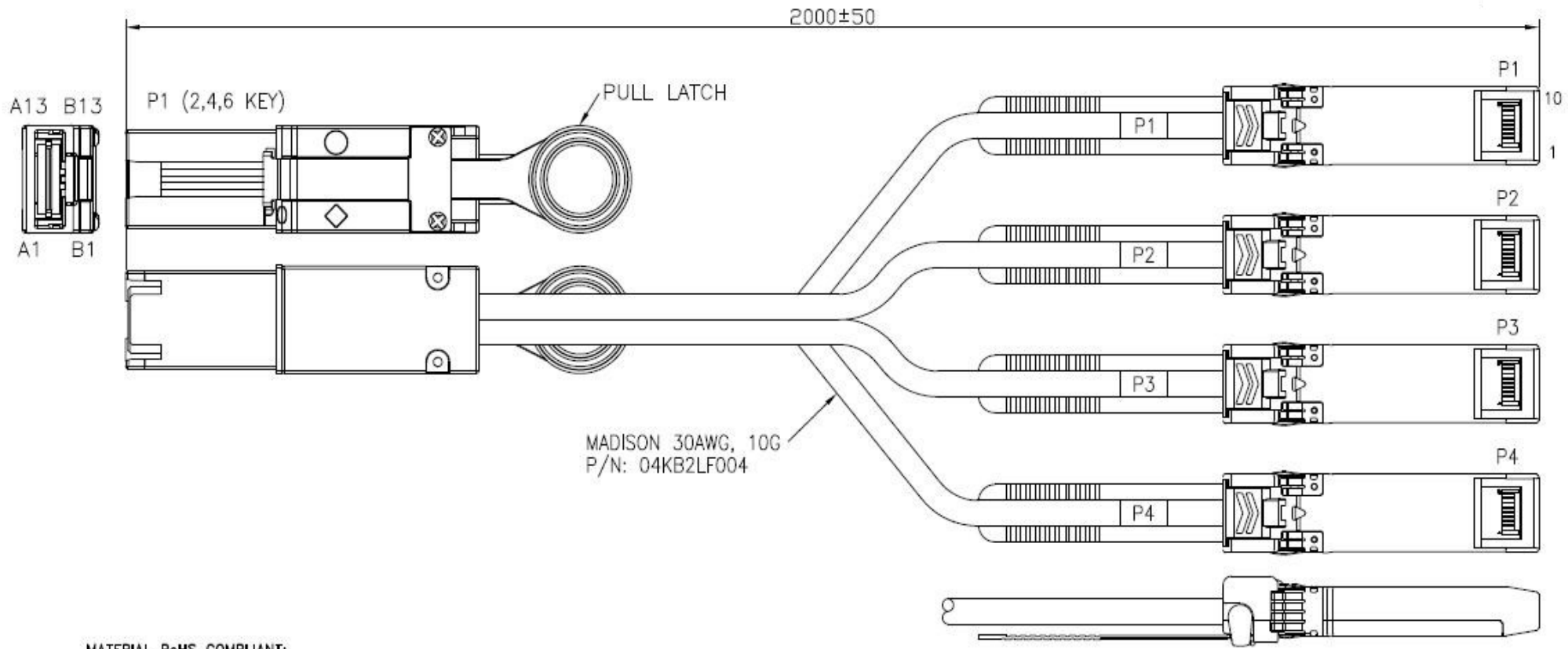


1	2	3	4	5	6	7	8	9
REV.	REMARK	DATE	SIGN.					

buy on www.cablematic.com



MATERIAL RoHS COMPLIANT:

1.CABLE:
 CONDUCTOR: 30 AWG SOLID SILVER PLATED COPPER.
 INSULATION: FOAM POLYOLEFIN, COLOR - NATURAL.
 PAIR: 2 SINGLES LAID FLAT AND PARALLEL.
 CORE: 2 PAIRS
 PAIR DRAIN: 30 AWG SOLID SILVER PLATED COPPER.
 PAIR SHIELD: ALUMINUM/POLYESTER TAPE, ALUMINUM SIDE FACING IN.
 INNER SHIELD: ALUMINUM/POLYESTER/ALUMINUM TAPE, 25% OVERLAP.
 OUTER SHIELD: 38 AWG TIN PLATED COPPER BRAID, 85% COVERAGE.
 JACKET: XPBT, COLOR - BLACK.
 DIAMETER: 4.445±0.254 MM
 DIFFERENTIAL IMPEDANCE: 100 ± 5 OHM @TDR.
 PRINTED LEGEND: "MADISON CABLE (UL) TYPE CL2 75°C 30 AWG
 CSA AWM II A/B 75C 30V FT4 TurboTwin™ 10G 101-6869 RoHS COMPLIANT {D/C}"
 APPROVAL: UL TYPE CL2 AS SPECIFIED IN ARTICLE 725 OF THE NATIONAL ELECTRICAL CODE.

2.CONNECTOR:

P0: Mini SAS 4x CABLE PLUG - 26CKT CONNECTOR.(SFF-8088).

- (1) P.C.B: 4 LAYERS, GOLD PLATING ON CONTACT PADS.
- (2) LATCH: STAINLESS STEEL
- (3) PULL LATCH: NYLON,COLOR: BLUE
- (4) BACKSHELL- ZINC DIE CASTING HOOD/ NICKEL PLATING
- (5) WITH EXTERNAL UNIVERSAL KEY

P1-P4: SFP+ MODULE (SFF-8431)

- (1) HOOD: ZINC DIE CASTING, NICKEL PLATING.
- (2) LATCH: PC RESIN UL94V, COLOR IN BLACK.
- (3) P.C.B: 4 LAYERS, GOLD PLATING ON CONTACT PADS.(SPCB-040077A, AC Coupling)
- (4) SERIAL ID IC: ATMEL AT24C02B OR EQUIVALENT.
- (5) PULL TAB: NYLON, UL94V-0, COLOR: WHITE.

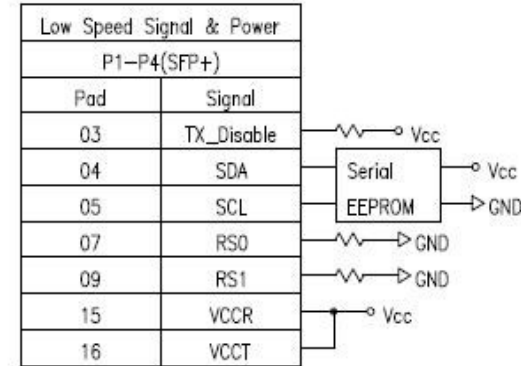
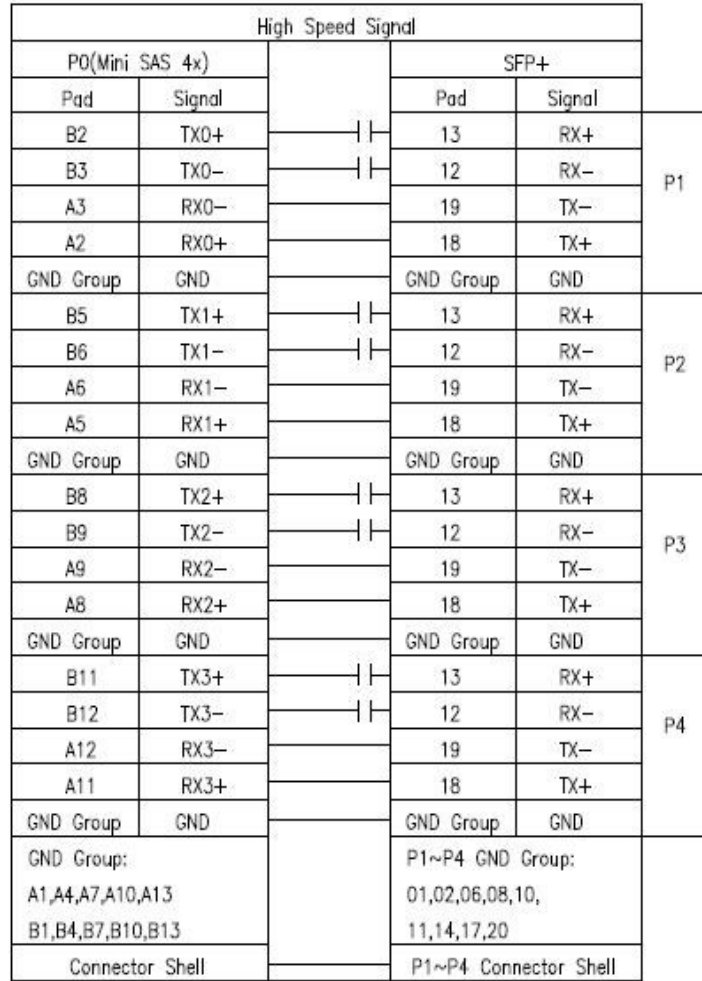
3.FOR SAS 6G USE.

DESC.	Mini SAS 4x TO 4*SFP+ PASSIVE CABLE ASS'Y	APPROVED	CHECKED	DESIGNED	TOLERANCE	SCALE	*	UNIT	mm	
P/N	UASS-RC005515	CUSTOMER P/N		Sino		DATE	06/19/12	DWG NO:	DWG\RC\5515	

1	2	3	4	5	6	7	8	9
REV.	REMARK	DATE	SIGN.					

buy on www.cablematic.com

Wiring Diagram



*AC Coupling Caps on P1-P4 Rx Side.

DESC.	Mini SAS 4x TO 4*SFP+ PASSIVE CABLE ASS'Y	APPROVED	CHECKED	DESIGNED	TOLERANCE	SCALE	*	UNIT	mm	
P/N	UASS-RC005515	CUSTOMER P/N		Sino		DATE	06/19/'12	DWG NO:	DWG\RC\5515	

1	2	3	4	5	6	7	8	9
---	---	---	---	---	---	---	---	---