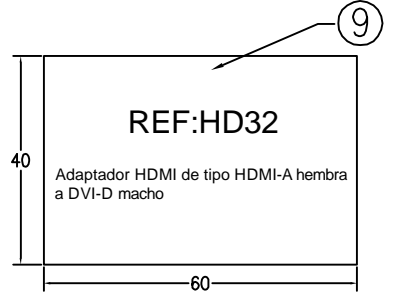
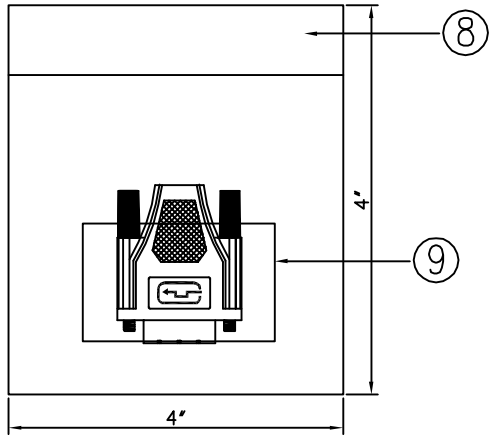
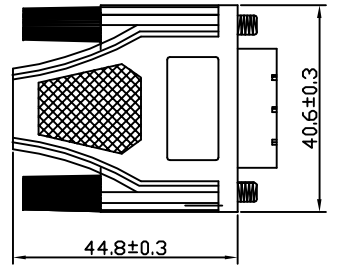
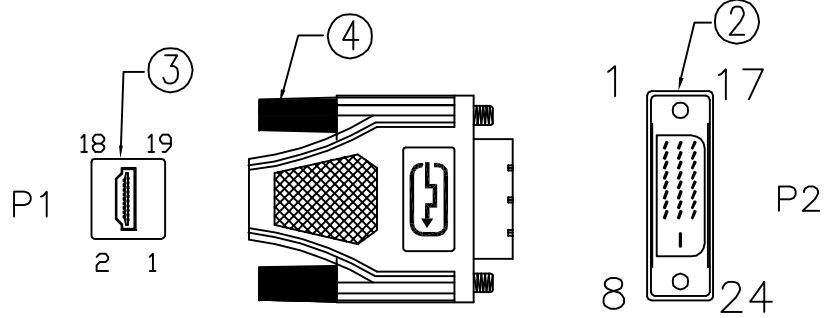


<b>WEIGHT:</b>	<b>CUSTOMER NO:</b>	<b>REMARK</b>
44g-L4	HD32	CABLEMATIC



**NOTE:**  
 1) PLUG GOLD PLATED.  
 2) RoHS Compliant.  
 3) DIE NO:OYOH002.  
 4) 1PC/PE BAG+LABEL.

P1	HDMI 19F	P2	DVI-D(24P+1) MALE
2	_____	3	_____
1	_____	2	_____
3	_____	1	_____
5	_____	11	_____
4	_____	10	_____
6	_____	9	_____
8	_____	19	_____
7	_____	18	_____
9	_____	17	_____
11	_____	22	_____
10	_____	23	_____
12	_____	24	_____
17	_____	15	_____
18	_____	14	_____
19	_____	16	_____
15	_____	6	_____
16	_____	7	_____
SHELL	_____	SHELL	_____

4	SCREW:#4-40UNC E:30.5MM BLACK(1101) FOR APPLE PLATED GOLD (RoHS)
3	DVI24+1 MALE BLACK SOLDER TYPE TERMINAL&SHELL PLATED GOLD W/O METAL HOOD (RoHS)
2	HDMI A/F BLACK SOLOER TYPE Terminal&shell gold plated RoHS
1	NON UL 28#1C RED ID:0.85MM (RoHS)

A	FIRST EDITION	WUZAN	26/03/2011										
REV.	ECR	DESCRIPTION	C.N. DATE										
<small>THESE DRAWINGS AND SPECIFICATIONS ARE THE PROPERTY OF WIRETEK COMPUTER LIMITED AND SHALL NOT BE REPRODUCED COPIED OR USED IN ANY MANNER WITHOUT THE PRIOR WRITTEN CONSENT OF WIRETEK COMPUTER LIMITED.</small>													
<small>UNLESS OTHERWISE SPECIFIED: DIMENSIONS ARE IN MILLIMETERS ANGULAR TOLERANCE: ±1.0°</small>		TITLE											
<table border="1"> <tr> <th>DIMENSIONS</th> <th>TOLERANCE</th> </tr> <tr> <td>0.00 TO 30.00mm</td> <td>±0.10mm</td> </tr> <tr> <td>30.01 TO 80.00mm</td> <td>±0.13mm</td> </tr> <tr> <td>80.01 TO 150.00mm</td> <td>±0.15mm</td> </tr> <tr> <td>150.01mm</td> <td>±0.20mm</td> </tr> </table>		DIMENSIONS	TOLERANCE	0.00 TO 30.00mm	±0.10mm	30.01 TO 80.00mm	±0.13mm	80.01 TO 150.00mm	±0.15mm	150.01mm	±0.20mm	<b>HDMI ADAPTER</b>	
DIMENSIONS	TOLERANCE												
0.00 TO 30.00mm	±0.10mm												
30.01 TO 80.00mm	±0.13mm												
80.01 TO 150.00mm	±0.15mm												
150.01mm	±0.20mm												
MATERIAL		CHKD.	CONF.										
FINISH		DR. WUZAN	APPD.										
PART NO.		2202-0426											
SCALE / SHEET 1/1		UNIT MM	SIZE A4										
		REV. A											