

Wall Plate HDMI & IR Repeater CAT5 Extender

ITEM NO.: HW02 Wall Plate HDMI & IR Repeater CAT5 Extender

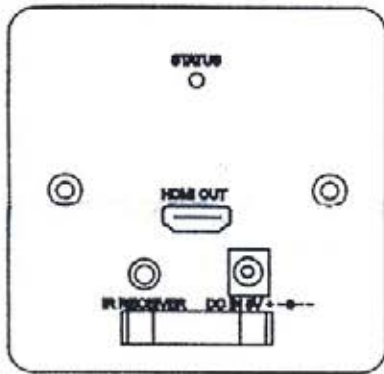
HW02 Wall Plate HDMI with IR repeater CAT5 extender is designed to use two low cost CAT5E cable to extend HDTV sources from DVD players, Blu-ray Disc player PS3. With extra IR repeater function for easy and friendly control HDMI sources from the remote site.

Features:

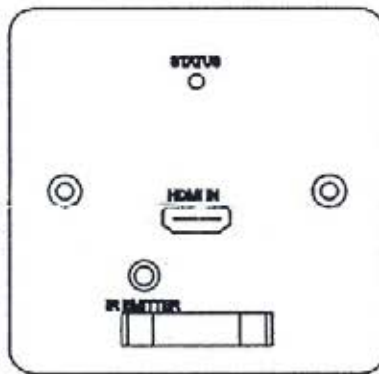
- Extends HDMI and IR signal over two CAT5/5e/6 cables.
- Transmission range up to 100 meters.
- Support high resolution up to 1080p.
- Built in auto EQ function, no need to do any adjustment for different range.
- Fully HDCP compliant.
- HDMI 1.3a compatible, HDCP 1.1, support DDC, EDID, CEC, Hot Plug Detect
- Built in IR repeater function, could be control the source devices from remote side.
- Receiver unit power could be sending from PCB inside 5V terminal or external 5V DC Jack.
- Package includes: transmitter and receiver unit, one external power adapter, IR emitter cable and IR receiver cable. (1.8 meters (6 ft))

Panel view & Function:

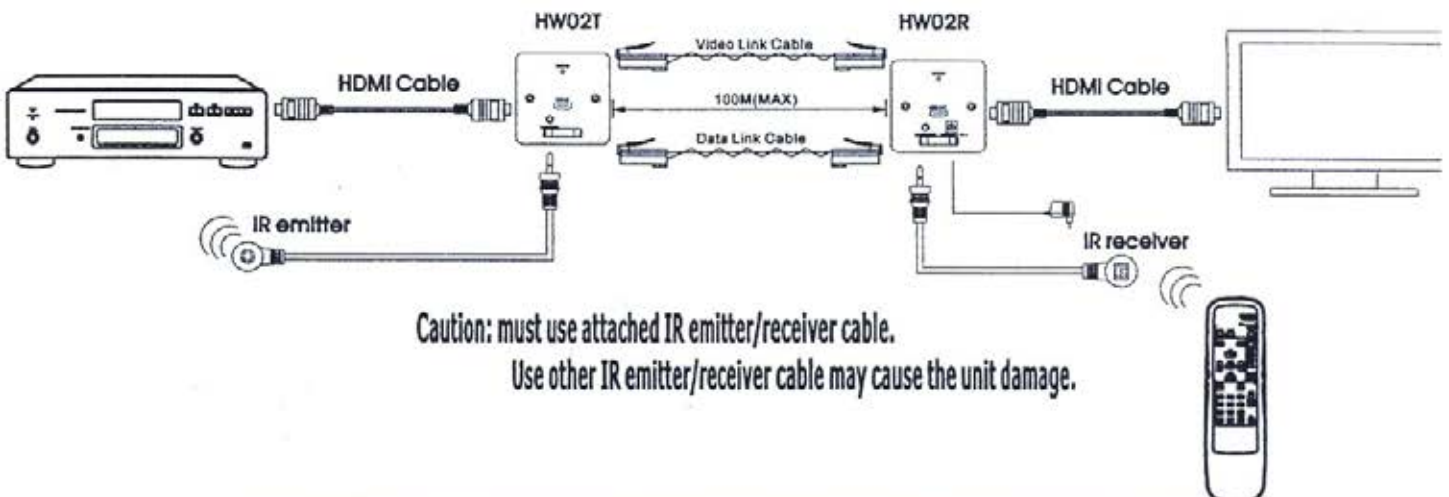
HW02R



HW02T



Installation view:



Caution: must use attached IR emitter/receiver cable.
Use other IR emitter/receiver cable may cause the unit damage.

Resolution	Transmission Range (Max.)
480i / 576i / 480p / 576p	100M
720p / 1080i	70M
1080p	30M

Cable:

Video Link cable using hi quality CAT5E UTP or CAT6 UTP cable, CAT6 cable enhances transmission range and signal stability.

Data Link cable using CAT5E UTP/STP cable,

It is not hi speed signal transmission, so using regular CAT5E UTP cable will be ok.

RJ45 pin Define:

Video Link (TIA/EIA-568-B)

- | | |
|-----------------|--------------|
| 1. Orange-white | TMDS Data2 + |
| 2. Orange | TMDS Data2 - |
| 3. Green-white | TMDS Clock + |
| 4. Blue | TMDS Data1 + |
| 5. Blue-white | TMDS Data1 - |
| 6. Green | TMDS Clock - |
| 7. Brown-white | TMDS Data0 + |
| 8. Brown | TMDS Data0 - |

Data Link (TIA/EIA-568-B)

- | | |
|-----------------|-------------|
| 1. Orange-white | CEC |
| 2. Orange | HPD |
| 3. Green-white | SCL |
| 4. Blue | HW02R POWER |
| 5. Blue-white | IR |
| 6. Green | GND |
| 7. Brown-white | SDA |
| 8. Brown | HW02T POWER |



LED Indication:

- HW02T Status:** Blue = normal.
 Red = abnormal (HDMI equipment power off or cable not have properly connection)
 Flash = IR emitting.
 Off = No Power. (HDMI Source power off and no connect with HW02R)

- HW02R Status:** Blue = Normal.
 Red = abnormal (HDMI equipment power off or cable not have properly connection)
 Off = No power or power source is too low

Caution:

1. The cabling must away from any equipment with electromagnetic wave, i.e.: microwav radio equipment, high voltage.
2. HW02 Data Rate support up to 1.65Gbps, but not support 1080p Deep Color signal.
3. IR receiving angle is $\pm 45^\circ$ with maximum distance 5 meters.
 IR emitting angle is $\pm 30^\circ$ with maximum distance 3 meters.

Specification:

ITEM NO.	HW02T	HW02R
Resolution	480i / 576i / 480p / 576p / 720p / 1080i / 1080p	
Data Rate	Max 1.65Gbps	
Equalization	40dB @ 825MHz (1.65Gbps)	
Link Cable Distance	CAT5E 70M@1080i , CAT5E 30M @1080p	
HDMI Connector	HDMI A Type x 1 (Input)	HDMI A Type x 1 (Output)
3.5 mm Connector	IR emitter	IR receiver
Link Connector	RJ-45 Shielded x 2	
IR Carrier Frequency	38Khz	
Power Consumption	X	5V 500mA (Max)
Power Supply	DC5V 1Amp	
Temperature	Operation: 0 to 55°C, Storage: -20 TO 85°C, Humidity: up to 95%	
DIMENSIONS W x H x D mm	86W x 32H x 86D.	
Weight g	120 g x 2	