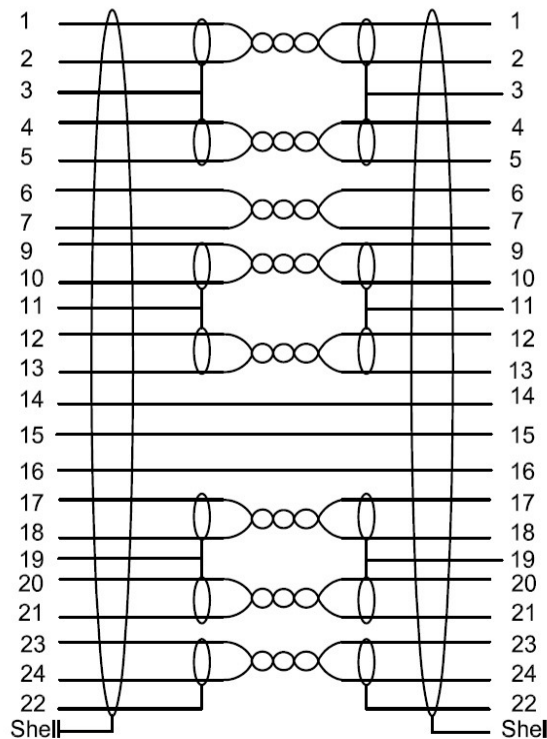


CONNECTION

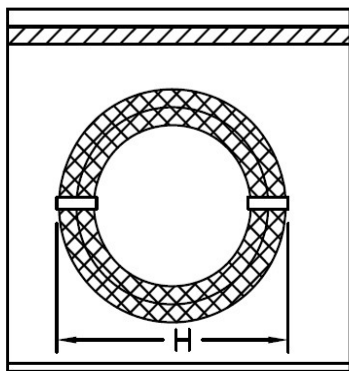


| ERP NO. | PART NO. | LENGTH(L) | LENGTH(H) |
|----------------|----------|-----------|-----------|
| A00-00601-0023 | HE41 | 1800±50 | Φ 140±20 |
| A00-00601-0024 | HE42 | 3000±80 | |
| A00-00601-0025 | HE43 | 5000±80 | Φ 160±20 |

ELECTRIC TESTING:

- INSULATION RESISTANCE: $\geq 20 \text{ M}\Omega$
- CONDUCTOR RESISTANCE: $\leq 5 \Omega$
- VOLTAGE: DC 300V

HANK SIZE



| NO. | DESCRIPTION |
|-----|---|
| 7 | Cable Spec: [(7/0.127TC*1P+7/0.127TC+AL.F+Mylar)*7+7/0.127TC*1P+7/0.127TC*3C+AL.F+24/8/0.12TC] OD:8.6mm Black PVC Jacket+ Black PET Braid |
| 6 | DVI Screw - Gold Plated (4-40# UNC/OW3-GG-007) |
| 5 | PVC - Gray (M01-851-045/YT-1045) |
| 4 | Ferrite Core (RH:17.5*28.5*10.7mm/YT-0040) |
| 3 | PVC - Black (M01-011-060/ YT-1046) |
| 2 | Plastic Cap - Transparent(OPT-110-017) |
| 1 | DVI-Digital (Dual Link) Plug-Gold Plated(P19-2501G) |

| | | | | |
|------------------------------|------------|-----------|---------|----------|
| CUSTOMER: CDM(CABLEMATIC) | DATE | DRAWN | CHECKED | APPROVAL |
| | 2008/08/25 | S.L.ZHAN | | |
| DOC No. : | UNIT: mm | SCALE: NO | REV: A | |

| | |
|--|------------|
| PRODUCT: | PART No. : |
| DVI-Digital(Dual Link) Plug Both End+ Ferrite | HE4* |