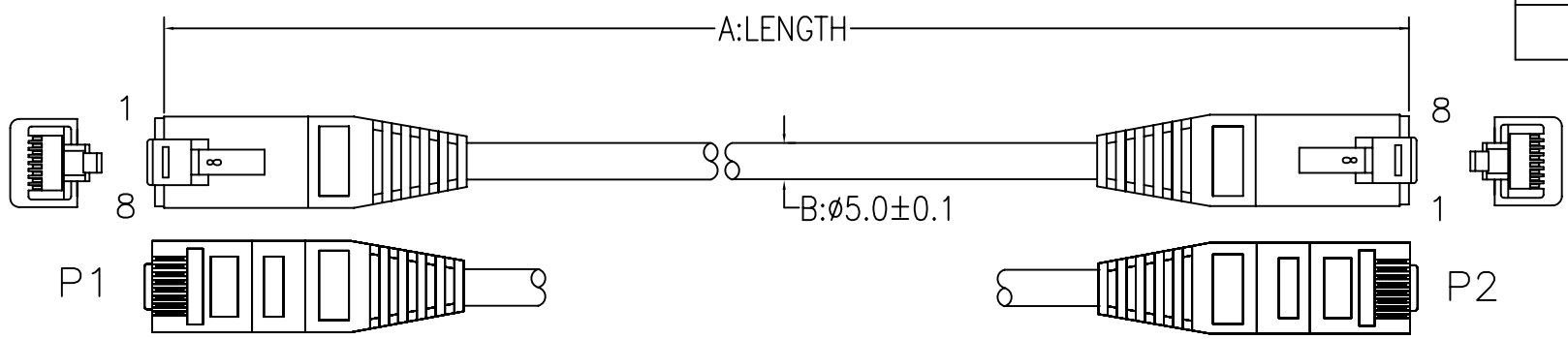
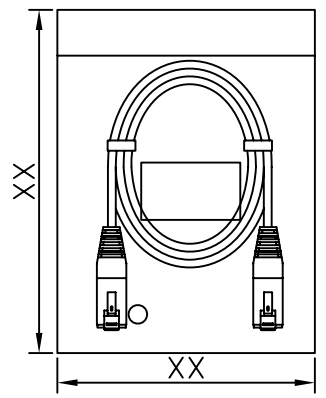
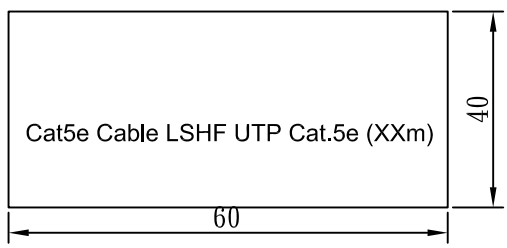
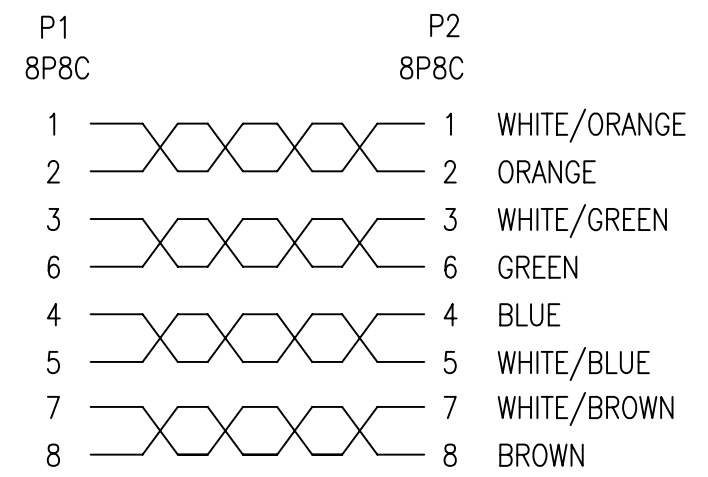


CUSTOMER NO:	REMARK
	Cablematic



PART NO.:	ITEM NO.:	LENGTH	PE BAG SIZE	LABEL SIZE	CARTON QTY
W47C5ULGLS0.25	HF41	250±20MM	6"×8"×0.06MM	40×60mm	350PCS
W47C5ULGLS0.5	HF42	500±30MM	6"×8"×0.06MM	40×60mm	300PCS
W47C5ULGLS01	HF43	1000±30MM	6"×8"×0.06MM	40×60mm	200PCS
W47C5ULGLS02	HF44	2000±30MM	6"×8"×0.06MM	40×60mm	150PCS
W47C5ULGLS03	HF45	3000±30MM	8"×10"×0.06MM	40×60mm	80PCS
W47C5ULGLS04	HF46	4000±40MM	8"×10"×0.06MM	40×60mm	60PCS
W47C5ULGLS05	HF47	5000±50MM	8"×12"×0.06MM	40×60mm	50PCS
W47C5ULGLS10	HF48	10000±100MM	8"×12"×0.06MM	40×60mm	40PCS
W47C5ULGLS15	HF49	15000±100MM	8"×12"×0.06MM	40×60mm	20PCS
W47C5ULGLS20	HF50	20000±100MM	9"×14"×0.06MM	40×60mm	15PCS

PINOUT:



3	OUTER JACKET PVC 45Pa LIGHT GRAY(2005) (RoHS)
2	RJ45 8P8C PLUG PLATED GOLD 3U" UN/SHIELD (RoHS)
1	CAT. 5E UTP CABLE 26#4P(7*0.16) CCA STRANDED TYPE LIGHT GRAY(2005) LSHFOD:5.0MM XXXXMM LSOH(RoHS)

A	FIRST EDITION	J.LAN	16/10/10
REV. ECR	DESCRIPTION	C.N.	DATE
<small>THESE DRAWINGS AND SPECIFICATIONS ARE THE PROPERTY OF WIRETEK COMPUTER LIMITED AND SHALL NOT BE REPRODUCED COPIED OR USED IN ANY MANNER WITHOUT THE PRIOR WRITTEN CONSENT OF WIRETEK COMPUTER LIMITED.</small>			
<small>UNLESS OTHERWISE SPECIFIED: DIMENSIONS ARE IN MILLIMETERS ANGULAR TOLERANCE: ±1.0°</small>		<b>TITLE</b> <h1>UTP CABLE</h1>	
DIMENSIONS	TOLERANCE	CHKD.	CONF.
0.00 TO 30.00mm	±0.10mm		
30.01 TO 80.00mm	±0.13mm	DR.	APPD.
80.01 TO 150.00mm	±0.15mm		
150.01mm	±0.20mm		
MATERIAL	<b>MATERIAL</b>	PART NO.	<b>W47C5ULGLSXX</b>
FINISH	<b>FINISH</b>	SCALE	SHEET <b>1/2</b> UNIT <b>MM</b> SIZE <b>A4</b> REV. <b>A</b>