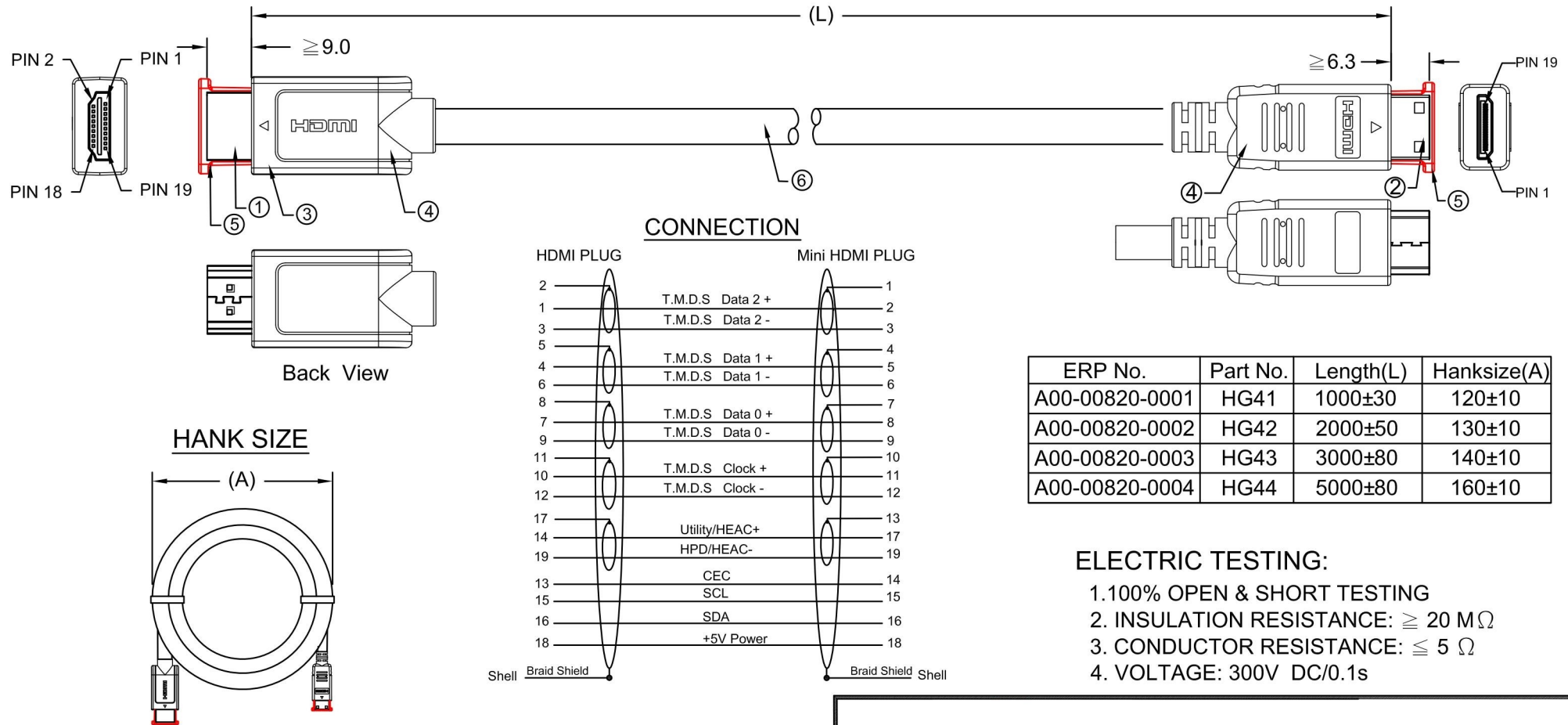


REV.	REVISED DESCRIPTION	DATE	CHECKED
2.0	Amend HDMI C Type Drawing	09/12/17	LLN



ERP No.	Part No.	Length(L)	Hanksize(A)
A00-00820-0001	HG41	1000±30	120±10
A00-00820-0002	HG42	2000±50	130±10
A00-00820-0003	HG43	3000±80	140±10
A00-00820-0004	HG44	5000±80	160±10

ELECTRIC TESTING:
 1. 100% OPEN & SHORT TESTING
 2. INSULATION RESISTANCE: $\geq 20 \text{ M}\Omega$
 3. CONDUCTOR RESISTANCE: $\leq 5 \Omega$
 4. VOLTAGE: 300V DC/0.1s

NO	SPECIFICATION
6	Cable Spec: {[(7/0.10Tc+FM-PE+SKIN)*1P+7/0.10Tc+AL+Mylar]*5P+(7/0.10Tc+HD-PE)*4C+Cotton+AL+BraidTc}*1C OD:6.0mm Black PVC Jacket
5	Plastic Cap-Transparent
4	PVC-Black (M01-011-060/YT-1291&YT-1677)
3	PVC-Gray 40P(M01-822-040/YT-1290-B)
2	MINI HDMI Plug - Gold Plated (P37-M006G-00)
1	HDMI Plug - Gold Plated Pin 30U"(P37-0044G)

TOLERANCES UNLESS OTHERWISE STATED
 X. = ± 1
 .X = ± 0.2
 .XX = ± 0.1

ERP NO.:	A00-00820-000*	SAMPLE DWG NO.:	
DOC No.:	EAC-019-HG4*	REVISION	2.0
CUSTOMER:	CDM	UNIT	mm
CUSTOMER P/N:	HG4*	SCALE	NO
DESCRIPTION	HDMI A Type Plug to HDMI C Type Plug 1.4v 30# (Gold)	PAGE NO	1/1
APPROVAL	CHECKED	DATE	09/12/17
		DRAWN	LLN