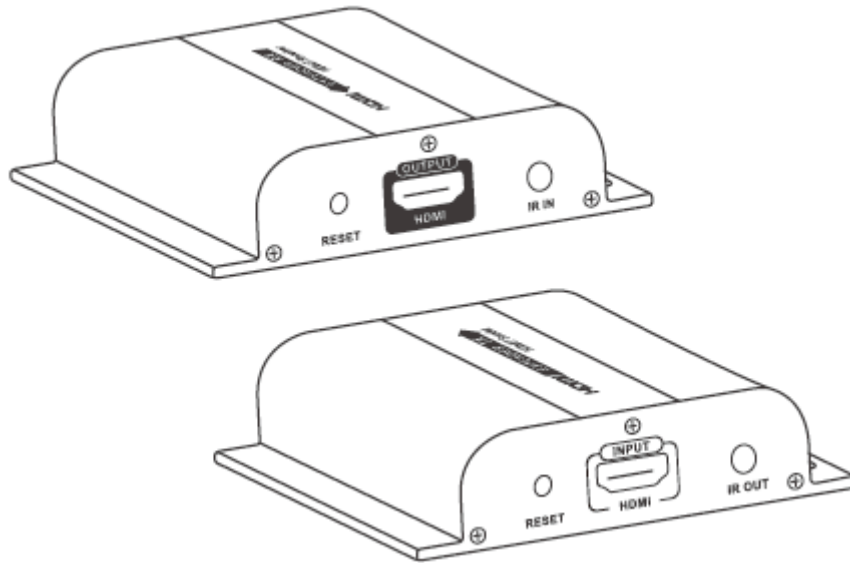


HDbiT HDMI Extender

User Manual



1 . INTRODUCTION

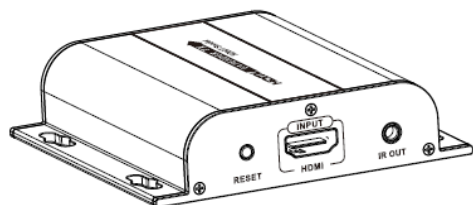
HDMI HDbiT extender, takes the advantages of the latest transmission technology – HDbiT, extend the transmit length of HDMI Visual/Audio up to 120m(394ft) with single network cable. Supports IR signal transmission, to control media playback of the signal source device at the display location .

Important Safety instructions:

1. Do not mix up the HDMI to LAN sender and LAN to HDMI receiver, and the IR blaster and IR receiver.
2. Do not plug-in/out the cables ,when it is in using
3. Use DC 5V power supply only. Make sure the specification matched if using 3rd party DC adapters.

2. Package Contents

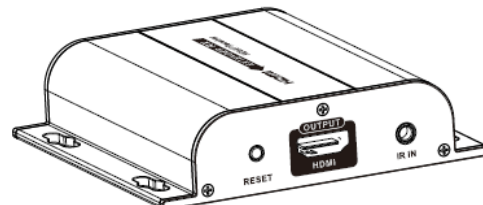
1.HDMI EXTENDER TX×1pcs



3.DC5V/1A DC Adaptor×2pcs



2. HDMI EXTENDER RX×1pcs



4. User Manual×1pcs



5. IR blaster extension cable×1



6. IR receiver extension cable×1



3. Installation Requirements

3.1. HDMI source devices: with HDMI OUTPUT interface, DVD, PS3, STB, PC etc.

3.2. Display devices : With HDMI INPUT port, SDTV, HDTV, projector

3.3. Network cables :

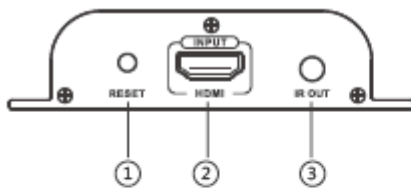
UTP/STP Cat5e/6 network cables, which following the standard of IEEE-568B.

Transmission length: CAT5 80m/CAT5E 100m/CAT6 120m

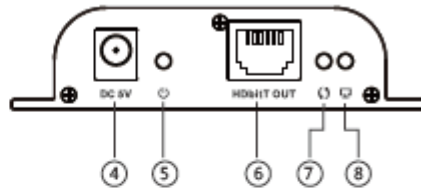
4. Interface



4.1.HDMI EXTENDER TX (Sender)

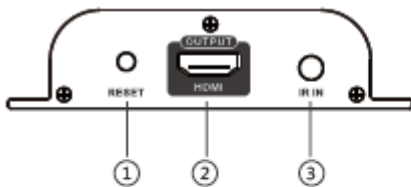


- ① Reset
- ② HDMI signal input
- ③ IR signal output to connect with blaster extension cable
- ④ Power input (DC5V)

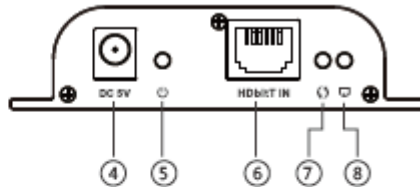


- ⑤ Power Light
- ⑥ HDbitT signal output
- ⑦ Data transmission light
- ⑧ Network link light

4.2.HDMI EXTENDER RX (Receiver)



- ① Reset
- ② HDMI signal output
- ③ IR signal input to connect with IR receiver extension cable
- ④ Power input (DC5V)



- ⑤ Power Light
- ⑥ HDbitT signal input
- ⑦ Data transmission light
- ⑧ Network link light

5. Connection & Installation

5.1. How to make a Cat5e/6 network cable



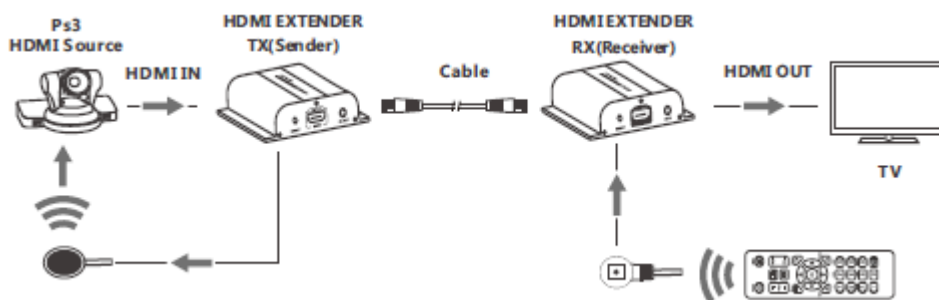
Follow the standard of IEEE-568B:

1	white and orange	4	blue	7	white and brown
2	orange	5	white and blue	8	brown
3	white and green	6	green		

5.2 Connections

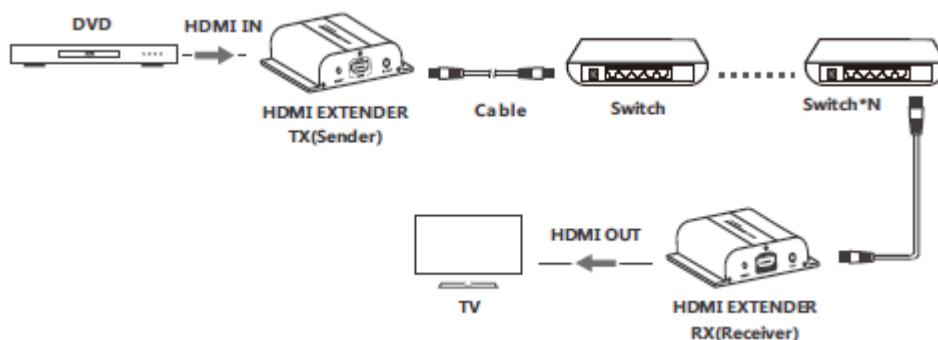
5.2.1 Point to Point connection:

Up to 120 meters transmission distance over single CAT6 (High quality cable can reach 150 meters)



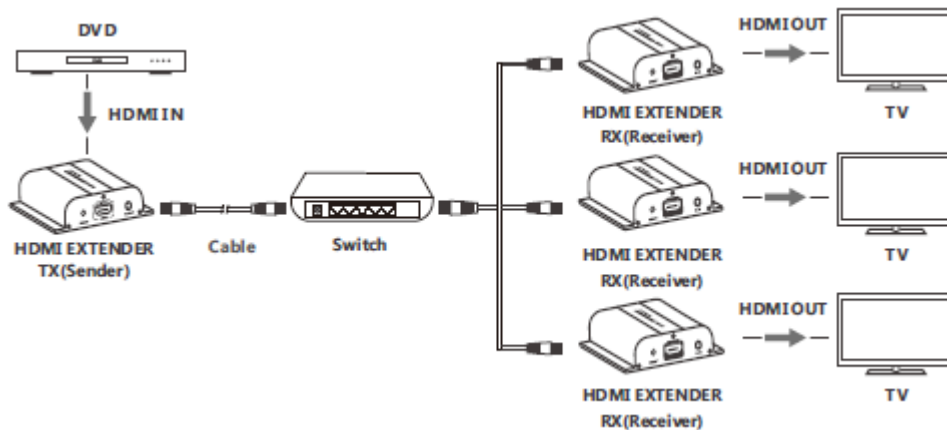
5.2.2 Router Connection:

By using network router/repeater, realize unlimited extension.



5.2.3 One-to-many Connection:

By using network router/switch , one sender to several receivers, realize extender & splitter function.



Note: Gigabit (1000Mbps) switcher is Recommended in LAN transmission.

5.3. IR User Guide

IR blaster extension cable should plug-in the IR-out port of TX (Sender) of HDMI extender, and the IR receiver extension cable should plug-in the IR-out port of the RX (Receiver) of HDMI extender. The emitter of IR blaster should as close as possible to the IR receiver of the signal source device.

Using the IR remote controller of the signal source device towards the IR receiver (connected to the RX of HDMI extender), to remote control source media playback.

6. FAQ

Q: TV display "Waiting for connection" on the right corner ?

A: Please check if the power supply of TX (Sender) and switcher(if used) is connected, and make sure connecting cable is firmly;

Q: TV display "Please check the TX input signal" ?

A: 1) please check if there is a HDMI signal input of TX;

2) Try to connect the signal source directly to display device to see if there is signal output from source device, or change the signal source, HDMI wire and try again.

Q: Display not fluent, not stable?

A: 1) Please check the cable length between the TX to switch, the switch to the RX and the connection between each level is within the required range;

2) Click the "reset" button on the TX/RX front panel, , reset and reconnect.

7. Technical Specification

Items	Specifications
HDMI Signal	Compatible with HDCP1.2
Transport protocol	HDbitT
Supports resolutions	480i@60Hz, 480p@60Hz, 576i@50Hz, 576p@50Hz, 720p@50/60Hz, 1080i@50/60Hz, 1080p@50/60Hz
Network Cable	UTP/STP Cat5/5e/6

Transmission distance	Up to 120 meters transmission distance for 1080P Full HD over single CAT6
IR Signal	Supports 20~60KHz IR devices
Working Temperature	0°C ~ 60°C
Power Supply	DC5V/1A
Power Consumption	TX : 3.5W ; RX : 3W
Dimensions	130(W) x84(D) x23.2(H)mm *2pcs
Weight	TX:250g RX: 200g
Color	Black

Disclaimer

The product name and brand name may be registered trademark of related manufactures. ? and ? may be omitted on the user manual.

The pictures in this user manual are just for reference. The terms HDMI, HDMI High-Definition Multimedia Interface, and the HDMI Logo are trademarks or registered trademarks of HDMI Licensing Administrator, Inc. We reserve the rights to make changes without further notice to a product or system described herein to improve reliability, function or design.

