



Icron USB 3-2-1 Raven™ 3104
4-Port USB 3.1, 100m CAT 6a/7
Point-to-Point Extender System

Quick Start Guide

For additional details on configuration and operation of your USB 3-2-1 Raven 3104, refer to the complete user guide available online at:

icron.com/3104

For technical support with this product, contact:

icron.com/support

Package Contents:

- 1x Icron USB 3-2-1 Raven 3104 LEX
- 1x Icron USB 3-2-1 Raven 3104 REX
- 1x USB 3.1 Gen 1 Cable
- 1x 24V 1A AC Adapter
- 1x 24V 2.71A AC Adapter
- 2x Country Specific Power Cords
- 1x Quick Start Guide

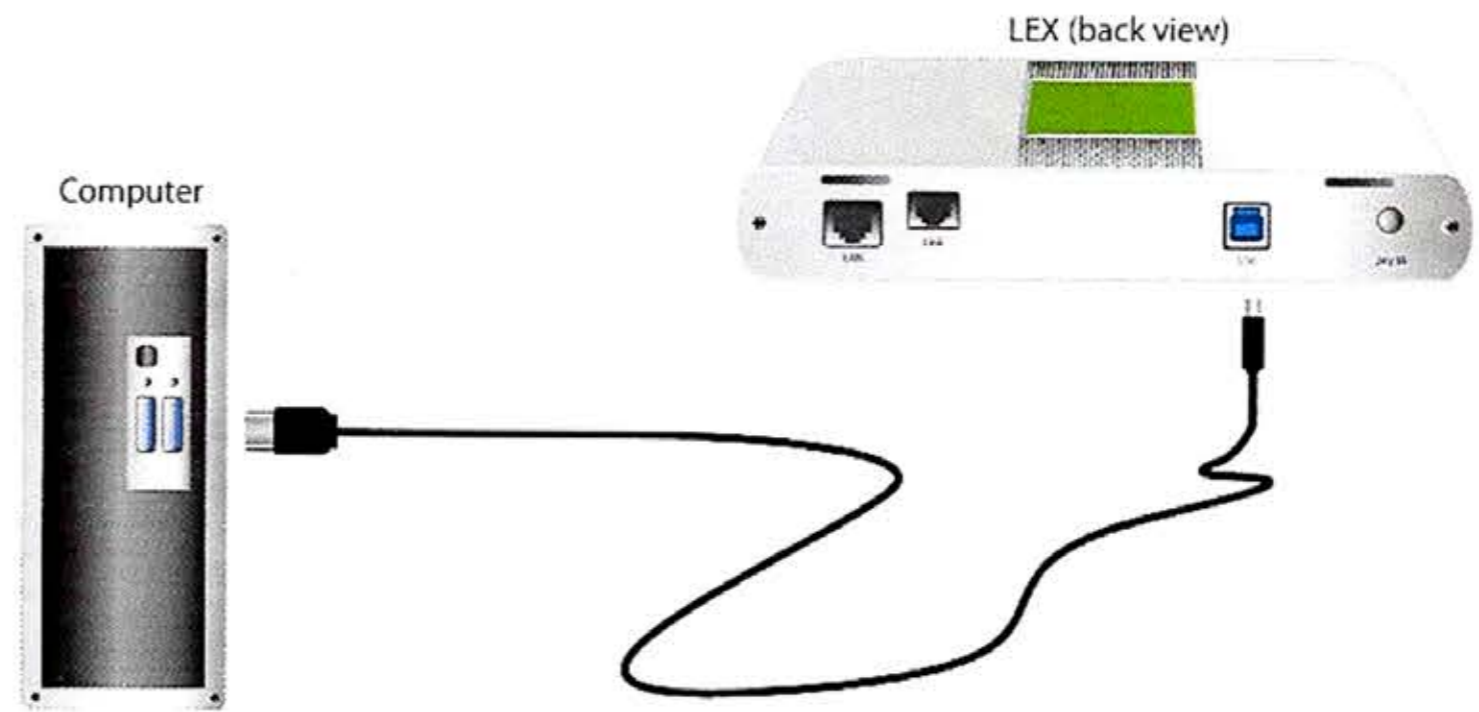


Before you get started, ensure that all the drivers required for your USB device(s) are installed.
LEX = Local Extender, REX = Remote Extender

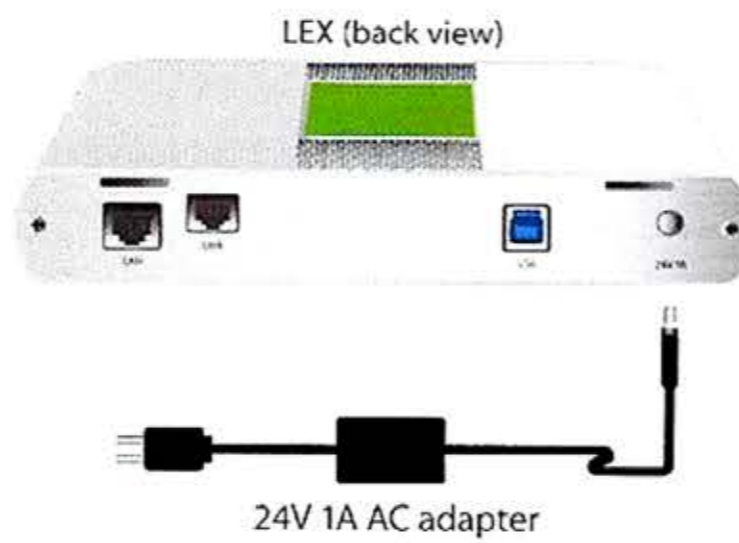
- 1 Place extenders where desired and connect the CAT 6a/7 cable to the Link ports on the LEX and REX.



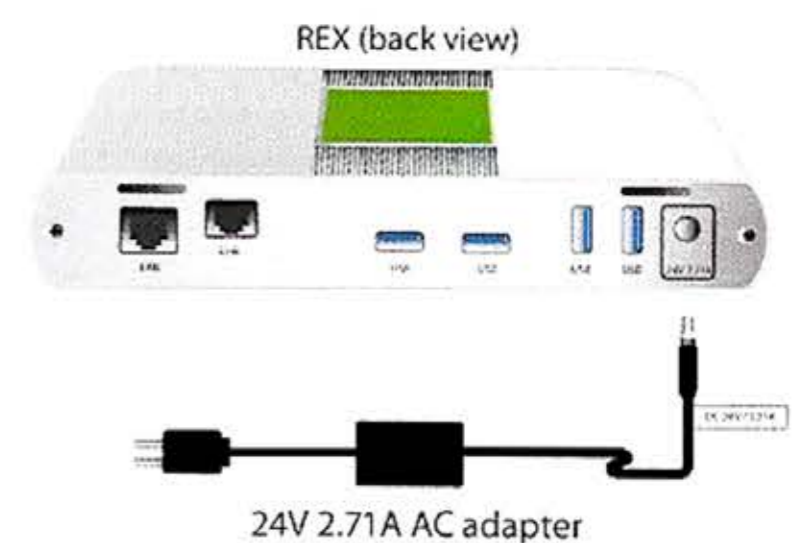
- 2 Connect the LEX to the computer's USB 3 port using the included USB cable.



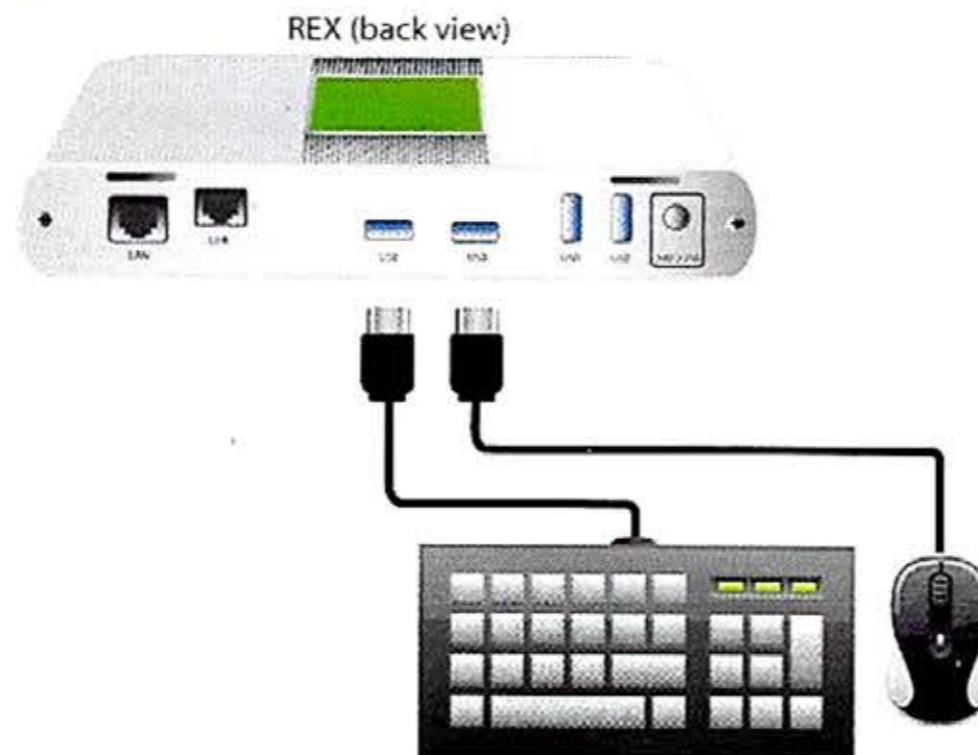
- 3 Power the LEX with the included 24V 1A AC adapter and tighten the locking ring.



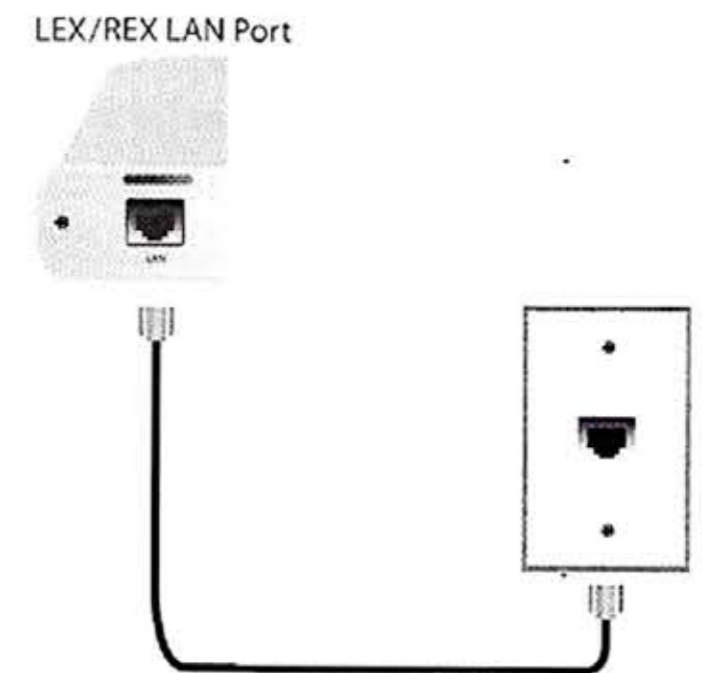
- 4 Power the REX with the included 24V 2.71A AC adapter and tighten the locking ring.



- 5 Attach USB device(s) to the REX.



- 6 Optional: Connect LEX and REX LAN ports to a network or device as necessary.



Includes the ExtremeUSB-C™ suite of features:



- Transparent USB extension supporting USB 3, 2 and 1
- True plug and play; no software drivers required
- Works with all major operating systems: Windows®, macOS™, Linux® and ChromeOS™



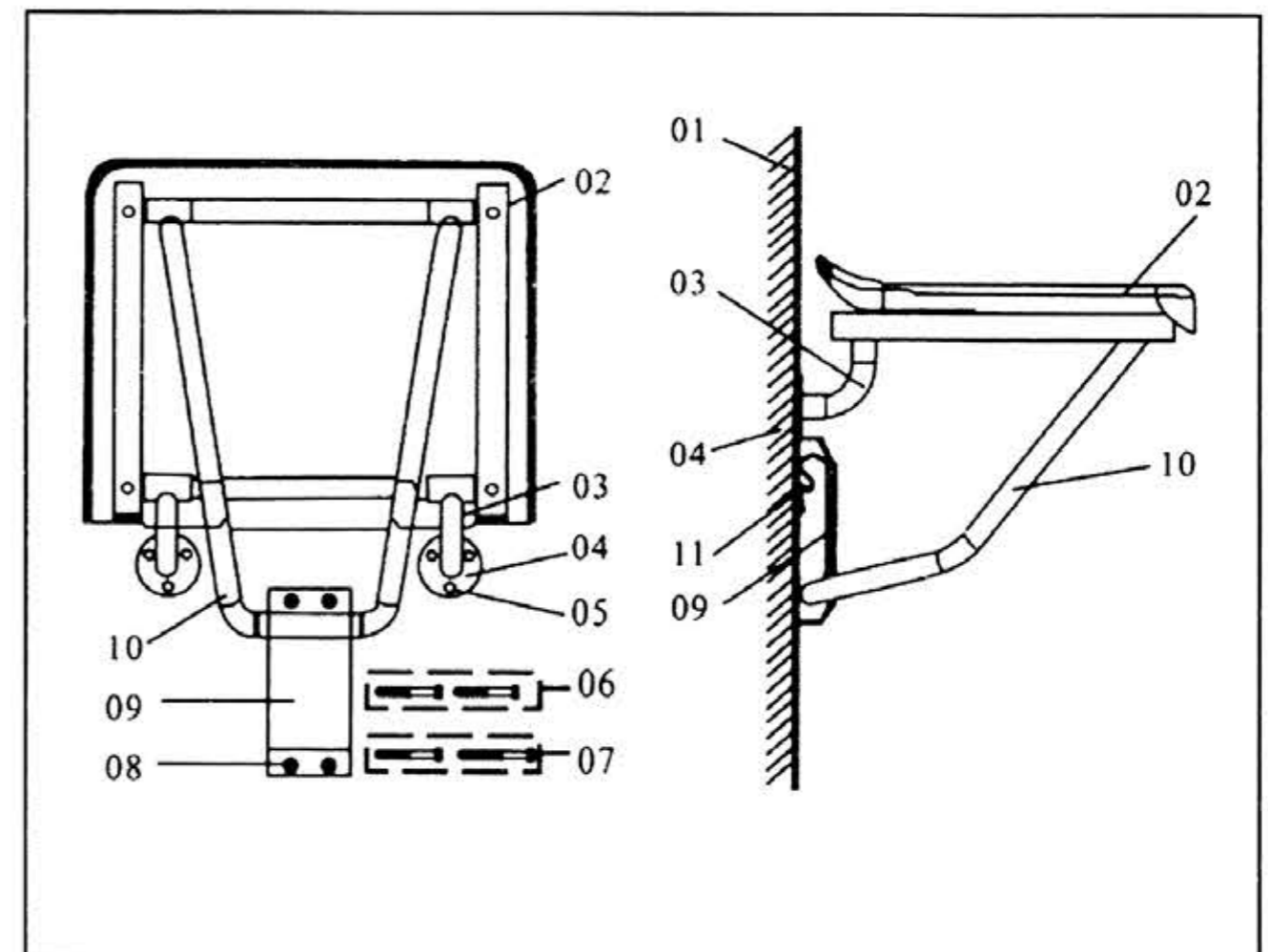
CABLEMATIC

Installation manual

Thank you for choosing our product, please read the installation manual before usage to avoid installation difficulty.

Figure

1. wall
2. seat
3. left and right support brackets
4. fix mount for brackets
5. screw eye for 5*50mm expand screw
6. 5*50mm expand screw set
7. 5*75mm expand screw set
8. screw eye for 5*75mm expand screw
9. bracket sliding slot
10. exterior support bracket
11. sliding slot block

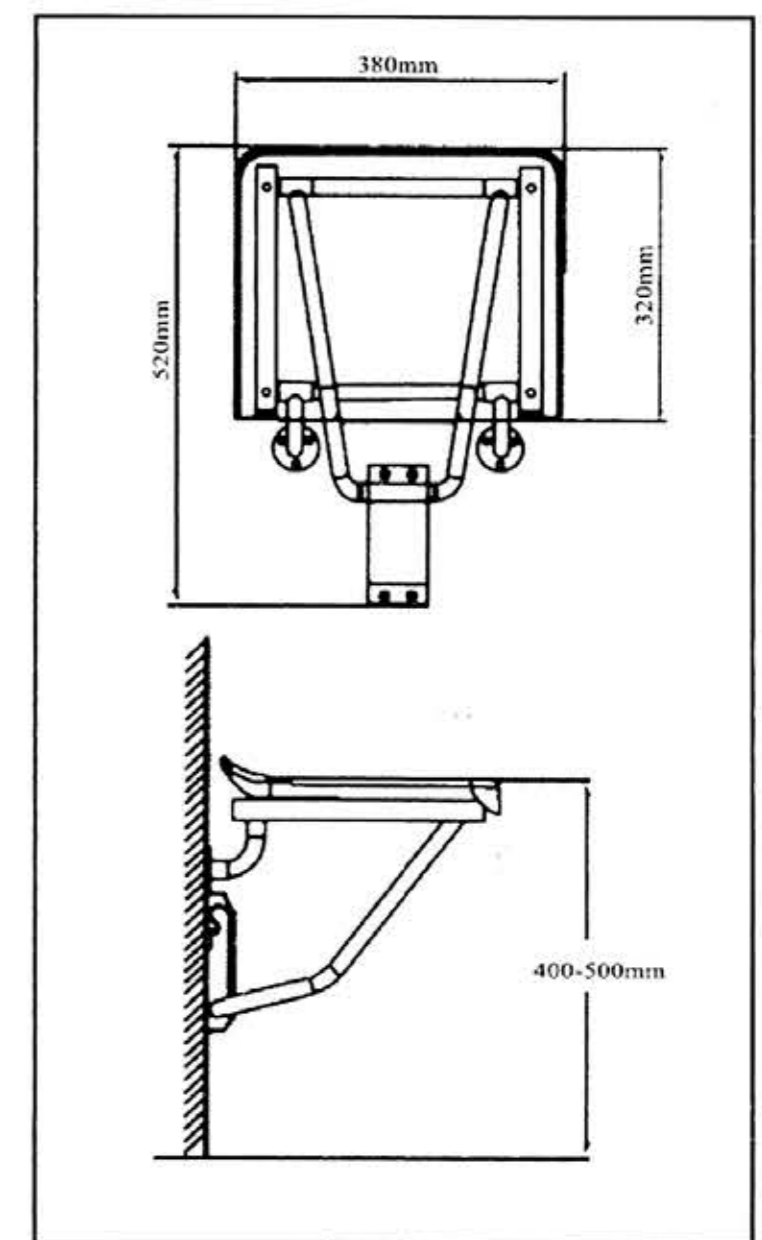


Attention

Max capacity: 160kg
Install to flat concrete wall

Packing list

Number	Name of components	Quantity	remark
1	Seat components set	1	
2	Bracket slot	1	
3	5*50mm expand bolt set	6	
4	5*75mm expand bolt set	4	
5	Installation manual	1	



Installation step

1. Place the seat (02) face to the wall (01), keep straight, bottom 400-500mm vertical above the ground. Left and right support brackets (03) abut against the edge of the seat, and place the fix mount of the brackets (04) abut against to the wall, mark down all 6 screw eyes (05), take down the seat (02), use 8mm drill to drill 50mm deep holes on marked places, insert expand screw caps to those holes. (see figure 1)
2. Put seat into place, screw down left and right support brackets (04) using 5*50mm screw (06) to those expand screw caps. (see figure 1)
3. Place the bracket sliding slot (09) on top of the exterior support bracket, notice the side with block should be on top. Lower the seat (02) to level (or the front a bit higher), move the slot (09) up along the wall to vertex, so the bottom is in the middle of exterior support bracket (10), keep it vertical, mark down 4 places for expand screw (08), close the seat (02), drill 60mm deep hole with 8mm drill, then insert expand screw cap (07) into those holes. (see figure 2)
4. The slot (09) should still seat on top of the exterior support brackets (10), screw down 5*75mm screws (07) into those expand screw caps, tight up all now ready for use. (see figure 2) expand screws, lower the seat (02), it is now ready for use (see figure 3)

