

TOLSEN

79606

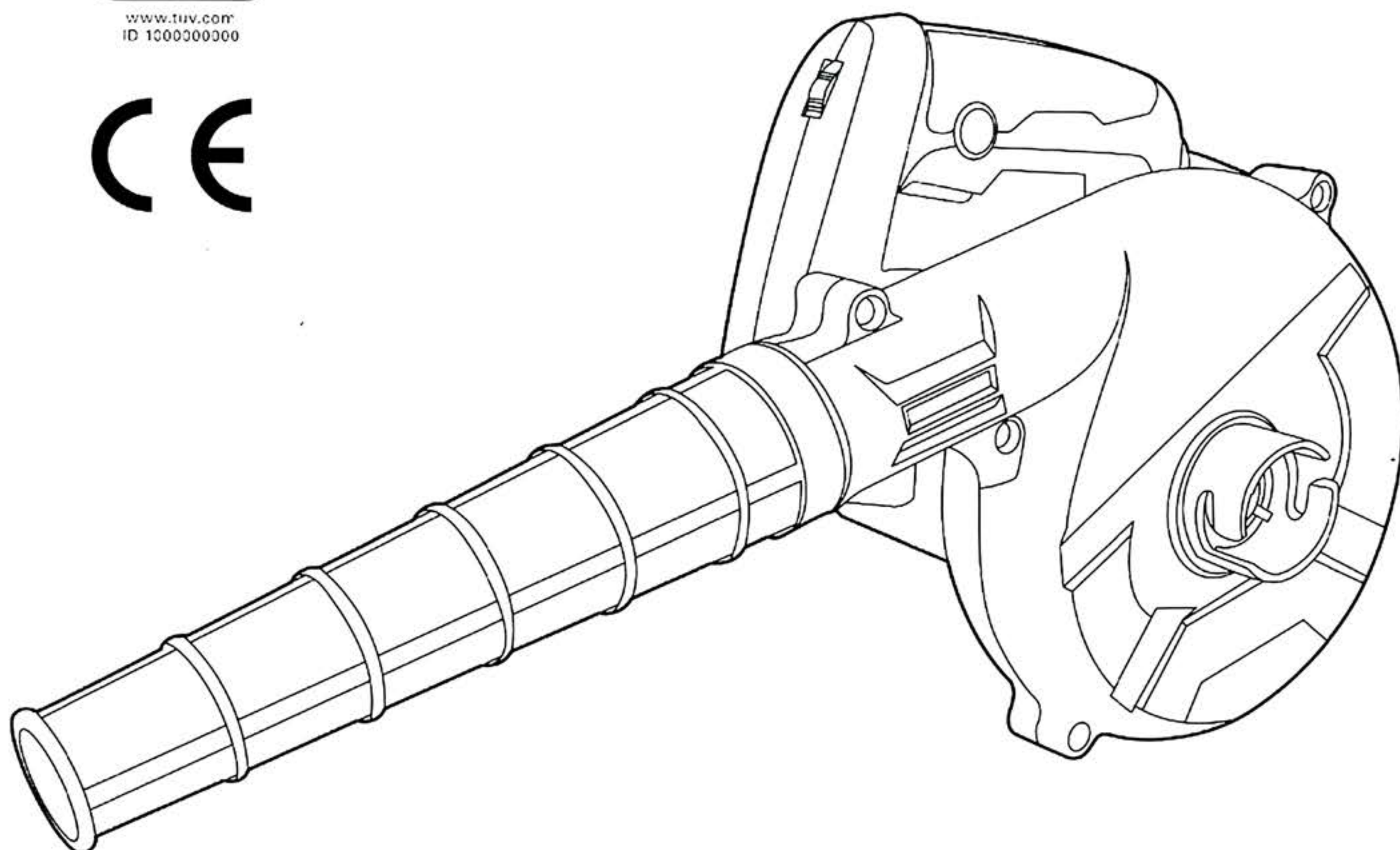
INDUSTRIAL

VARIABLE SPEED BLOWER

INSTRUCTION MANUAL

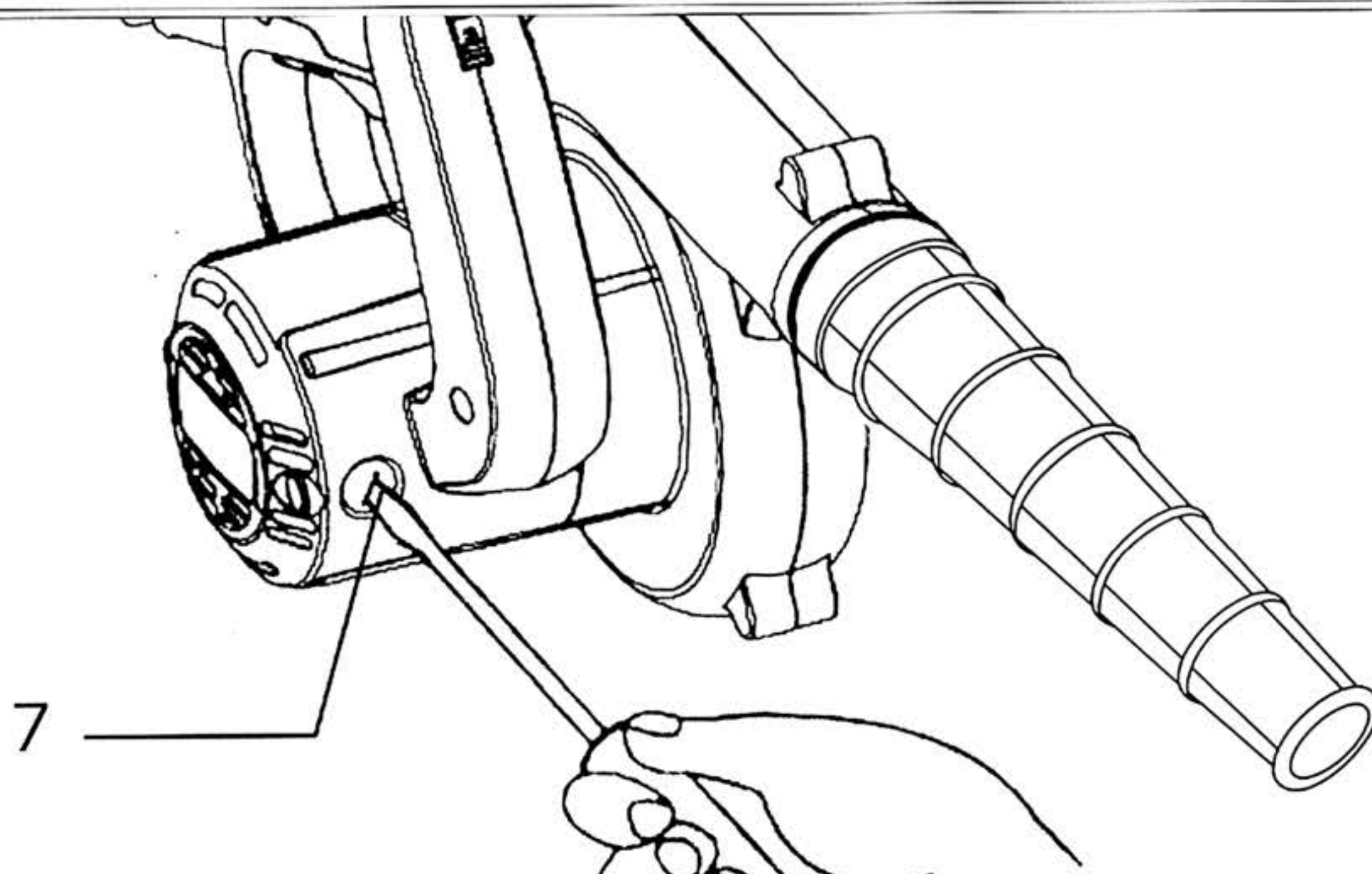
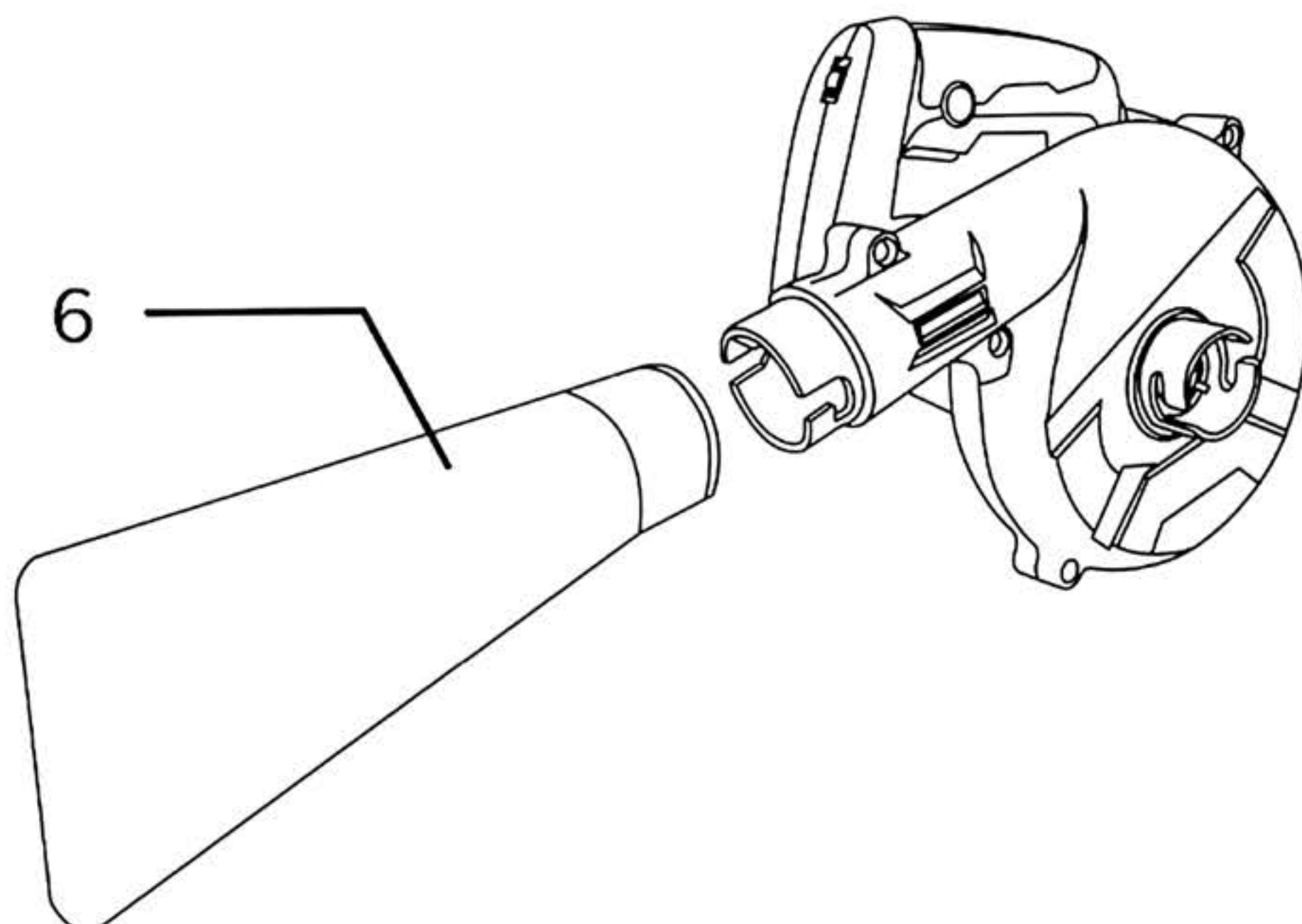
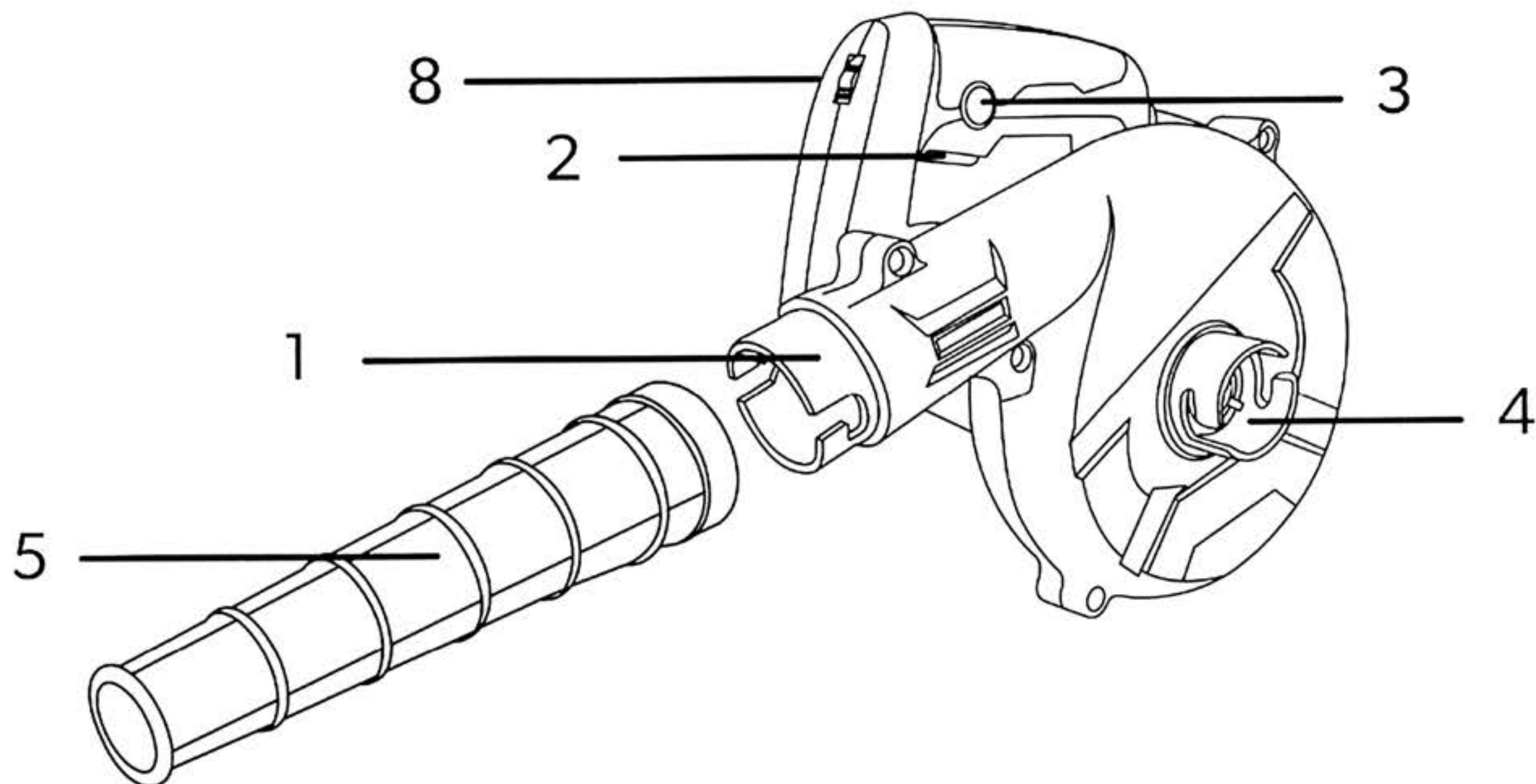


www.tuv.com
ID 100030000



BUY ON

www.cablematic.com



1. SAFETY INSTRUCTIONS



Read the enclosed safety warnings, the additional safety warnings and the instructions. Failure to follow the safety warnings and the instructions may result in electric shock, fire and/or serious injury. **Save the safety warnings and the instructions for future reference.**

The following symbols are used in the user manual or on the product:



Read the user manual.



Do not use in wet conditions or expose it to rain



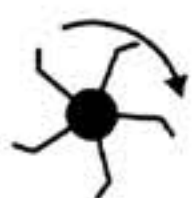
Always wear eye protection!



Wear hearing protection.



Risk of flying objects. Keep bystanders away from the work area.



Do not touch the fan. The fan blades will continue to rotate for a short time after machine is switched off.



Risk of electric shock



Class II machine - Double insulation - You don't need an earthed plug.

General safety instructions



WARNING! Read all safety warnings and all instructions. Failure to follow the warnings and instructions may result in electric shock, fire and/or serious injury.

Save all warnings and instructions for future reference.

The term "power tool" in the warnings refers to your mains-operated (corded) power tool or battery-operated (cordless) power tool.

1) Work area safety

- a) **Keep work area clean and well lit.** Cluttered or dark areas invite accidents.
- b) **Do not operate power tools in explosive atmospheres, such as in the presence of flammable liquids, gases or dust.** Power tools create sparks which may ignite the dust or fumes.
- c) **Keep children and bystanders away while operating a power tool.** Distractions can cause you to lose control.

2) Electrical safety

- a) **Power tool plugs must match the outlet. Never modify the plug in any way. Do not use any adapter plugs with earthed (grounded) power tools.** Unmodified plugs and matching outlets will reduce risk of electric shock.
- b) **Avoid body contact with earthed or grounded surfaces, such as pipes, radiators, ranges and refrigerators.** There is an increased risk of electric shock if your body is earthed or grounded.
- c) **Do not expose power tools to rain or wet conditions.** Water entering a power tool will increase the risk of electric shock.
- d) **Do not abuse the cord. Never use the cord for carrying, pulling or unplugging the power tool. Keep cord away from heat, oil, sharp edges or moving parts.** Damaged or entangled cords increase the risk of electric shock.
- e) **When operating a power tool outdoors, use an extension cord suitable for outdoor use.** Use of a cord suitable for outdoor use reduces the risk of electric shock.

- f) If operating a power tool in a damp location is unavoidable, use a residual current device (RCD) protected supply. *Use of an RCD reduces the risk of electric shock.*

3) Personal safety

- a) **Stay alert, watch what you are doing and use common sense when operating a power tool. Do not use a power tool while you are tired or under the influence of drugs, alcohol or medication. A moment of inattention while operating power tools may result in serious personal injury.**
- b) **Use personal protective equipment. Always wear eye protection. Protective equipment such as dust mask, non-skid safety shoes, hard hat, or hearing protection used for appropriate conditions will reduce personal injuries.**
- c) **Prevent unintentional starting. Ensure the switch is in the off-position before connecting to power source and/or battery pack, picking up or carrying the tool. Carrying power tools with your finger on the switch or energising power tools that have the switch on invites accidents.**
- d) **Remove any adjusting key or wrench before turning the power tool on. A wrench or a key left attached to a rotating part of the power tool may result in personal injury.**
- e) **Do not overreach. Keep proper footing and balance at all times. This enables better control of the power tool in unexpected situations.**
- f) **Dress properly. Do not wear loose clothing or jewellery. Keep your hair, clothing and gloves away from moving parts. Loose clothes, jewellery or long hair can be caught in moving parts.**
- g) **If devices are provided for the connection of dust extraction and collection facilities, ensure these are connected and properly used. Use of dust collection can reduce dust related hazards.**

4) Power tool use and care

- a) **Do not force the power tool. Use the correct power tool for your application. The correct power tool will do the job better and safer at the rate for which it was designed.**
- b) **Do not use the power tool if the switch does not turn it on and off. Any power tool that cannot be controlled with the switch is dangerous and must be repaired.**
- c) **Disconnect the plug from the power source and/or the battery pack from the power tool before making any adjustments, changing accessories, or storing power tools. Such preventive safety measures reduce the risk of starting the power tool accidentally.**
- d) **Store idle power tools out of the reach of children and do not allow persons unfamiliar with the power tool or these instructions to operate the power tool. Power tools are dangerous in the hands of untrained users.**
- e) **Maintain power tools. Check for misalignment or binding of moving parts, breakage of parts and any other condition that may affect the power tool's operation. If damaged, have the power tool repaired before use. Many accidents are caused by poorly maintained power tools.**
- f) **Keep cutting tools sharp and clean. Properly maintained cutting tools with sharp cutting edges are less likely to bind and are easier to control.**
- g) **Use the power tool, accessories and tool bits etc. in accordance with these instructions, taking into account the working conditions and the work to be performed. Use of the power tool for operations different from those intended could result in a hazardous situation.**

5) Service

- a) **Have your power tool serviced by a qualified repair person using only identical replacement parts. This will ensure that the safety of the power tool is maintained.**

BUY ON

www.cablematic.com

Additional safety instructions for blowers

- This appliance is not intended for use by persons (including children) with reduced physical, sensory or mental capabilities, or lack of experience and knowledge, unless they have been given supervision or instruction concerning use of the appliance by a person responsible for their safety.
- Children should be supervised to ensure that they do not play with the appliance.
- This tool is intended for household use only.
- Only use attachments recommended in this manual.
- Keep ventilation openings free of anything that may reduce the air flow.
- Do not use to pick up anything that is burning or smoking, such as cigarettes, matches, freshly cut metal shavings or hot ashes.
- Do not use to pick up flammable or combustible liquids such as gasoline or use in areas where they may be present.
- Do not use without dust container or and filter in place.
- Do not use outdoors or on wet surfaces.
- Use extra care when using on stairs.
- Always use protective goggles, a cap and mask when using the blower.
- Never point the nozzle at anyone in the vicinity when using the blower.
- Always use the dust bag when collecting dust, chips and the like.
- Never operate the appliance while people, especially children, or pets are nearby.
- Do not wear loose clothing or jewellery that can be drawn into the air inlet. Keep long hair away from the air inlets.
- Before using, check the supply and extension cord for signs of damage and aging.
- Do not use the appliance if the cord is damaged or worn.
- If a cord becomes damaged during use, disconnect the supply cord from the mains immediately. **DO NOT TOUCH THE CORD BEFORE DISCONNECTING THE SUPPLY.**
- Do not carry the appliance by the cable.
- Keep all nuts, bolts and screws tight to be sure the appliance is in safe working condition.
- Disconnect the appliance from the mains supply

- *whenever you leave the machine;*
- *before clearing a blockage;*
- *before checking, cleaning or working on the appliance;*
- *if the appliance starts to vibrate abnormally.*
- Check the dust bag frequently for wear or deterioration.
- Replace worn or damaged parts.
- Use only genuine replacement parts and accessories
- Store the appliance only in a dry place.

Electrical safety

Warning! When using electric tools, basic safety precautions should always be followed to reduce the risk of fire, electric shock and personal injury. Read all these instructions before attempting to operate this product and save these instructions.



Always check that the power supply corresponds to the voltage on the rating plate.



The machine is double insulated in accordance with EN60745; therefore no earth wire is required.

Replacing cables or plugs

If the replacement of the supply cord is necessary, this has to be done by the manufacturer or his agent in order to avoid a safety hazard.

Using extension cables

Only use an approved extension cable suitable for the power input of the machine. The minimum conductor size is 1.5 mm². When using a cable reel always unwind the reel completely.

2. MACHINE INFORMATION

Intended use

The blower has been design for blowing & cleaning applications as well as for light suction purposes.

Technical specifications

Voltage:	220 - 240 V~
Frequency:	50 Hz
Power input:	600 W
No load speed:	6000-16000/min
Max. air speed:	3.5 m ³ /min
Nozzle diameter:	25 mm
Sound pressure (Lpa):	82.1 dB (A) K=2.5 dB (A)
Sound power (Lwa):	95 dB (A) K=2.5 dB (A)
Vibration:	2.994 m/s ² K=1.5 m/s ²

Vibration level

The vibration emission level stated in this instruction manual has been measured in accordance with a standardised test given in EN 60335; it may be used to compare one tool with another and as a preliminary assessment of exposure to vibration when using the tool for the applications mentioned

- using the tool for different applications, or with different or poorly maintained accessories, may significantly increase the exposure level
- the times when the tool is switched off or when it is running but not actually doing the job, may significantly reduce the exposure level

Protect yourself against the effects of vibration by maintaining the tool and its accessories, keeping your hands warm, and organizing your work patterns

Description

The numbers in the text refer to the diagrams on pages 2-3

Fig. A - C

1. Outlet
2. On/Off Switch
3. Lock-on button
4. Suction port
5. Nozzle
6. Dust bag
7. Carbon brush cap
8. Variable speed wheel

3. OPERATING



Before adding or removing the nozzle from the machine, first remove the power plug from the wall socket.

Mounting accessories

Dust blower function

Fig. A + B

- Attach the nozzle (5) to the outlet (1).
- Turn the nozzle (5) clockwise to lock it in place.

Dust suction function

Fig. A + C

- Attach the nozzle (5) to the suction port (4).
- Attach the dustbag (6) to the outlet (1).

After use, always empty the contents of the dust bag in a dust bin. Open the zipper to release the dust from the dust bag.

Operation

The On/Off switch

Fig A.

- Switch the machine on by pressing the On/Off switch (2).
- Releasing the On/Off switch (2) will turn the machine off again.

Switch-lock

Fig. A.

- Lock the On/Off switch by pressing the On/Off switch (2) and then pressing the lock-on button (3).
- Release the switch lock again by pressing the On/Off switch (2) shortly.

Adjusting the air speed

Fig. A.

The air speed can be adjusted by the dial wheel on top of the machine.

- To increase the air speed turn the variable speed wheel (8) up (to higher number)
- To decrease the air speed turn the variable speed wheel (8) down (to lower number)

BUY ON

www.cablematic.com

4. MAINTENANCE

Cleaning

Clean the machine casings regularly with a soft cloth, preferably after each use. Make sure that the ventilation openings are free of dust and dirt. Remove very persistent dirt using a soft cloth moistened with soapsuds. Do not use any solvents such as gasoline, alcohol, ammonia, etc. Chemicals such as these will damage the synthetic components.

Inspecting and replacing the carbon brushes

The motor has 2 carbon brushes which will wear out during use. It's important to check the status of the carbon brushes, a worn-out carbon brush might result in bad performance and motor damage.

Removing carbon brushes

Fig C.

- Ensure the mains plug is removed from the wall socket.
- Remove the 2 carbon brush covers (7) on both sides of the motor housing by using a screw driver (turn counterclockwise).
- Remove the carbon brushes by pulling them out.

Inserting carbon brushes again

Fig C.

- Ensure the mains plug is removed from the wall socket.
- Insert the carbon brushes again and push the spring in gently. Make sure they slide in fluently.
- Add the carbon brush cover while ensuring yourself the metal plate is fitting nicely.
- Fix the carbon brush covers (7) again by turning them clockwise (by using a screw driver).
- After both carbon brushes are re-installed again, test if machine is running smoothly without sparks.

ENVIRONMENT



Faulty and/or discarded electrical or electronic apparatus have to be collected at the appropriate recycling locations

Only for EC countries

Do not dispose of power tools into domestic waste. According to the European Guideline 2012/19/EC for Waste Electrical and Electronic Equipment and its implementation into national right, power tools that are no longer usable must be collected separately and disposed of in an environmentally friendly way.

The product and the user manual are subject to change. Specifications can be changed without further notice.

BUY ON

www.cablematic.com