

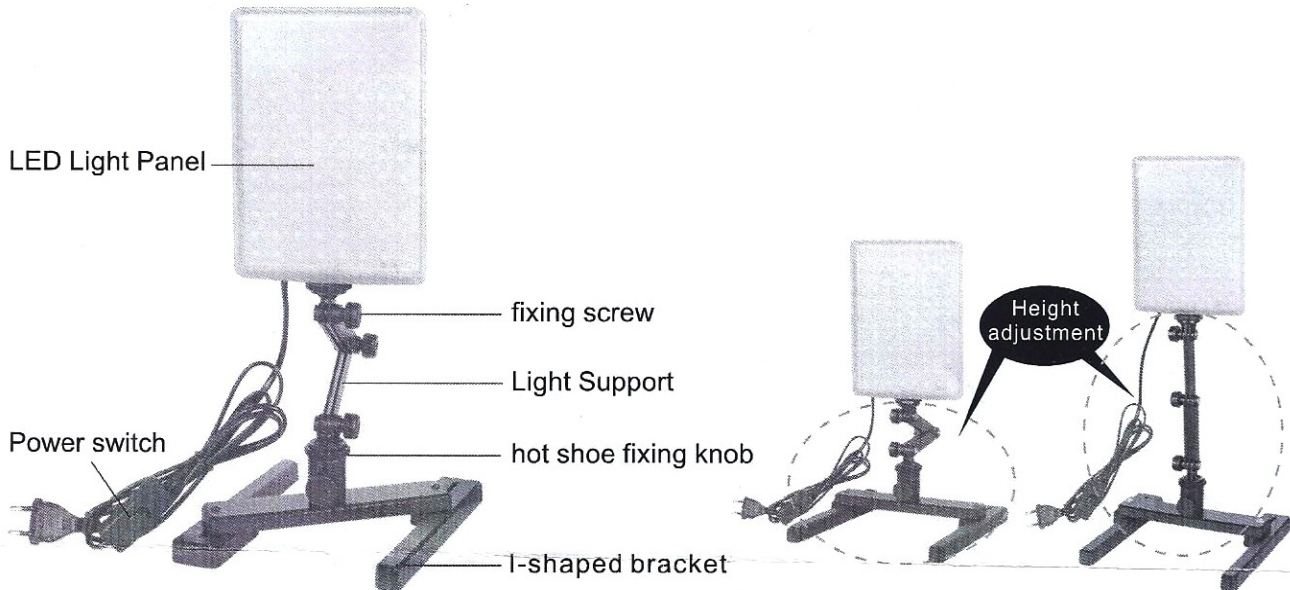
On Camera LED Light

Instruction Sheet

Extra Parameters:

LED Bulbs Amount:	96 PCS	Voltage:	110V-240V
Total Power:	18W	Color Temperature:	5600K

Components:



- 1 Power switch: For on/off the lighting.
- 2 Fixing screw: For adjusting LED lighting angle and height.
- 3 I-shaped bracket: For supporting LED lighting, to adjust the balance according to the core of the lighting.
- 4 Support, fixing knob of hot shoe: For connecting and fixing the LED lighting with camera apparatus.

Instructions:

Mount the lighting on a light stand with a suitable direction.

Please check if the power is off, then connect the power, turn on the power and use.

Notice:

1. This light is suitable for digital camera.
2. After receiving the light, please check if any damage caused by transportation. If there is damage caused by transportation, please do not use the light and contact with the distributor or the manufacturer ASAP.
3. Please do not mount the light directly on the surface of the common combustible material. Keep the light dry and keep it away from wet, hot or dusty condition, prevent the light from water or other liquids.
4. Before installation, please make sure the power voltage you use should be according to the voltage indicated on the lamp, please do not open and repair the lamp yourself when the power is on.
5. Please do not use the power cord which is with bad insulating layer, and do not pull the plug or drag the power cord directly.