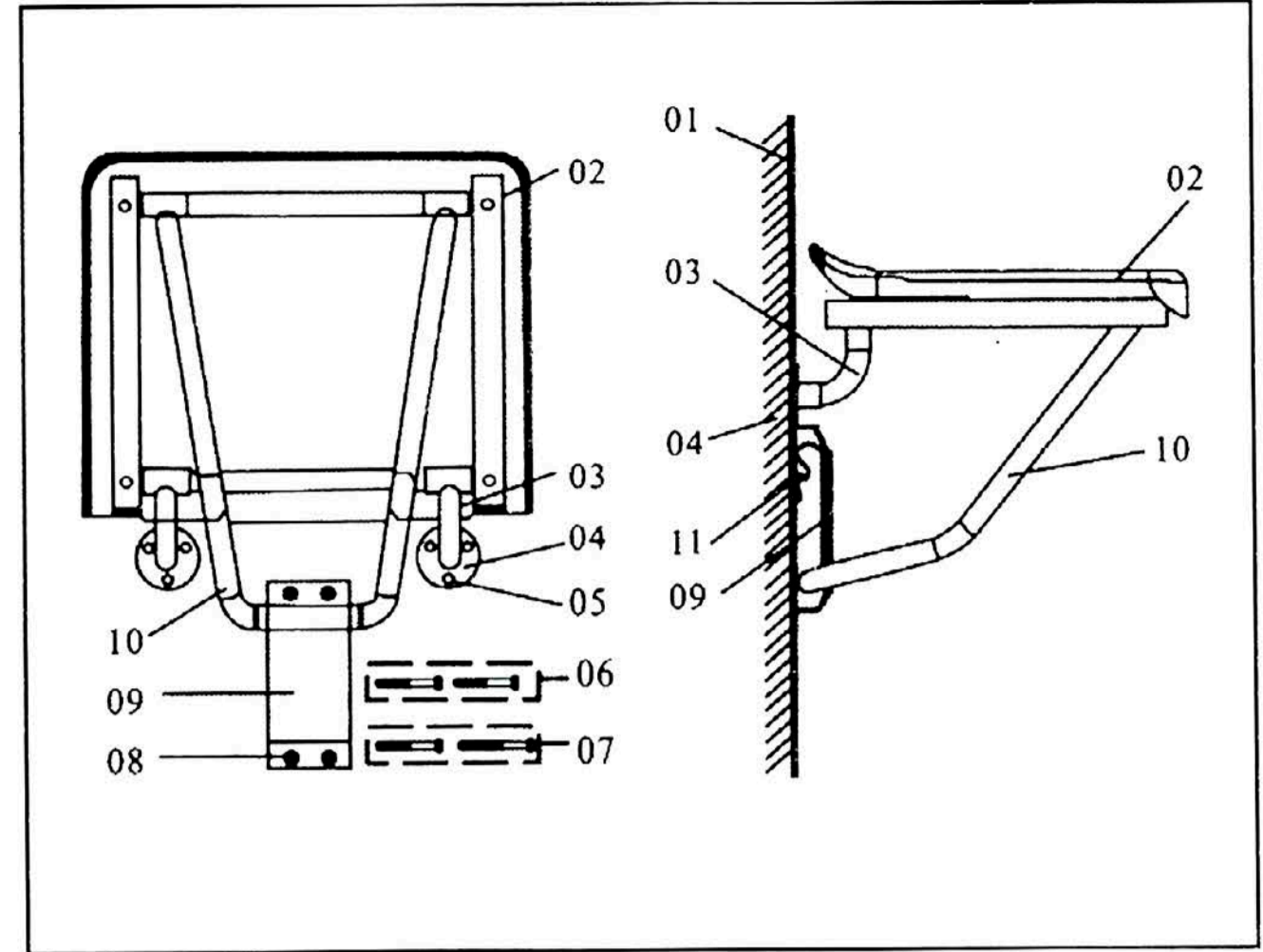


Installation manual

Thank you for choosing our product, please read the installation manual before usage to avoid installation difficulty.

Figure

1. wall
2. seat
3. left and right support brackets
4. fix mount for brackets
5. screw eye for 5*50mm expand screw
6. 5*50mm expand screw set
7. 5*75mm expand screw set
8. screw eye for 5*75mm expand screw
9. bracket sliding slot
10. exterior support bracket
11. sliding slot block

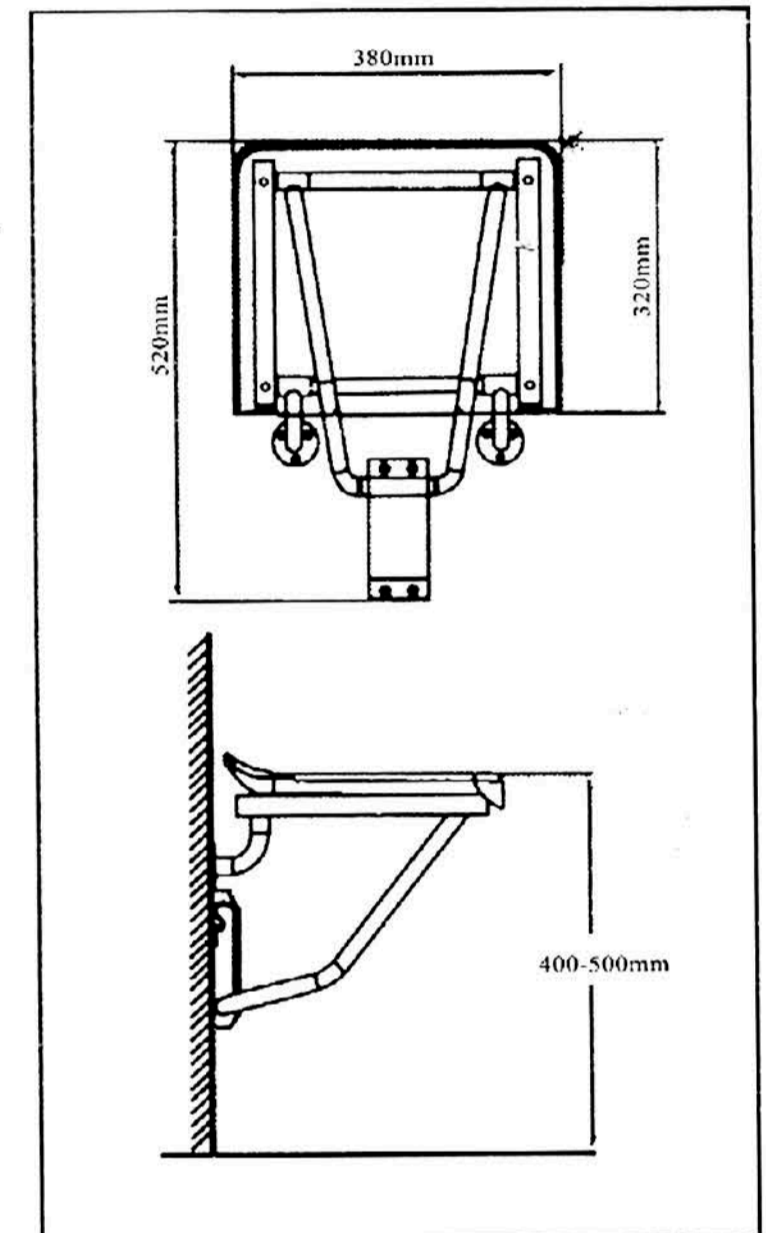


Attention

Max capacity: 160kg
 Install to flat concrete wall

Packing list

| Number | Name of components | Quantity | remark |
|--------|------------------------|----------|--------|
| 1 | Seat components set | 1 | |
| 2 | Bracket slot | 1 | |
| 3 | 5*50mm expand bolt set | 6 | |
| 4 | 5*75mm expand bolt set | 4 | |
| 5 | Installation manual | 1 | |



Installation step

1. Place the seat (02) face to the wall (01), keep straight, bottom 400-500mm vertical above the ground. Left and right support brackets (03) abut against the edge of the seat, and place the fix mount of the brackets (04) abut against to the wall, mark down all 6 screw eyes (05), take down the seat (02), use 8mm drill to drill 50mm deep holes on marked places, insert expand screw caps to those holes. (see figure 1)
2. Put seat into place, screw down left and right support brackets (04) using 5*50mm screw (06) to those expand screw caps. (see figure 1)
3. Place the bracket sliding slot (09) on top of the exterior support bracket, notice the side with block should be on top. Lower the seat (02) to level (or the front a bit higher), move the slot (09) up along the wall to vertex, so the bottom is in the middle of exterior support bracket (10), keep it vertical, mark down 4 places for expand screw (08), close the seat (02), drill 60mm deep hole with 8mm drill, then insert expand screw cap (07) into those holes. (see figure 2)
4. The slot (09) should still seat on top of the exterior support brackets (10), screw down 5*75mm screws (07) into those expand screw caps, tight up all now ready for use. (see figure2) expand screws, lower the seat (02), it is now ready for use (see figure 3)

