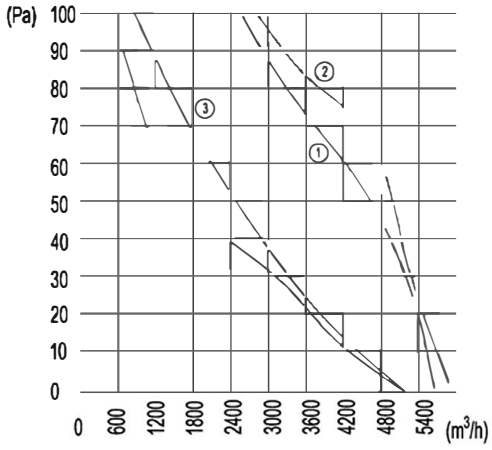
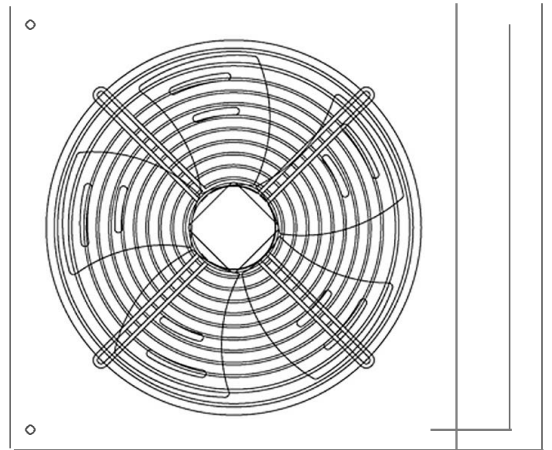
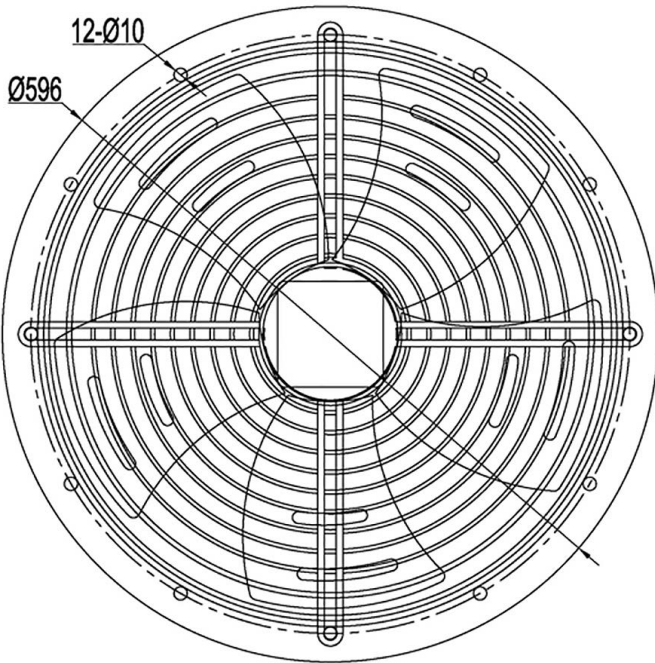


/Airflow curves:



CABLEMATIC



B
Air Flow
S
Air Flow

