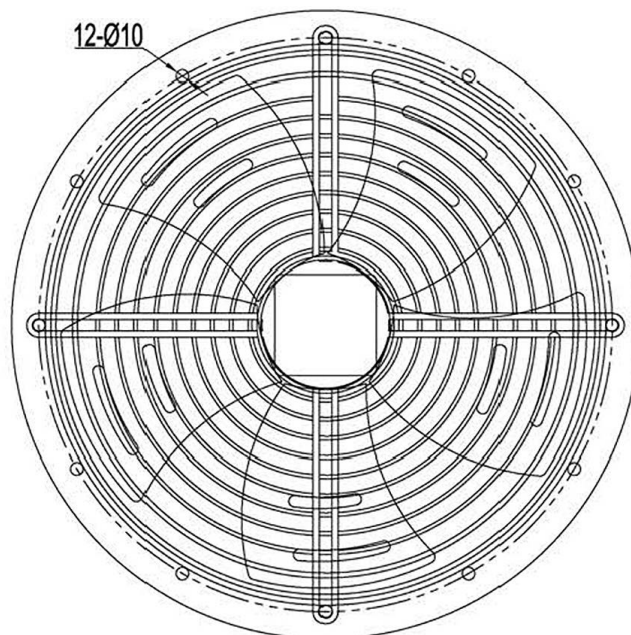
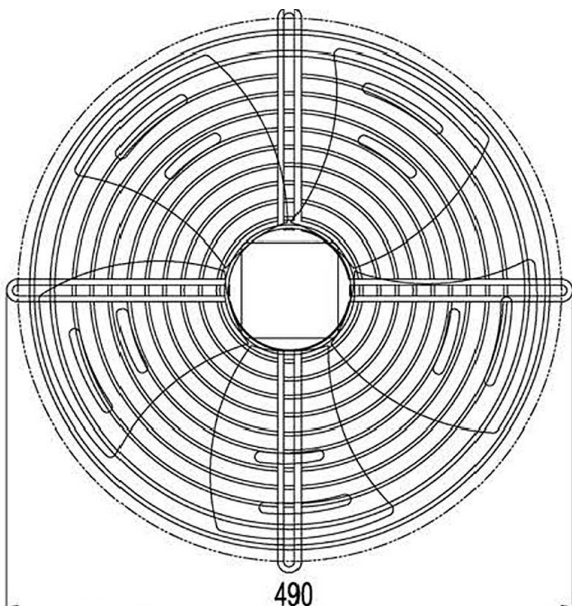
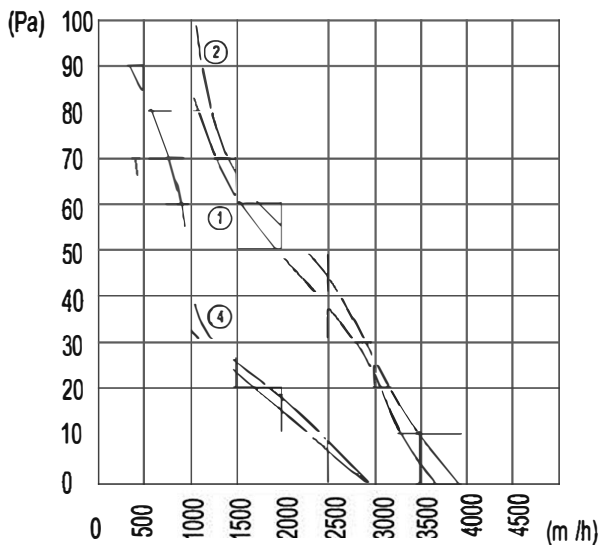


/Airflow curves:



B
Air Flow

S
Air Flow

